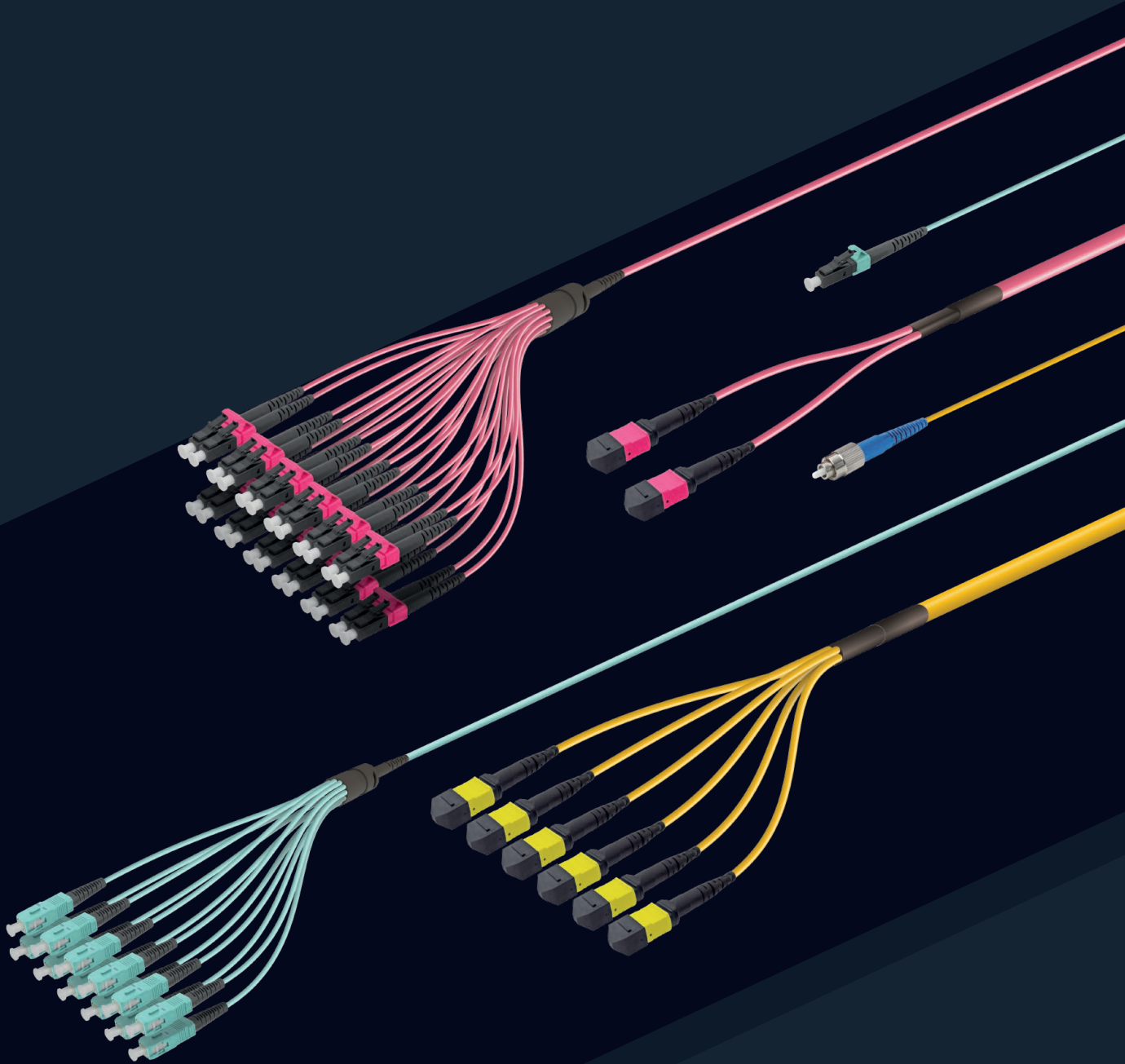




CABLING
SOLUTIONS



INDOOR FIBER OPTIC ASSEMBLIES



Founded in 2003, SAMP Technology offers cutting-edge products and services in the fields of telecommunication infrastructure and data center by producing in line with the expectations and needs of its customers.

With more than 20 years of experience, SAMP Technology has become one of the important suppliers of Europe in terms of capacity, technology and innovation by continuously investing in production, technology, R&D and people.

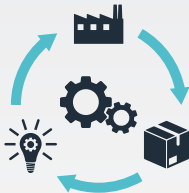
SAMP Teknoloji produces high performance fiber optic cables, fiber optic cable assemblies, data center infrastructure products and structured cabling solutions in its two factories located in the Gosb/Gebze industrial zone.

SAMP also has a ministry-approved research and development center since 2017.



20+ Years' Experience

With more than 200 employees and 2 factories, we have achieved several significant projects in telecommunication fiber optic infrastructure.



World Class Production

With systematic and scientific methods, we always focus on reaching the highest quality in our fiber optic cable production and assembly lines.



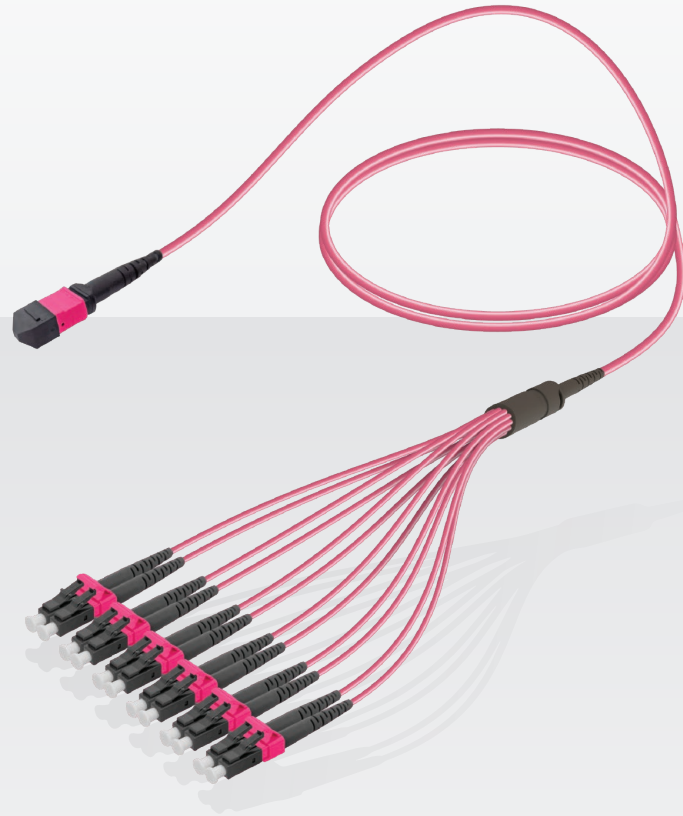
Connecting Continents

An advantageous shipping location, at the intersection of Asia, Europe and the Middle-East.



Innovative Solutions

We are passionate about responding to customer demand and keeping pace with the ever-evolving telecommunication and fiber optic technologies.

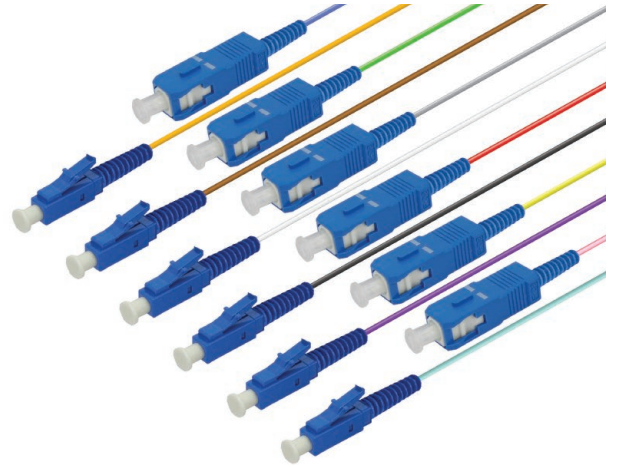


INDOOR FIBER OPTIC ASSEMBLIES

Single-Mode Pigtails

Connector Specifications

LC Connector Compliance	IEC 61754-20, TIA 604-10-A, RoHS
SC Connector Compliance	IEC 61754-4, TIA 604-3, RoHS
FC Connector Compliance	IEC 61754-13, TIA 604-4-A, RoHS
ST Connector Compliance	IEC 61754-2, TIA 604-2, RoHS
LSH Connector Compliance	IEC 61754 - 15, TIA 604 - 16, RoHS
Alignment Technology	Full ceramic ferrule (Zirconia ZrO ₂)
Operating Temperature	-40°C to +85°C
Flammability	UL94 V-0
Durability	< 0.1 dB typical change for > 500 matings



Optical Performance

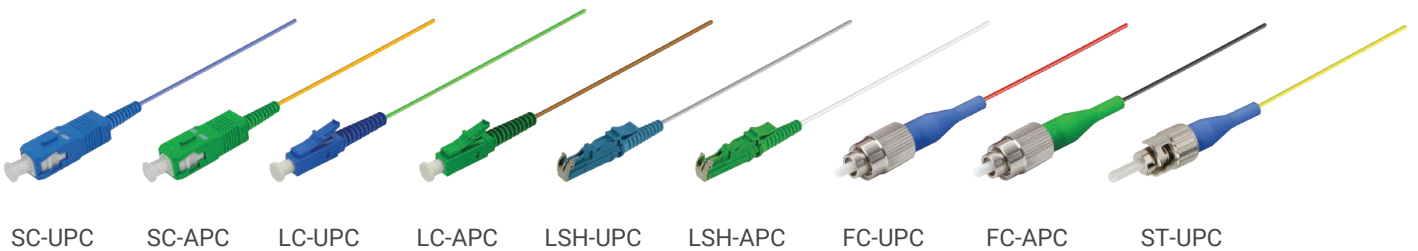
Insertion Loss IEC 61300-3-4 Method B	Single-Mode: ≤ 0.30 dB Max. 0.15 dB Typ.
Return Loss IEC61300-3-6 Method B	Single-Mode UPC: ≥ 50 dB Single-Mode APC: ≥ 60 dB

Buffer Tube Stripping Lengths

- TB (Tight Buffer) : 2-3 cm
- SB (Semi-Tight Buffer) : 30-50 cm
- EB (Easy Strip Buffer) : 100-150 cm

End-face Control Parameters

Geometry Inspection	UPC : IEC 61755-3-1 APC : IEC 61755-3-2
Visual Inspection	IEC 61300-3-35



Sample Coding

I - PT - 01 - SB - 009 - A2 - BU - LC - 005M

Type	Type	Fiber Count	Buffer Type	Diameter	Fiber Type	Color	Side A	Length
Indoor: I	Pigtail: PT	1 Fiber: 01	Tight: TB Semi-Tight: SB Easy Strip: EB	0.9 mm: 009	SM G.652 D: 2D SM G.657 A1: A1 SM G.657 A2: A2 SM G.657 B3: B3	Blue: BU Orange: OG Green: GN Brown: BN Grey: GY White: WH Red: RD Black: BK Yellow: YE Violet: VT Pink: PK Aqua: AQ	SC-UPC: SC SC-APC: SA LC-UPC: LC LC-APC: LA FC-UPC: FC FC-APC: FA ST-UPC: ST LSH-UPC: E2 LSH-APC: EA	--- M



Multi-Mode Pigtails

Connector Specifications

LC Connector Compliance	IEC 61754-20, TIA 604-10-A, RoHS
SC Connector Compliance	IEC 61754-4, TIA 604-3, RoHS
FC Connector Compliance	IEC 61754-13, TIA 604-4-A, RoHS
ST Connector Compliance	IEC 61754-2, TIA 604-2, RoHS
LSH Connector Compliance	IEC 61754 - 15, TIA 604 - 16, RoHS
Alignment Technology	Full ceramic ferrule (Zirconia ZrO ₂)
Operating Temperature	-40°C to +85°C
Flammability	UL94 V-0
Durability	< 0.1 dB typical change for > 500 matings

Buffer Tube Stripping Lengths

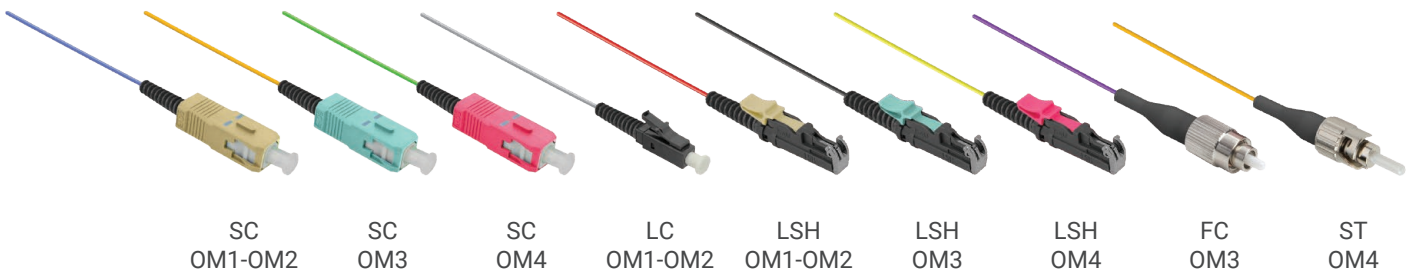
- TB (Tight Buffer) : 2-3 cm
- SB (Semi-Tight Buffer) : 30-50 cm
- EB (Easy Strip Buffer) : 100-150 cm

Optical Performance

Insertion Loss IEC 61300-3-4 Method B	Multi-Mode: ≤ 0.30 dB Max. 0.15 dB Typ.
Return Loss IEC61300-3-6 Method B	Multi-Mode: ≥ 35 dB

End-face Control Parameters

Geometry Inspection	IEC 61755-3-1
Visual Inspection	IEC 61300-3-35



Sample Coding

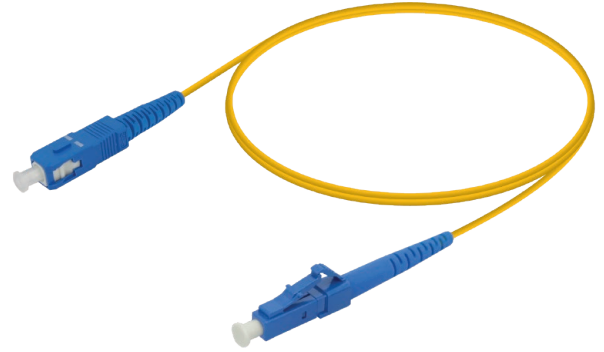
I - PT - 01 - SB - 009 - M4 - BU - LC - 005M

Type	Type	Fiber Count	Buffer Type	Diameter	Fiber Type	Color	Side A	Length
Indoor: I	Pigtail: PT	1 Fiber: 01	Tight: TB Semi-Tight: SB Easy Strip: EB	0.9 mm: 009	MM G.651 OM1: M1 MM G.651 OM2: M2 MM G.651 OM3: M3 MM G.651 OM4: M4 MM G.651 OM5: M5	Blue: BU Orange: OG Green: GN Brown: BN Grey: GY White: WH Red: RD Black: BK Yellow: YE Violet: VT Pink: PK Aqua: AQ	SC-UPC: SC LC-UPC: LC FC-UPC: FC ST-UPC: ST LSH-UPC: E2	___ M

Simplex Single-Mode Patch Cord

Connector Specifications

LC Connector Compliance	IEC 61754-20, TIA 604-10-A, RoHS
SC Connector Compliance	IEC 61754-4, TIA 604-3, RoHS
FC Connector Compliance	IEC 61754-13, TIA 604-4-A, RoHS
ST Connector Compliance	IEC 61754-2, TIA 604-2, RoHS
LSH Connector Compliance	IEC 61754 - 15, TIA 604 - 16, RoHS
Alignment Technology	Full ceramic ferrule (Zirconia ZrO ₂)
Operating Temperature	-40°C to +85°C
Flammability	UL94 V-0
Durability	< 0.1 dB typical change for > 500 matings



Optical Performance

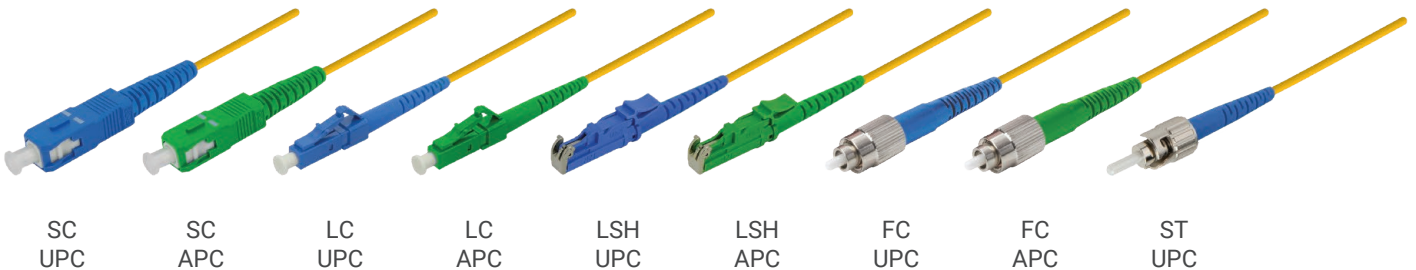
Insertion Loss IEC 61300-3-4 Method B	Single-Mode: ≤ 0.30 dB Max. 0.15 dB Typ.
Return Loss IEC61300-3-6 Method B	Single-Mode UPC: ≥ 50 dB Single-Mode APC: ≥ 60 dB

End-face Control Parameters

Geometry Inspection	UPC : IEC 61755-3-1 APC : IEC 61755-3-2
Visual Inspection	IEC 61300-3-35

Cable Specifications

- 1 core simplex fiber optic cable
- Jacket Material: LSZH, UL94 V-0
- 1.8 mm - 2.0 mm - 2.7 mm diameter options
- Max. Tensile Strength:
 - For 1.8 mm - 2.0 mm is 150 N
 - For 2.7 mm is 300 N
- Min. Bending Radius 25 mm
- Cable Color: OS1/OS2: Yellow

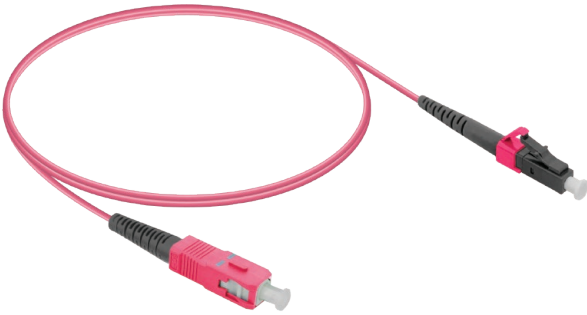


Sample Coding

I - PC - 01 - SX - 020 - A2 - SC - LC - 005M

Type	Type	Fiber Count	Cable Type	Diameter	Fiber Type	Side A	Side B	Length
Indoor: I	Patch Cord: PC	1 Fiber: 01	Simplex: SX	1.8 mm: 018 2.0 mm: 020 2.7 mm: 027	SM G.657 A2: A2 SM G.657 B3: B3	SC-UPC: SC SC-APC: SA LC-UPC: LC LC-APC: LA FC-UPC: FC FC-APC: FA ST-UPC: ST LSH-UPC: E2 LSH-APC: EA	SC-UPC: SC SC-APC: SA LC-UPC: LC LC-APC: LA FC-UPC: FC FC-APC: FA ST-UPC: ST LSH-UPC: E2 LSH-APC: EA	--- M

Simplex Multi-Mode Patch Cord



Connector Specifications

LC Connector Compliance	IEC 61754-20, TIA 604-10-A, RoHS
SC Connector Compliance	IEC 61754-4, TIA 604-3, RoHS
FC Connector Compliance	IEC 61754-13, TIA 604-4-A, RoHS
ST Connector Compliance	IEC 61754-2, TIA 604-2, RoHS
LSH Connector Compliance	IEC 61754 - 15, TIA 604 - 16, RoHS
Alignment Technology	Full ceramic ferrule (Zirconia ZrO ₂)
Operating Temperature	-40°C to +85°C
Flammability	UL94 V-0
Durability	< 0.1 dB typical change for > 500 matings

Cable Specifications

- 1 core simplex fiber optic cable
- Jacket Material: LSZH, UL94 V-0
- 1.8 mm - 2.0 mm - 2.7 mm diameter options
- Max. Tensile Strength:
 - For 1.8 mm - 2.0 mm is 150 N
 - For 2.7 mm is 300 N
- Min. Bending Radius 25 mm
- Cable Color: OM1/OM2: Beige; OM3: Aqua, OM4: Violet, OM5: Lime Green

Optical Performance

Insertion Loss IEC 61300-3-4 Method B	Multi-Mode: ≤ 0.30 dB Max. 0.15 dB Typ.
Return Loss IEC61300-3-6 Method B	Multi-Mode: ≥ 35 dB

End-face Control Parameters

Geometry Inspection	IEC 61755-3-1
Visual Inspection	IEC 61300-3-35



Sample Coding

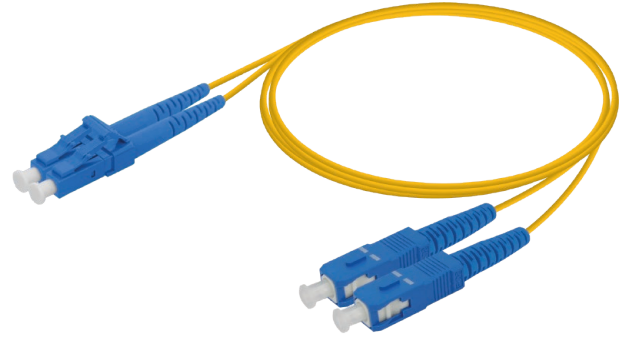
I - PC - 01 - SX - 020 - M4 - SC - LC - 005M

Type	Type	Fiber Count	Cable Type	Diameter	Fiber Type	Side A	Side B	Length
Indoor: I	Patch Cord: PC	1 Fiber: 01	Simplex: SX	1.8 mm: 018 2.0 mm: 020 2.7 mm: 027	MM G.651 OM1: M1 MM G.651 OM2: M2 MM G.651 OM3: M3 MM G.651 OM4: M4 MM G.651 OM5: M5	SC-UPC: SC LC-UPC: LC FC-UPC: FC ST-UPC: ST LSH-UPC: E2	SC-UPC: SC LC-UPC: LC FC-UPC: FC ST-UPC: ST LSH-UPC: E2	___M

Duplex Single-Mode Fig-8 Patch Cord

Connector Specifications

LC Connector Compliance	IEC 61754-20, TIA 604-10-A, RoHS
SC Connector Compliance	IEC 61754-4, TIA 604-3, RoHS
FC Connector Compliance	IEC 61754-13, TIA 604-4-A, RoHS
ST Connector Compliance	IEC 61754-2, TIA 604-2, RoHS
LSH Connector Compliance	IEC 61754 - 15, TIA 604 - 16, RoHS
Alignment Technology	Full ceramic ferrule (Zirconia ZrO ₂)
Operating Temperature	-40°C to +85°C
Flammability	UL94 V-0
Durability	< 0.1 dB typical change for > 500 matings



Optical Performance

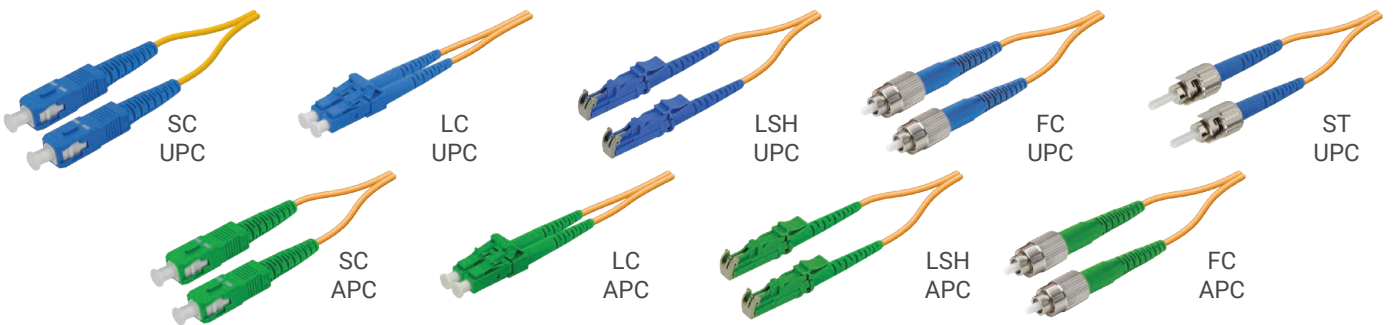
Insertion Loss IEC 61300-3-4 Method B	Single-Mode: ≤ 0.30 dB Max. 0.15 dB Typ.
Return Loss IEC61300-3-6 Method B	Single-Mode UPC: ≥ 50 dB Single-Mode APC: ≥ 60 dB

Cable Specifications

- 2 cores duplex fiber optic cable
- Jacket Material: LSZH, UL94 V-0
- 1.8x3.7 mm - 2.0x4.1 mm diameter options
- Max. Tensile Strength is 300 N
- Min. Bending Radius is 25 mm
- Cable Color: OS1/OS2: Yellow

End-face Control Parameters

Geometry Inspection	UPC : IEC 61755-3-1 APC : IEC 61755-3-2
Visual Inspection	IEC 61300-3-35

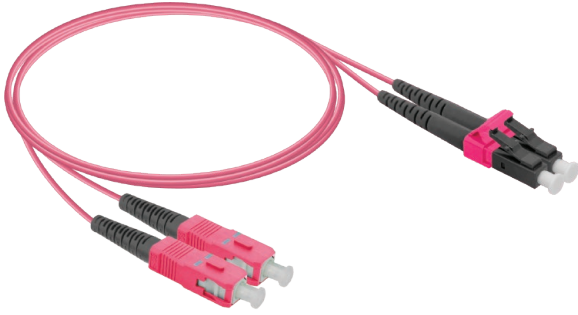


Sample Coding

I - PC - 02 - DX - 020 - A2 - SC - LC - 005M

Type	Type	Fiber Count	Cable Type	Diameter	Fiber Type	Side A	Side B	Length
Indoor: I	Patch Cord: PC	2 Fiber: 02	Duplex: DX	1.8 mm: 018 2.0 mm: 020	SM G.657 A2: A2 SM G.657 B3: B3	SC-UPC: SC SC-APC: SA LC-UPC: LC LC-APC: LA FC-UPC: FC FC-APC: FA ST-UPC: ST LSH-UPC: E2 LSH-APC: EA	SC-UPC: SC SC-APC: SA LC-UPC: LC LC-APC: LA FC-UPC: FC FC-APC: FA ST-UPC: ST LSH-UPC: E2 LSH-APC: EA	--- M

Duplex Multi-Mode Fig-8 Patch Cord



Connector Specifications

LC Connector Compliance	IEC 61754-20, TIA 604-10-A, RoHS
SC Connector Compliance	IEC 61754-4, TIA 604-3, RoHS
FC Connector Compliance	IEC 61754-13, TIA 604-4-A, RoHS
ST Connector Compliance	IEC 61754-2, TIA 604-2, RoHS
LSH Connector Compliance	IEC 61754 - 15, TIA 604 - 16, RoHS
Alignment Technology	Full ceramic ferrule (Zirconia ZrO ₂)
Operating Temperature	-40°C to +85°C
Flammability	UL94 V-0
Durability	< 0.1 dB typical change for > 500 matings

Cable Specifications

- 2 cores duplex fiber optic cable
- Jacket Material: LSZH, UL94 V-0
- 1.8x3.7 mm - 2.0x4.1 mm diameter options
- Max. Tensile Strength is 300 N
- Min. Bending Radius is 25 mm
- Cable Color: OM1/OM2: Beige; OM3: Aqua, OM4: Violet, OM5: Lime Green

Optical Performance

Insertion Loss IEC 61300-3-4 Method B	Multi-Mode: ≤ 0.30 dB Max. 0.15 dB Typ.
Return Loss IEC61300-3-6 Method B	Multi-Mode: ≥ 35 dB

End-face Control Parameters

Geometry Inspection	IEC 61755-3-1
Visual Inspection	IEC 61300-3-35



Sample Coding

I - PC - 02 - DX - 020 - M4 - SC - LC - 005M

Type	Type	Fiber Count	Cable Type	Diameter	Fiber Type	Side A	Side B	Length
Indoor: I	Patch Cord: PC	2 Fiber: 02	Duplex: DX	1.8 mm: 018 2.0 mm: 020	MM G.651 OM1: M1 MM G.651 OM2: M2 MM G.651 OM3: M3 MM G.651 OM4: M4 MM G.651 OM5: M5	SC-UPC: SC LC-UPC: LC FC-UPC: FC ST-UPC: ST LSH-UPC: E2	SC-UPC: SC LC-UPC: LC FC-UPC: FC ST-UPC: ST LSH-UPC: E2	___M

LC Duplex Single-Mode Uniboot Patch Cord | UNI20 / UNI21

Connector Specifications

LC Connector Compliance	IEC 61754-20, GR-326-Core, RoHS
Alignment Technology	Full ceramic ferrule (Zirconia ZrO ₂)
Operating Temperature	-40°C to +85°C
Flammability	UL94 V-0
Durability	< 0.1 dB typical change for > 500 matings

Optical Performance

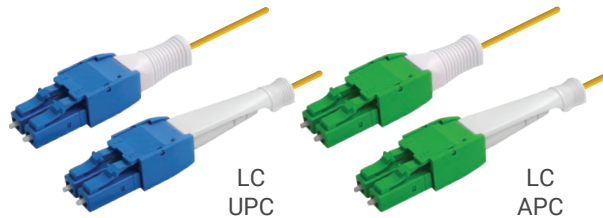
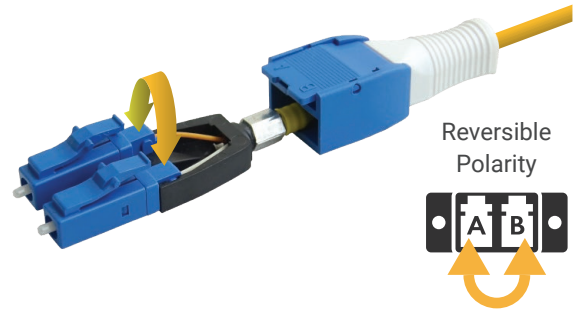
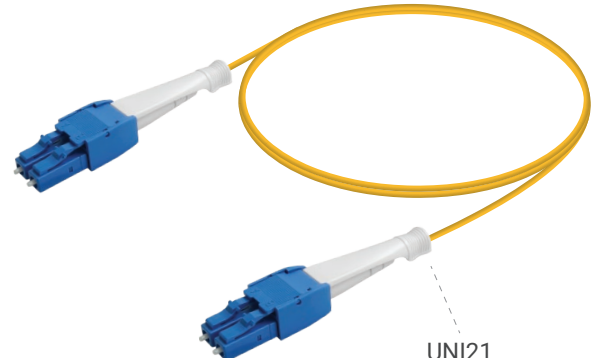
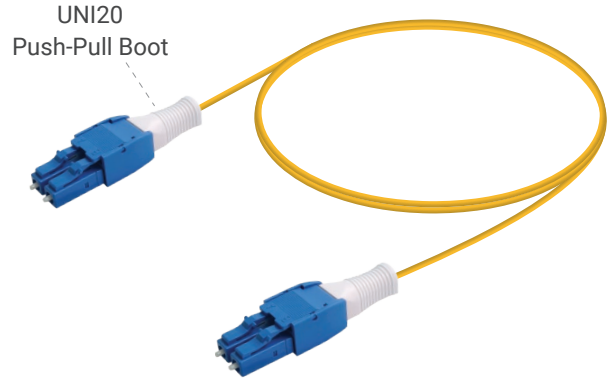
Insertion Loss	Single-Mode: ≤ 0.30 dB Max.
IEC 61300-3-4 Method B	0.15 dB Typ.
Return Loss	Single-Mode UPC: ≥ 50 dB
IEC61300-3-6 Method B	Single-Mode APC: ≥ 60 dB

End-face Control Parameters

Geometry Inspection	UPC : IEC 61755-3-1 APC : IEC 61755-3-2
Visual Inspection	IEC 61300-3-35

Cable Specifications

- 2 cores round duplex fiber optic cable
- Jacket Material: LSZH, UL94 V-0
- Cable Diameter: 2.0mm
- Max. Tensile Strength is 300 N
- Min. Bending Radius is 15 mm
- Cable Color: Yellow: OS1 and OS2

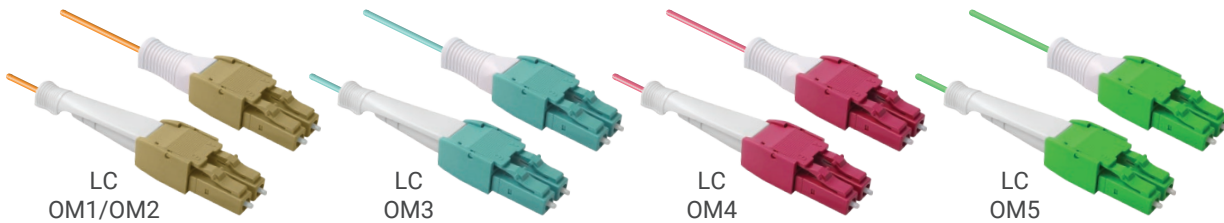
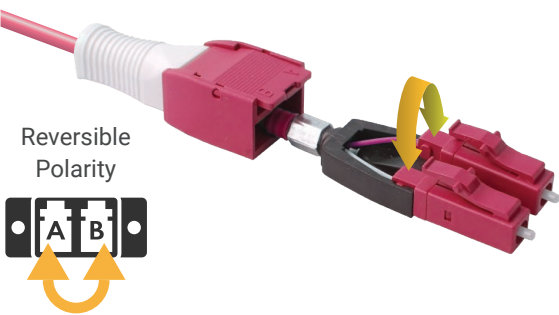
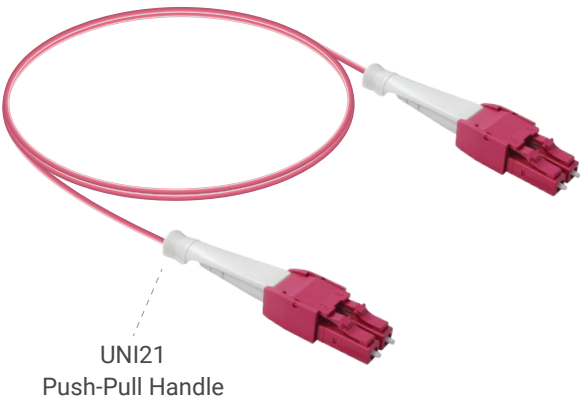
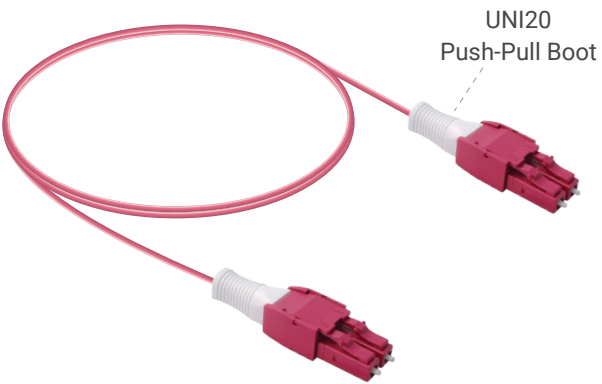


Sample Coding

I - PC - 02 - RND - 020 - A2 - LC(UNI20) - LC(UNI20) - 005M

Type	Type	Fiber Count	Cable Type	Diameter	Fiber Type	Side A	Side B	Length
Indoor: I	Patch Cord: PC	2 Fiber: 02	Round: RND	2.0 mm: 020	SM G.657 A2: A2	LC-UPC: LC(UNI20) LC-APC: LA(UNI20) LC-UPC: LC(UNI21) LC-APC: LA(UNI21)	LC-UPC: LC(UNI20) LC-APC: LA(UNI20) LC-UPC: LC(UNI21) LC-APC: LA(UNI21)	... M

LC Duplex Multi-Mode Uniboot Patch Cord | UNI20 / UNI21



Connector Specifications

LC Connector Compliance	IEC 61754-20, GR-326-Core, RoHS
Alignment Technology	Full ceramic ferrule (Zirconia ZrO ₂)
Operating Temperature	-40°C to +85°C
Flammability	UL94 V-0
Durability	< 0.1 dB typical change for > 500 matings

Optical Performance

Insertion Loss IEC 61300-3-4 Method B	Multi-Mode: ≤ 0.30 dB Max. 0.15 dB Typ.
Return Loss IEC61300-3-6 Method B	Multi-Mode: ≥ 35 dB

End-face Control Parameters

Geometry Inspection	IEC 61755-3-1
Visual Inspection	IEC 61300-3-35

Cable Specifications

- 2 cores round duplex fiber optic cable
- Jacket Material: LSZH, UL94 V-0
- Cable Diameter: 2.0mm
- Max. Tensile Strength is 300 N
- Min. Bending Radius is 15 mm
- Cable Color: OM1/OM2: Beige; OM3: Aqua, OM4: Violet, OM5: Lime Green

Sample Coding

I - PC - 02 - RND - 020 - M3 - LC(UNI20) - LC(UNI20) - 005M

Type	Type	Fiber Count	Cable Type	Diameter	Fiber Type	Side A	Side B	Length
Indoor: I	Patch Cord: PC	2 Fiber: 02	Round: RND	2.0 mm: 020	MM G.651 OM1: M1 MM G.651 OM2: M2 MM G.651 OM3: M3 MM G.651 OM4: M4 MM G.651 OM5: M5	LC-UPC: LC(UNI20) LC-UPC: LC(UNI21)	LC-UPC: LC(UNI20) LC-UPC: LC(UNI21)	___ M

LC Duplex Single-Mode Uniboot Patch Cord | UNI10

Connector Specifications

LC Connector Compliance	IEC 61754-20, GR-326-Core, RoHS
Alignment Technology	Full ceramic ferrule (Zirconia ZrO ₂)
Operating Temperature	-40°C to +85°C
Flammability	UL94 V-0
Durability	< 0.1 dB typical change for > 500 matings

Optical Performance

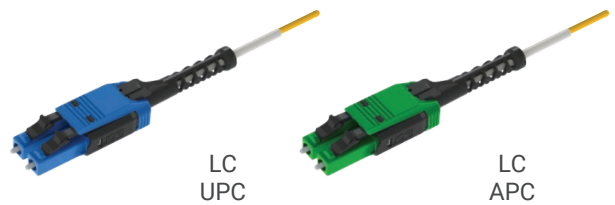
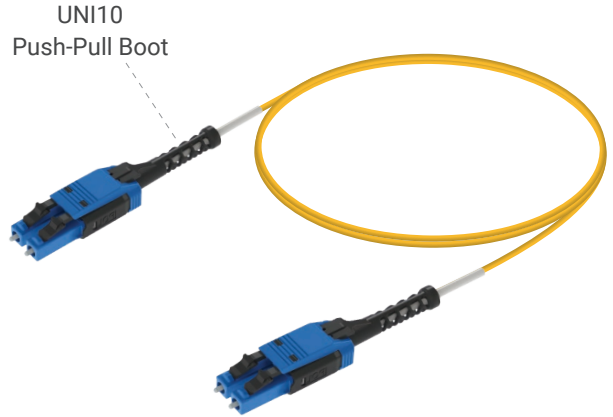
Insertion Loss IEC 61300-3-4 Method B	Single-Mode: ≤ 0.30 dB Max. 0.15 dB Typ.
Return Loss IEC61300-3-6 Method B	Single-Mode UPC: ≥ 50 dB Single-Mode APC: ≥ 60 dB

End-face Control Parameters

Geometry Inspection	UPC : IEC 61755-3-1 APC : IEC 61755-3-2
Visual Inspection	IEC 61300-3-35

Cable Specifications

- 2 cores round duplex fiber optic cable
- Jacket Material: LSZH, UL94 V-0
- Cable Diameter: 2.0mm
- Max. Tensile Strength is 300 N
- Min. Bending Radius is 15 mm
- Cable Color: Yellow: OS1 and OS2

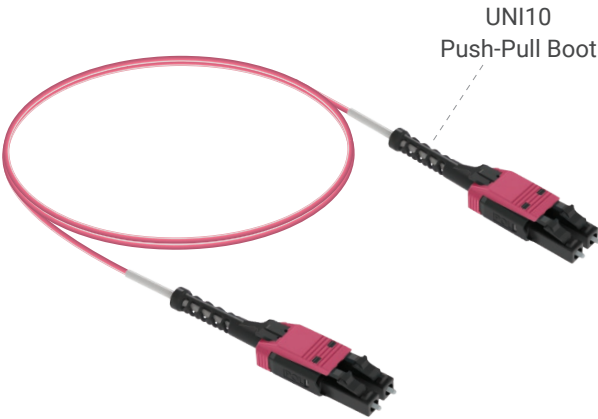


Sample Coding

I - PC - 02 - RND - 020 - A2 - LC(UNI10) - LC(UNI10) - 005M

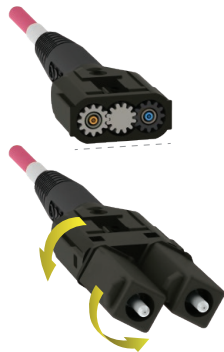
Type	Type	Fiber Count	Cable Type	Diameter	Fiber Type	Side A	Side B	Length
Indoor: I	Patch Cord: PC	2 Fiber: 02	Round: RND	2.0 mm: 020	SM G.657 A2: A2	LC-UPC: LC(UNI10) LC-APC: LA(UNI10)	LC-UPC: LC(UNI10) LC-APC: LA(UNI10)	--- M

LC Duplex Multi-Mode Uniboot Patch Cord | UNI10



UNI10 Push-Pull Boot

Reversible Polarity



Connector Specifications

LC Connector Compliance	IEC 61754-20, GR-326-Core, RoHS
Alignment Technology	Full ceramic ferrule (Zirconia ZrO ₂)
Operating Temperature	-40°C to +85°C
Flammability	UL94 V-0
Durability	< 0.1 dB typical change for > 500 matings

Optical Performance

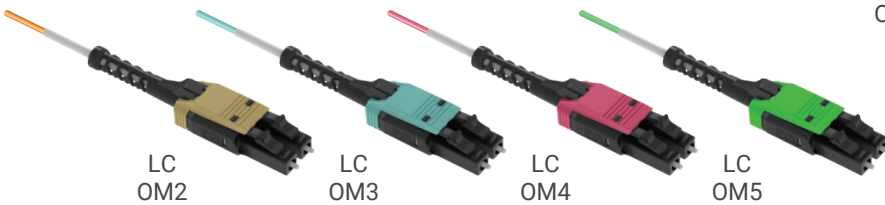
Insertion Loss IEC 61300-3-4 Method B	Multi-Mode: ≤ 0.30 dB Max. 0.15 dB Typ.
Return Loss IEC61300-3-6 Method B	Multi-Mode: ≥ 35 dB

End-face Control Parameters

Geometry Inspection	IEC 61755-3-1
Visual Inspection	IEC 61300-3-35

Cable Specifications

- 2 cores round duplex fiber optic cable
- Jacket Material: LSZH, UL94 V-0
- Cable Diameter: 2.0mm
- Max. Tensile Strength is 300 N
- Min. Bending Radius is 15 mm
- Cable Color: OM1/OM2: Beige; OM3: Aqua, OM4: Violet, OM5: Lime Green



LC OM2

LC OM3

LC OM4

LC OM5

Sample Coding

I - PC - 02 - RND - 020 - M3 - LC(UNI10) - LC(UNI10) - 005M

Type	Type	Fiber Count	Cable Type	Diameter	Fiber Type	Side A	Side B	Length
Indoor: I	Patch Cord: PC	2 Fiber: 02	Round: RND	2.0 mm: 020	MM G.651 OM1: M1 MM G.651 OM2: M2 MM G.651 OM3: M3 MM G.651 OM4: M4 MM G.651 OM5: M5	LC-UPC: LC(UNI10)	LC-UPC: LC(UNI10)	___ M

Simplex Single-Mode Armoured Patch Cord

Connector Specifications

LC Connector Compliance	IEC 61754-20, TIA 604-10-A, RoHS
SC Connector Compliance	IEC 61754-4, TIA 604-3, RoHS
FC Connector Compliance	IEC 61754-13, TIA 604-4-A, RoHS
ST Connector Compliance	IEC 61754-2, TIA 604-2, RoHS
LSH Connector Compliance	IEC 61754 - 15, TIA 604 - 16, RoHS
Alignment Technology	Full ceramic ferrule (Zirconia ZrO ₂)
Operating Temperature	-40°C to +85°C
Flammability	UL94 V-0
Durability	< 0.1 dB typical change for > 500 matings



Optical Performance

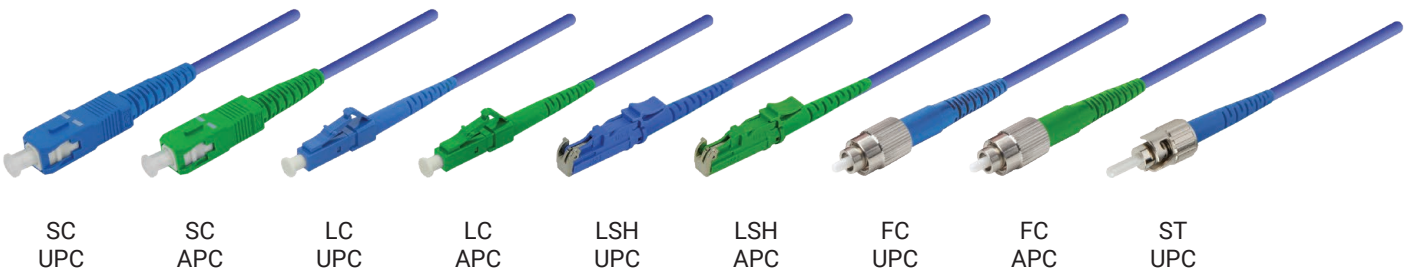
Insertion Loss IEC 61300-3-4 Method B	Single-Mode: ≤ 0.30 dB Max. 0.15 dB Typ.
Return Loss IEC61300-3-6 Method B	Single-Mode UPC: ≥ 50 dB Single-Mode APC: ≥ 60 dB

End-face Control Parameters

Geometry Inspection	UPC : IEC 61755-3-1 APC : IEC 61755-3-2
Visual Inspection	IEC 61300-3-35

Cable Specifications

- 1 core simplex fiber optic cable
- Jacket Material: PVC
- Cable Diameter: 3.0 mm
- Max. Tensile Strength is 200 N
- Min. Bending Radius is 30 mm
- Cable Color: OS1/OS2: Blue

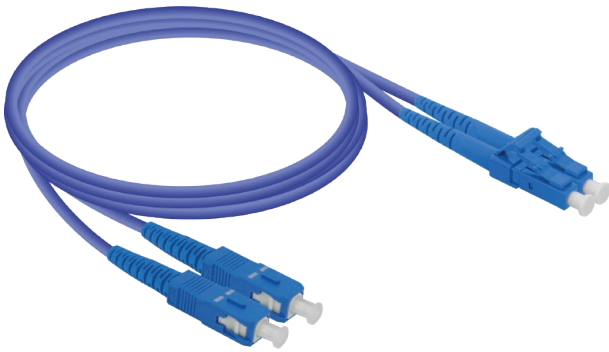


Sample Coding

A - PC - 01 - SX - 030 - A2 - SC - LC - 005M

Type	Type	Fiber Count	Cable Type	Diameter	Fiber Type	Side A	Side B	Length
Armoured: A	Patch Cord: PC	1 Fiber: 01	Simplex: SX	3.0 mm: 030	SM G.657 A2: A2	SC-UPC: SC SC-APC: SA LC-UPC: LC LC-APC: LA FC-UPC: FC FC-APC: FA ST-UPC: ST LSH-UPC: E2 LSH-APC: EA	SC-UPC: SC SC-APC: SA LC-UPC: LC LC-APC: LA FC-UPC: FC FC-APC: FA ST-UPC: ST LSH-UPC: E2 LSH-APC: EA	___ M

Duplex Single-Mode Fig-8 Armoured Patch Cord



Connector Specifications

LC Connector Compliance	IEC 61754-20, TIA 604-10-A, RoHS
SC Connector Compliance	IEC 61754-4, TIA 604-3, RoHS
FC Connector Compliance	IEC 61754-13, TIA 604-4-A, RoHS
ST Connector Compliance	IEC 61754-2, TIA 604-2, RoHS
LSH Connector Compliance	IEC 61754 - 15, TIA 604 - 16, RoHS
Alignment Technology	Full ceramic ferrule (Zirconia ZrO ₂)
Operating Temperature	-40°C to +85°C
Flammability	UL94 V-0
Durability	< 0.1 dB typical change for > 500 matings

Cable Specifications

- 2 cores duplex fiber optic cable
- Jacket Material: PVC
- Cable Diameter: 3.0x6.2 mm
- Max. Tensile Strength is 400 N
- Min. Bending Radius is 60 mm
- Cable Color: OS1/OS2: Blue

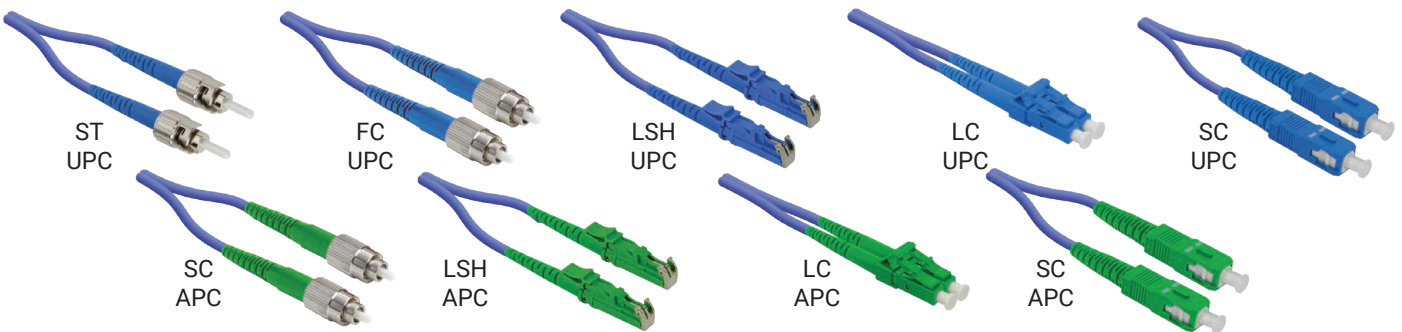
Optical Performance

Insertion Loss IEC 61300-3-4 Method B	Single-Mode: ≤ 0.30 dB Max. 0.15 dB Typ.
Return Loss IEC61300-3-6 Method B	Single-Mode UPC: ≥ 50 dB Single-Mode APC: ≥ 60 dB



End-face Control Parameters

Geometry Inspection	UPC : IEC 61755-3-1 APC : IEC 61755-3-2
Visual Inspection	IEC 61300-3-35



Sample Coding

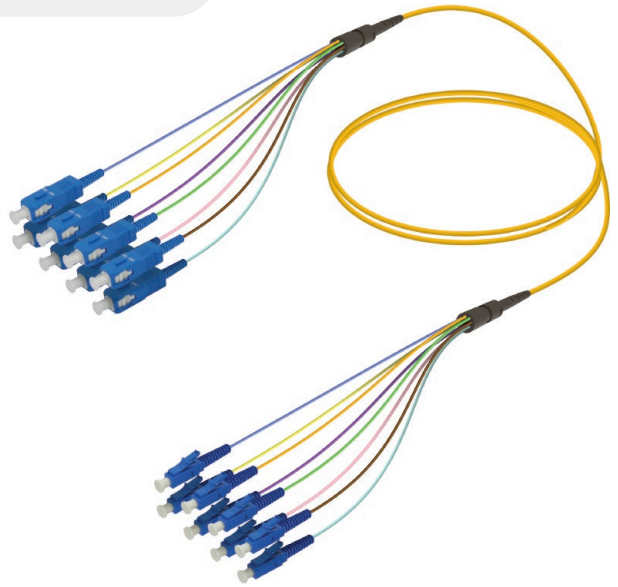
A - PC - 02 - DX - 030 - A2 - SC - LC - 005M

Type	Type	Fiber Count	Cable Type	Diameter	Fiber Type	Side A	Side B	Length
Armoured: A	Patch Cord: PC	2 Fiber: 02	Duplex: DX	3.0 mm: 030	SM G.657 A2: A2	SC-UPC: SC SC-APC: SA LC-UPC: LC LC-APC: LA FC-UPC: FC FC-APC: FA ST-UPC: ST LSH-UPC: E2 LSH-APC: EA	SC-UPC: SC SC-APC: SA LC-UPC: LC LC-APC: LA FC-UPC: FC FC-APC: FA ST-UPC: ST LSH-UPC: E2 LSH-APC: EA	___M

8 Fiber Single-Mode Fan-out | 0.9 mm

Connector Specifications

LC Connector Compliance	IEC 61754-20, TIA 604-10-A, RoHS
SC Connector Compliance	IEC 61754-4, TIA 604-3, RoHS
One Side Connector Count	8 Connectors
Alignment Technology	Full ceramic ferrule (Zirconia ZrO ₂)
Operating Temperature	-40°C to +85°C
Flammability	UL94 V-0
Durability	< 0.1 dB typical change for > 500 matings



Optical Performance

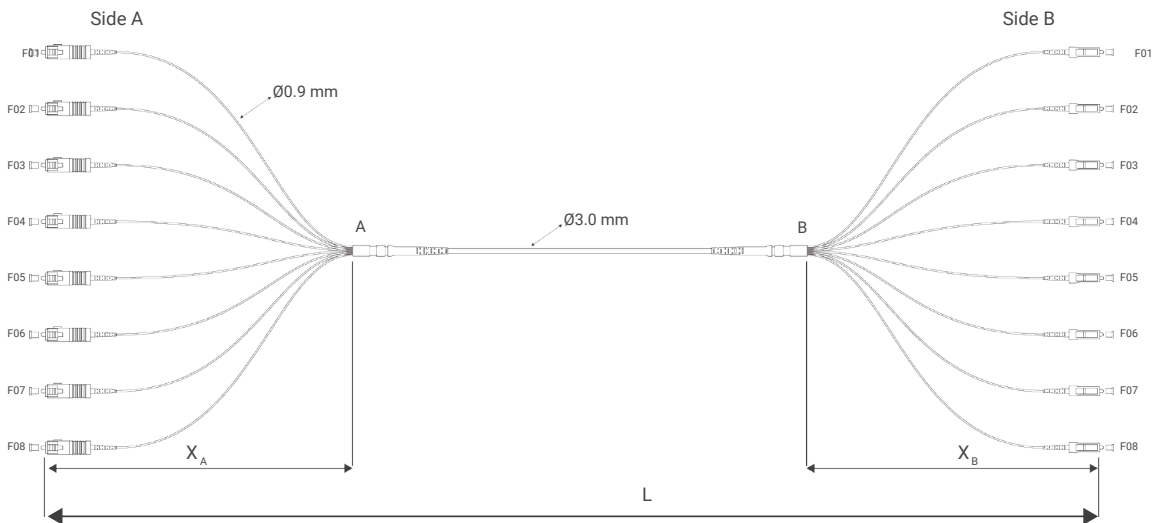
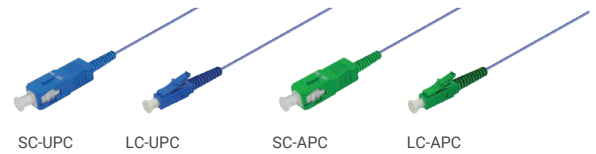
Insertion Loss IEC 61300-3-4 Method B	Single-Mode: ≤ 0.30 dB Max. 0.15 dB Typ.
Return Loss IEC61300-3-6 Method B	Single-Mode UPC: ≥ 50 dB Single-Mode APC: ≥ 60 dB

End-face Control Parameters

Geometry Inspection	UPC : IEC 61755-3-1 APC : IEC 61755-3-2
Visual Inspection	IEC 61300-3-35

Cable Specifications

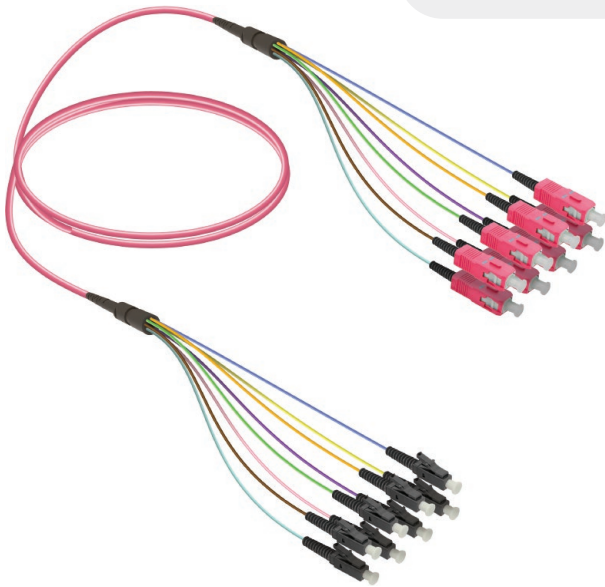
- 8 core distribution fiber optic cable
- CPR: Dca, s2, d0, a1
- Cable Diameter: 3.0 mm / Fan-out Diameter: 0.9 mm
- Max. Tensile Strength: 200N
- Min. Bending Radius 20 mm
- Cable Color: OS1/OS2: Yellow



Sample Coding * X (Tube Length) is standard 500 mm. Please contact us for different tube length

I - PC - 08 - FC - 309 - A2 - 08SCS - 08LCS - 005M

Type	Type	Fiber Count	Cable Type	Diameter	Fiber Type	Side A	Side B	Length
Indoor: I	Patch Cord: PC	8 Fibers: 08	Fan-out: FC	3.0/09 mm: 309	SM G.657 A2: A2	SC-UPC: 08SCS SC-APC: 08SAS LC-UPC: 08LCS LC-APC: 08LAS	SC-UPC: 08SCS SC-APC: 08SAS LC-UPC: 08LCS LC-APC: 08LAS	--- M



8 Fiber Multi-Mode Fan-out | 0.9 mm

Connector Specifications

LC Connector Compliance	IEC 61754-20, TIA 604-10-A, RoHS
SC Connector Compliance	IEC 61754-4, TIA 604-3, RoHS
One Side Connector Count	8 Connectors
Alignment Technology	Full ceramic ferrule (Zirconia ZrO ₂)
Operating Temperature	-40°C to +85°C
Flammability	UL94 V-0
Durability	< 0.1 dB typical change for > 500 matings

Cable Specifications

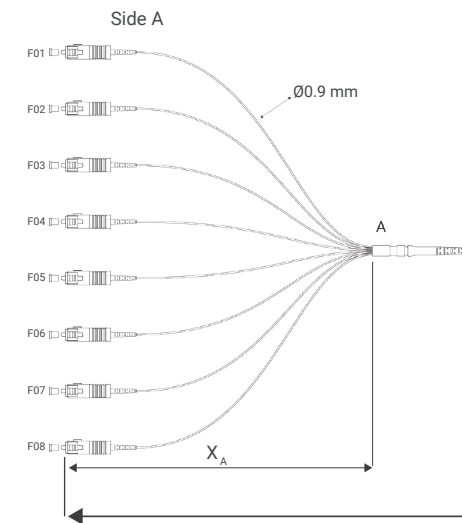
- 8 core distribution fiber optic cable
- CPR: Dca, s2, d0, a1
- Cable Diameter: 3.0 mm / Fan-out Diameter: 0.9 mm
- Max. Tensile Strength: 200N
- Min. Bending Radius 20 mm
- Cable Color: OM3: Aqua, OM4: Violet

Optical Performance

Insertion Loss	Multi-Mode: ≤ 0.30 dB Max.
IEC 61300-3-4 Method B	0.15 dB Typ.
Return Loss	Multi-Mode: ≥ 35 dB
IEC61300-3-6 Method B	

End-face Control Parameters

Geometry Inspection	IEC 61755-3-1
Visual Inspection	IEC 61300-3-35



Sample Coding * X (Tube Length) is standard 500 mm. Please contact us for different tube length

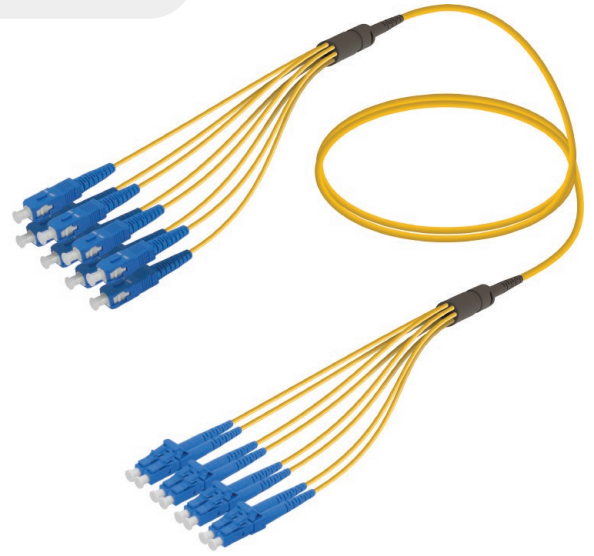
I - PC - 08 - FC - 309 - M4 - 08SCS - 08LCS - 005M

Type	Type	Fiber Count	Cable Type	Diameter	Fiber Type	Side A	Side B	Length
Indoor: I	Patch Cord: PC	8 Fibers: 08	Fan-out: FC	3.0/09 mm: 309	MM G.651 OM3: M3 MM G.651 OM4: M4 MM G.651 OM5: M5	SC-UPC: 08SCS LC-UPC: 08LCS	SC-UPC: 08SCS LC-UPC: 08LCS	--- M

8 Fiber Single-Mode Fan-out | 1.8 mm

Connector Specifications

LC Connector Compliance	IEC 61754-20, TIA 604-10-A, RoHS
SC Connector Compliance	IEC 61754-4, TIA 604-3, RoHS
One Side Connector Count	8 Connectors
Alignment Technology	Full ceramic ferrule (Zirconia ZrO ₂)
Operating Temperature	-40°C to +85°C
Flammability	UL94 V-0
Durability	< 0.1 dB typical change for > 500 matings



Optical Performance

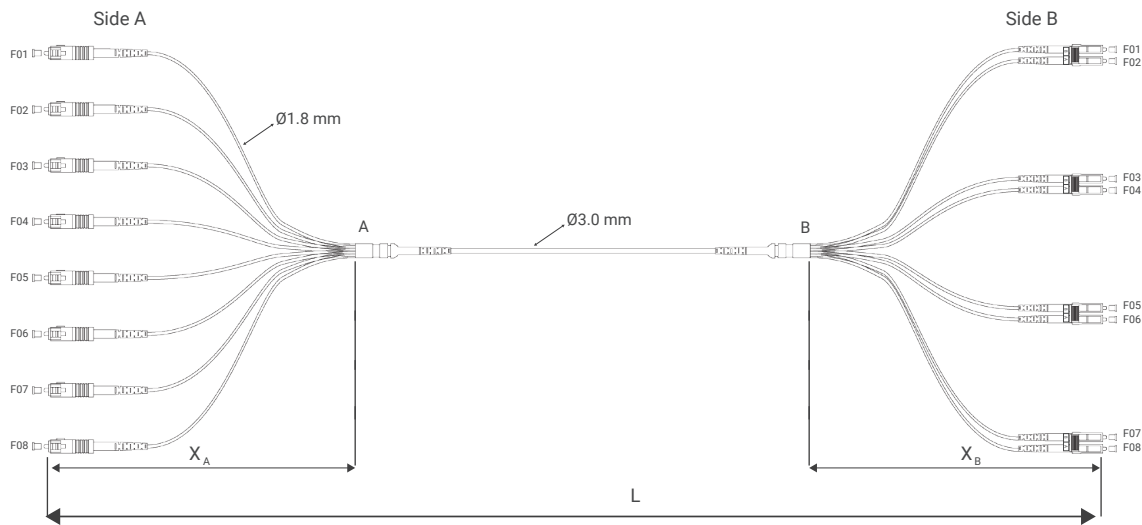
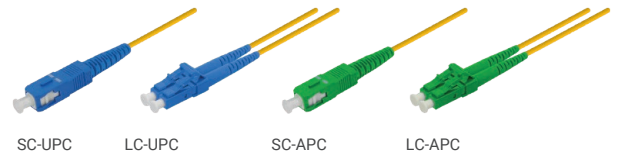
Insertion Loss IEC 61300-3-4 Method B	Single-Mode: ≤ 0.30 dB Max. 0.15 dB Typ.
Return Loss IEC61300-3-6 Method B	Single-Mode UPC: ≥ 50 dB Single-Mode APC: ≥ 60 dB

End-face Control Parameters

Geometry Inspection	UPC : IEC 61755-3-1 APC : IEC 61755-3-2
Visual Inspection	IEC 61300-3-35

Cable Specifications

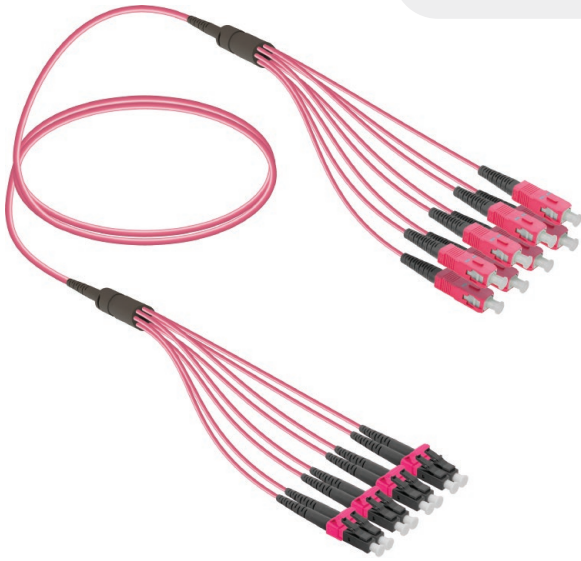
- 8 core distribution fiber optic cable
- CPR: Dca, s2, d0, a1
- Cable Diameter: 3.0 mm / Fan-out Diameter: 1.8 mm
- Max. Tensile Strength: 200N
- Min. Bending Radius 20 mm
- Cable Color: OS1/OS2: Yellow



Sample Coding * X (Tube Length) is standard 500 mm. Please contact us for different tube length

I - PC - 08 - FC - 318 - A2 - 08SCS - 04LCD - 005M

Type	Type	Fiber Count	Cable Type	Diameter	Fiber Type	Side A	Side B	Length
Indoor: I	Patch Cord: PC	8 Fibers: 08	Fan-out: FC	3.0/1.8 mm: 318	SM G.657 A2: A2	SC-UPC: 08SCS SC-APC: 08SAS LC-UPC: 04LCD LC-APC: 04LAD	SC-UPC: 08SCS SC-APC: 08SAS LC-UPC: 04LCD LC-APC: 04LAD	--- M



8 Fiber Multi-Mode Fan-out | 1.8 mm

Connector Specifications

LC Connector Compliance	IEC 61754-20, TIA 604-10-A, RoHS
SC Connector Compliance	IEC 61754-4, TIA 604-3, RoHS
One Side Connector Count	8 Connectors
Alignment Technology	Full ceramic ferrule (Zirconia ZrO ₂)
Operating Temperature	-40°C to +85°C
Flammability	UL94 V-0
Durability	< 0.1 dB typical change for > 500 matings

Cable Specifications

- 8 core distribution fiber optic cable
- CPR: Dca, s2, d0, a1
- Cable Diameter: 3.0 mm / Fan-out Diameter: 1.8 mm
- Max. Tensile Strength: 200N
- Min. Bending Radius 20 mm
- Cable Color: OM3: Aqua, OM4: Violet

Optical Performance

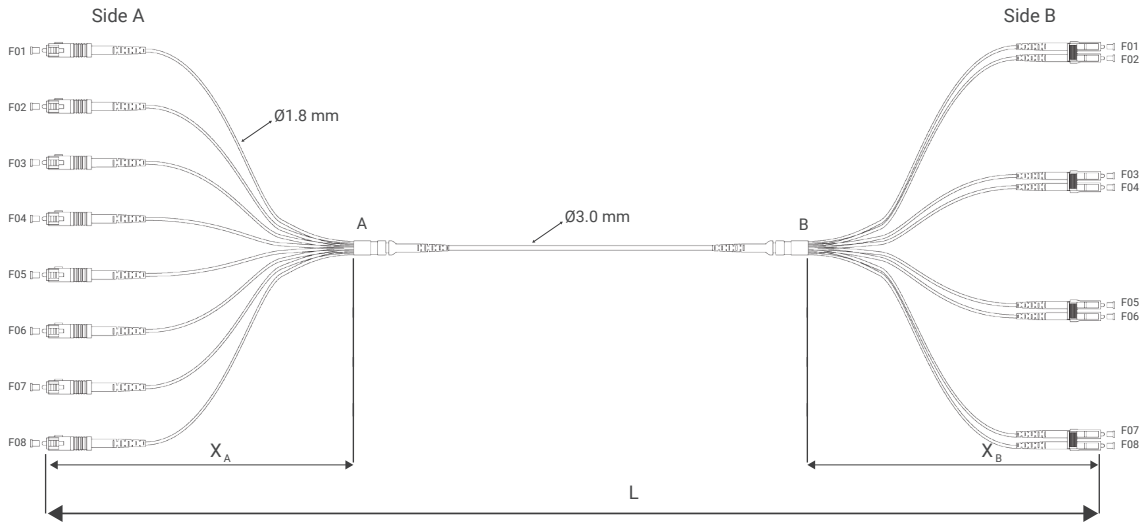
Insertion Loss IEC 61300-3-4 Method B	Multi-Mode: ≤ 0.30 dB Max. 0.15 dB Typ.
Return Loss IEC61300-3-6 Method B	Multi-Mode: ≥ 35 dB

End-face Control Parameters

Geometry Inspection	IEC 61755-3-1
Visual Inspection	IEC 61300-3-35



SC OM3 LC OM3 SC OM4 LC OM4



Sample Coding * X (Tube Length) is standard 500 mm. Please contact us for different tube length

I - PC - 08 - FC - 318 - M4 - 08SCS - 04LCD - 005M

Type	Type	Fiber Count	Cable Type	Diameter	Fiber Type	Side A	Side B	Length
Indoor: I	Patch Cord: PC	8 Fibers: 08	Fan-out: FC	3.0/1.8 mm: 318	MM G.651 OM3: M3 MM G.651 OM4: M4 MM G.651 OM5: M5	SC-UPC: 08SCS LC-UPC: 04LCD	SC-UPC: 08SCS LC-UPC: 04LCD	... M

12 Fiber Single-Mode Fan-out | 0.9 mm

Connector Specifications

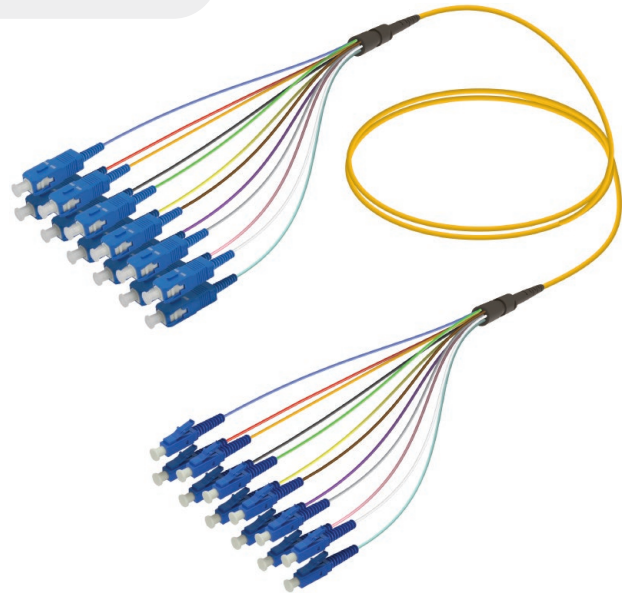
LC Connector Compliance	IEC 61754-20, TIA 604-10-A, RoHS
SC Connector Compliance	IEC 61754-4, TIA 604-3, RoHS
One Side Connector Count	12 Connectors
Alignment Technology	Full ceramic ferrule (Zirconia ZrO ₂)
Operating Temperature	-40°C to +85°C
Flammability	UL94 V-0
Durability	< 0.1 dB typical change for > 500 matings

Optical Performance

Insertion Loss IEC 61300-3-4 Method B	Single-Mode: ≤ 0.30 dB Max. 0.15 dB Typ.
Return Loss IEC61300-3-6 Method B	Single-Mode UPC: ≥ 50 dB Single-Mode APC: ≥ 60 dB

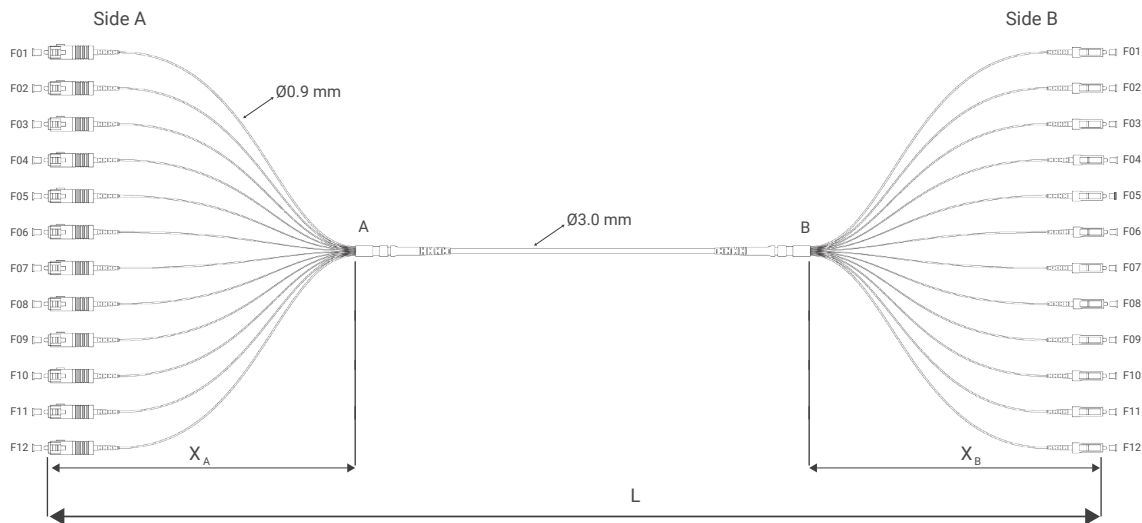
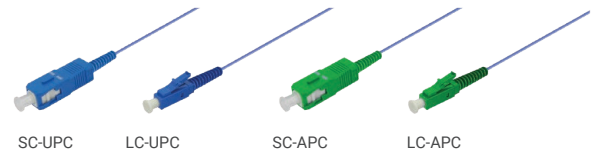
End-face Control Parameters

Geometry Inspection	UPC : IEC 61755-3-1 APC : IEC 61755-3-2
Visual Inspection	IEC 61300-3-35



Cable Specifications

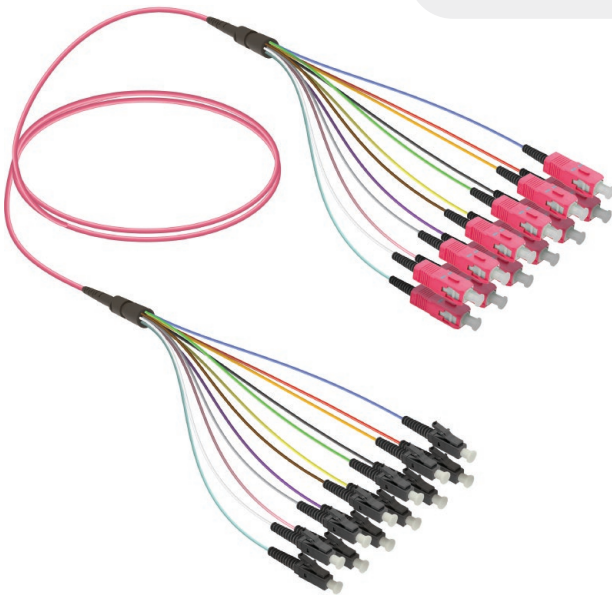
- 12 core distribution fiber optic cable
- CPR: Dca, s2, d0, a1
- Cable Diameter: 3.0 mm / Fan-out Diameter: 0.9 mm
- Max. Tensile Strength: 200N
- Min. Bending Radius 20 mm
- Cable Color: OS1/OS2: Yellow



Sample Coding * X (Tube Length) is standard 500 mm. Please contact us for different tube length

I - PC - 12 - FC - 309 - A2 - 12SCS - 12LCS - 005M

Type	Type	Fiber Count	Cable Type	Diameter	Fiber Type	Side A	Side B	Length
Indoor: I	Patch Cord: PC	12 Fibers: 12	Fan-out: FC	3.0/09 mm: 309	SM G.657 A2: A2	SC-UPC: 12SCS SC-APC: 12SAS LC-UPC: 12LCS LC-APC: 12LAS	SC-UPC: 12SCS SC-APC: 12SAS LC-UPC: 12LCS LC-APC: 12LAS	--- M



12 Fiber Multi-Mode Fan-out | 0.9 mm

Connector Specifications

LC Connector Compliance	IEC 61754-20, TIA 604-10-A, RoHS
SC Connector Compliance	IEC 61754-4, TIA 604-3, RoHS
One Side Connector Count	12 Connectors
Alignment Technology	Full ceramic ferrule (Zirconia ZrO ₂)
Operating Temperature	-40°C to +85°C
Flammability	UL94 V-0
Durability	< 0.1 dB typical change for > 500 matings

Cable Specifications

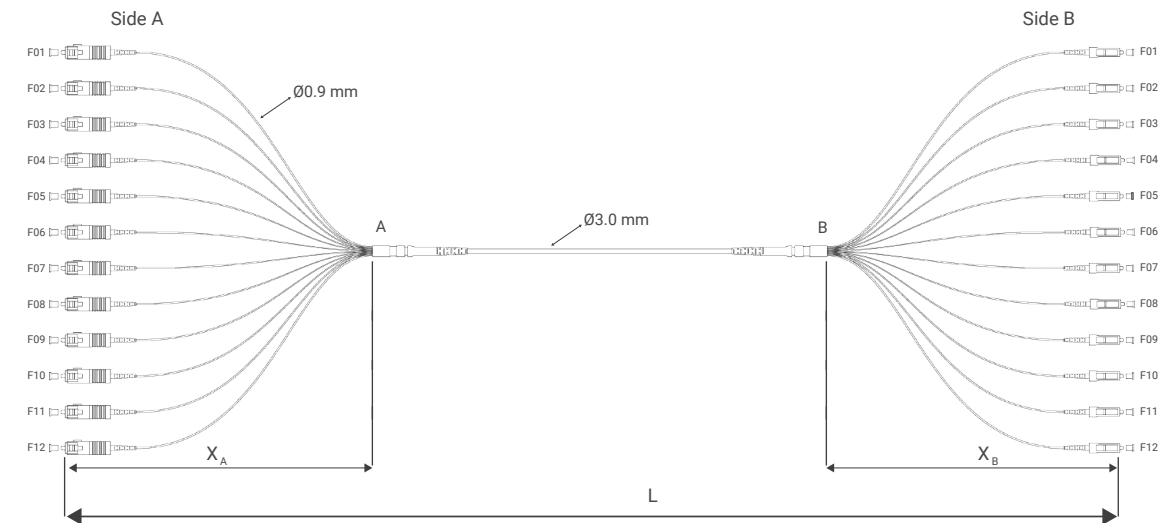
- 12 core distribution fiber optic cable
- CPR: Dca, s2, d0, a1
- Cable Diameter: 3.0 mm / Fan-out Diameter: 0.9 mm
- Max. Tensile Strength: 200N
- Min. Bending Radius 20 mm
- Cable Color: OM3: Aqua, OM4: Violet

Optical Performance

Insertion Loss IEC 61300-3-4 Method B	Multi-Mode: ≤ 0.30 dB Max. 0.15 dB Typ.
Return Loss IEC61300-3-6 Method B	Multi-Mode: ≥ 35 dB

End-face Control Parameters

Geometry Inspection	IEC 61755-3-1
Visual Inspection	IEC 61300-3-35



Sample Coding * X (Tube Length) is standard 500 mm. Please contact us for different tube length

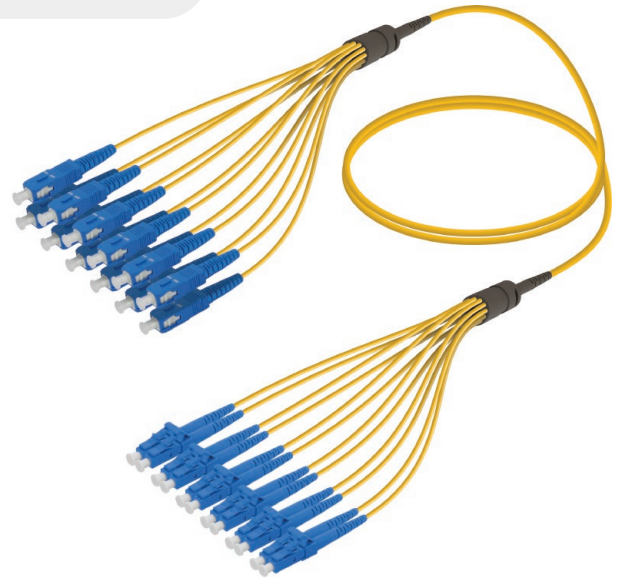
I - PC - 12 - FC - 309 - M4 - 12SCS - 12LCS - 005M

Type	Type	Fiber Count	Cable Type	Diameter	Fiber Type	Side A	Side B	Length
Indoor: I	Patch Cord: PC	12 Fibers: 12	Fan-out: FC	3.0/09 mm: 309	MM G.651 OM3: M3 MM G.651 OM4: M4 MM G.651 OM5: M5	SC-UPC: 12SCS LC-UPC: 12LCS	SC-UPC: 12SCS LC-UPC: 12LCS	--- M

12 Fiber Single-Mode Fan-out | 1.8 mm

Connector Specifications

LC Connector Compliance	IEC 61754-20, TIA 604-10-A, RoHS
SC Connector Compliance	IEC 61754-4, TIA 604-3, RoHS
One Side Connector Count	12 Connectors
Alignment Technology	Full ceramic ferrule (Zirconia ZrO ₂)
Operating Temperature	-40°C to +85°C
Flammability	UL94 V-0
Durability	< 0.1 dB typical change for > 500 matings



Optical Performance

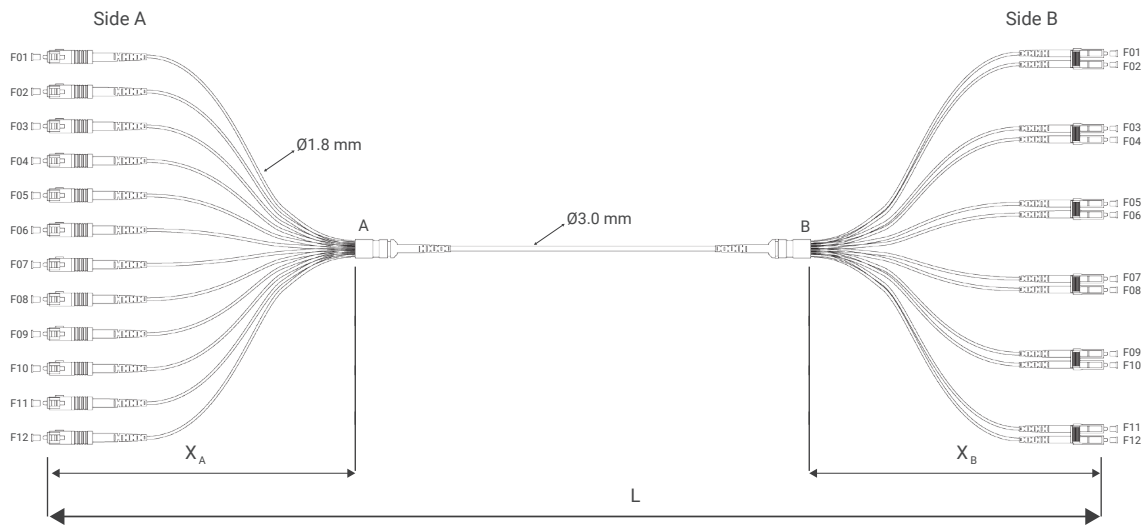
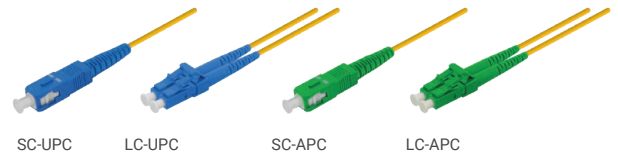
Insertion Loss	Single-Mode: ≤ 0.30 dB Max.
IEC 61300-3-4 Method B	0.15 dB Typ.
Return Loss	Single-Mode UPC: ≥ 50 dB
IEC61300-3-6 Method B	Single-Mode APC: ≥ 60 dB

End-face Control Parameters

Geometry Inspection	UPC : IEC 61755-3-1 APC : IEC 61755-3-2
Visual Inspection	IEC 61300-3-35

Cable Specifications

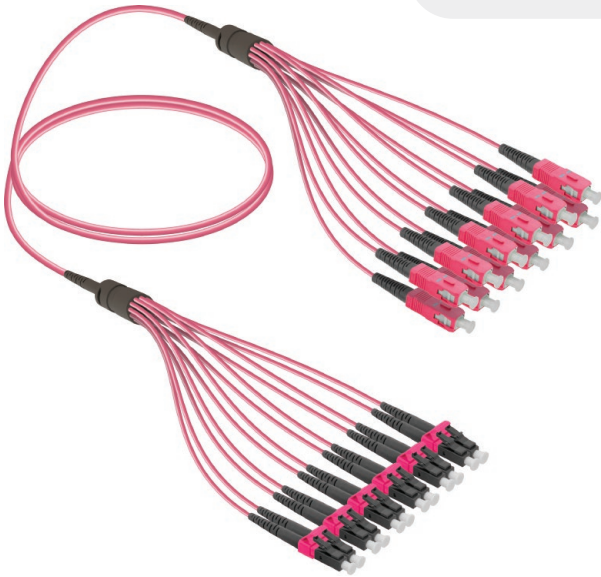
- 12 core distribution fiber optic cable
- CPR: Dca, s2, d0, a1
- Cable Diameter: 3.0 mm / Fan-out Diameter: 1.8 mm
- Max. Tensile Strength: 200N
- Min. Bending Radius 20 mm
- Cable Color: OS1/OS2: Yellow



Sample Coding * X (Tube Length) is standard 500 mm. Please contact us for different tube length

I - PC - 12 - FC - 318 - A2 - 12SCS - 06LCD - 005M

Type	Type	Fiber Count	Cable Type	Diameter	Fiber Type	Side A	Side B	Length
Indoor: I	Patch Cord: PC	12 Fibers: 12	Fan-out: FC	3.0/1.8 mm: 318	SM G.657 A2: A2	SC-UPC: 12SCS SC-APC: 12SAS LC-UPC: 06LCD LC-APC: 06LAD	SC-UPC: 12SCS SC-APC: 12SAS LC-UPC: 06LCD LC-APC: 06LAD	--- M



12 Fiber Multi-Mode Fan-out | 1.8 mm

Connector Specifications

LC Connector Compliance	IEC 61754-20, TIA 604-10-A, RoHS
SC Connector Compliance	IEC 61754-4, TIA 604-3, RoHS
One Side Connector Count	12 Connectors
Alignment Technology	Full ceramic ferrule (Zirconia ZrO ₂)
Operating Temperature	-40°C to +85°C
Flammability	UL94 V-0
Durability	< 0.1 dB typical change for > 500 matings

Cable Specifications

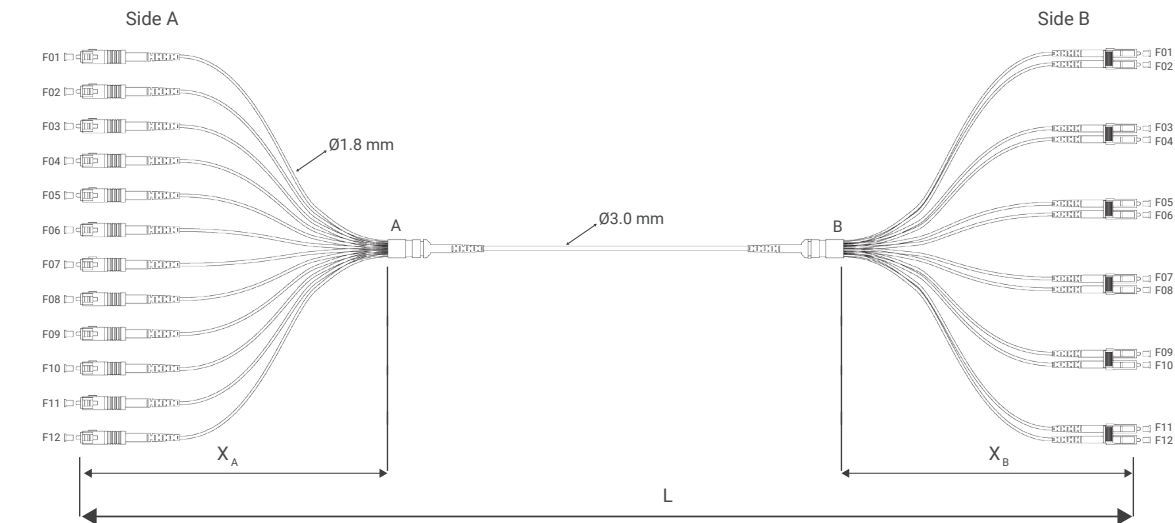
- 12 core distribution fiber optic cable
- CPR: Dca, s2, d0, a1
- Cable Diameter: 3.0 mm / Fan-out Diameter: 1.8 mm
- Max. Tensile Strength: 200N
- Min. Bending Radius 20 mm
- Cable Color: OM3: Aqua, OM4: Violet

Optical Performance

Insertion Loss IEC 61300-3-4 Method B	Multi-Mode: ≤ 0.30 dB Max. 0.15 dB Typ.
Return Loss IEC61300-3-6 Method B	Multi-Mode: ≥ 35 dB

End-face Control Parameters

Geometry Inspection	IEC 61755-3-1
Visual Inspection	IEC 61300-3-35



Sample Coding * X (Tube Length) is standard 500 mm. Please contact us for different tube length

I - PC - 12 - FC - 318 - M4 - 12SCS - 06LCD - 005M

Type	Type	Fiber Count	Cable Type	Diameter	Fiber Type	Side A	Side B	Length
Indoor: I	Patch Cord: PC	12 Fibers: 12	Fan-out: FC	3.0/1.8 mm: 318	MM G.651 OM3: M3 MM G.651 OM4: M4 MM G.651 OM5: M5	SC-UPC: 12SCS LC-UPC: 06LCD	SC-UPC: 12SCS LC-UPC: 06LCD	--- M

24 Fiber Single-Mode Fan-out | 0.9 mm

Connector Specifications

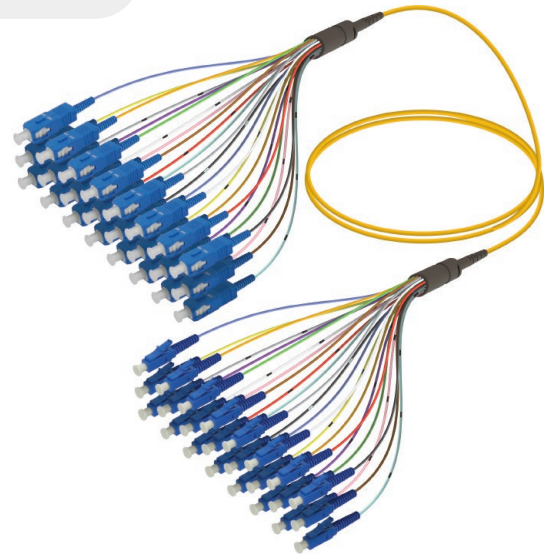
LC Connector Compliance	IEC 61754-20, TIA 604-10-A, RoHS
SC Connector Compliance	IEC 61754-4, TIA 604-3, RoHS
One Side Connector Count	24 Connectors
Alignment Technology	Full ceramic ferrule (Zirconia ZrO ₂)
Operating Temperature	-40°C to +85°C
Flammability	UL94 V-0
Durability	< 0.1 dB typical change for > 500 matings

Optical Performance

Insertion Loss IEC 61300-3-4 Method B	Single-Mode: ≤ 0.30 dB Max. 0.15 dB Typ.
Return Loss IEC61300-3-6 Method B	Single-Mode UPC: ≥ 50 dB Single-Mode APC: ≥ 60 dB

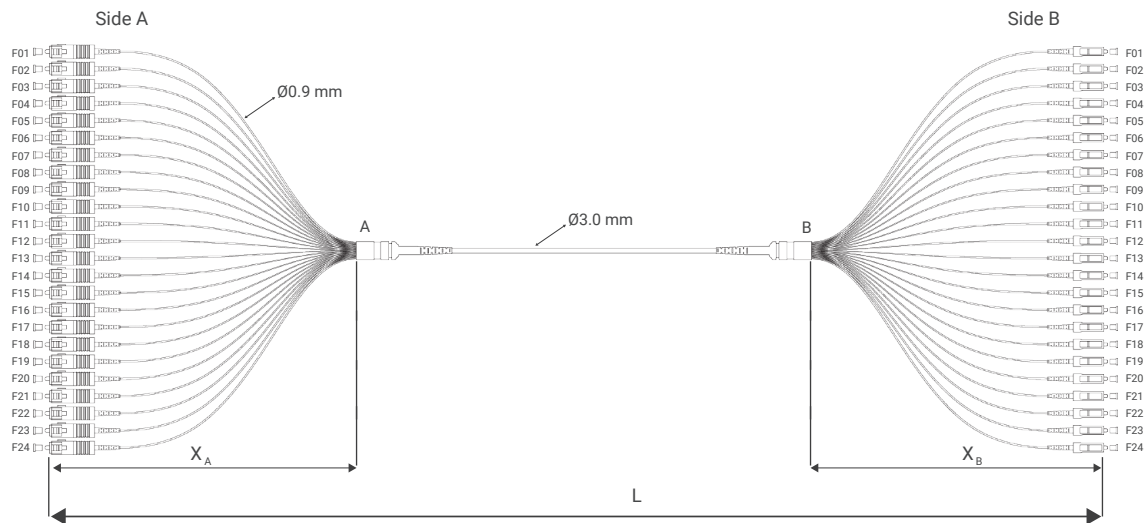
End-face Control Parameters

Geometry Inspection	UPC : IEC 61755-3-1 APC : IEC 61755-3-2
Visual Inspection	IEC 61300-3-35



Cable Specifications

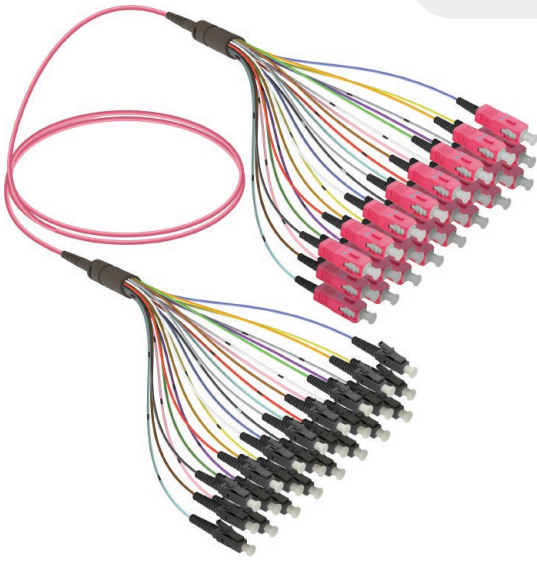
- 24 core distribution fiber optic cable
- CPR: Dca, s2, d0, a1
- Cable Diameter: 3.0 mm / Fan-out Diameter: 0.9 mm
- Max. Tensile Strength: 200N
- Min. Bending Radius 20 mm
- Cable Color: OS1/OS2: Yellow



Sample Coding * X (Tube Length) is standard 500 mm. Please contact us for different tube length

I - PC - 24 - FC - 309 - A2 - 24SCS - 24LCS - 005M

Type	Type	Fiber Count	Cable Type	Diameter	Fiber Type	Side A	Side B	Length
Indoor: I	Patch Cord: PC	24 Fibers: 24	Fan-out: FC	3.0/09 mm: 309	SM G.657 A2: A2	SC-UPC: 24SCS SC-APC: 24SAS LC-UPC: 24LCS LC-APC: 24LAS	SC-UPC: 24SCS SC-APC: 24SAS LC-UPC: 24LCS LC-APC: 24LAS	--- M



24 Fiber Multi-Mode Fan-out | 0.9 mm

Connector Specifications

LC Connector Compliance	IEC 61754-20, TIA 604-10-A, RoHS
SC Connector Compliance	IEC 61754-4, TIA 604-3, RoHS
One Side Connector Count	24 Connectors
Alignment Technology	Full ceramic ferrule (Zirconia ZrO ₂)
Operating Temperature	-40°C to +85°C
Flammability	UL94 V-0
Durability	< 0.1 dB typical change for > 500 matings

Cable Specifications

- 24 core distribution fiber optic cable
- CPR: Dca, s2, d0, a1
- Cable Diameter: 3.0 mm / Fan-out Diameter: 0.9 mm
- Max. Tensile Strength: 200N
- Min. Bending Radius 20 mm
- Cable Color: OM3: Aqua, OM4: Violet

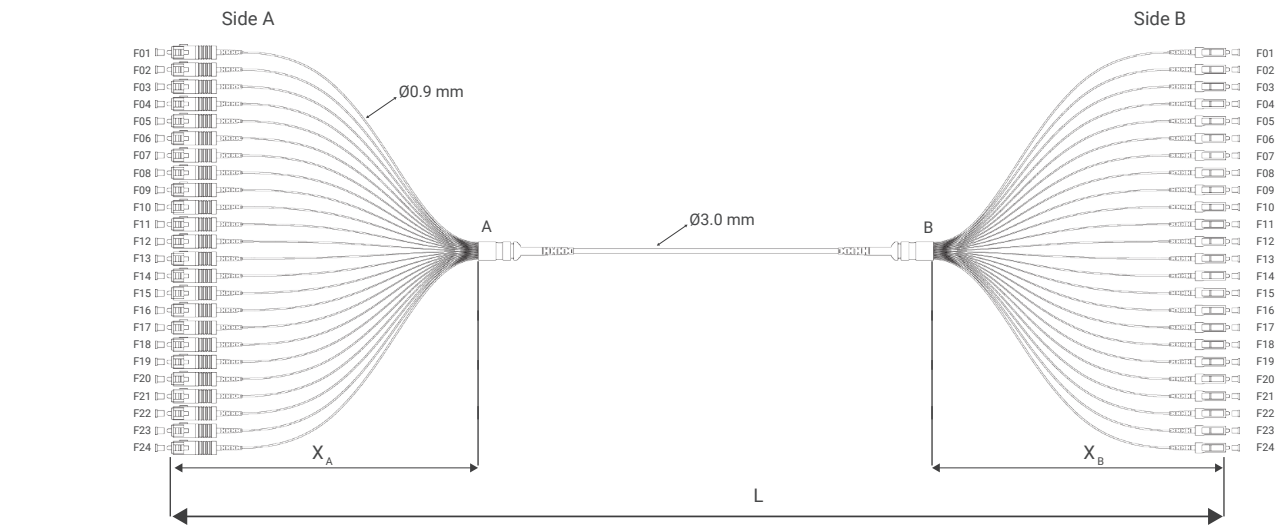
Optical Performance

Insertion Loss IEC 61300-3-4 Method B	Multi-Mode: ≤ 0.30 dB Max. 0.15 dB Typ.
Return Loss IEC61300-3-6 Method B	Multi-Mode: ≥ 35 dB



End-face Control Parameters

Geometry Inspection	IEC 61755-3-1
Visual Inspection	IEC 61300-3-35



Sample Coding * X (Tube Length) is standard 500 mm. Please contact us for different tube length

I - PC - 24 - FC - 309 - M4 - 24SCS - 24LCS - 005M

Type	Type	Fiber Count	Cable Type	Diameter	Fiber Type	Side A	Side B	Length
Indoor: I	Patch Cord: PC	24 Fibers: 24	Fan-out: FC	3.0/09 mm: 309	MM G.651 OM3: M3 MM G.651 OM4: M4 MM G.651 OM5: M5	SC-UPC: 24SCS LC-UPC: 24LCS	SC-UPC: 24SCS LC-UPC: 24LCS	--- M

24 Fiber Single-Mode Fan-out | 1.8 mm

Connector Specifications

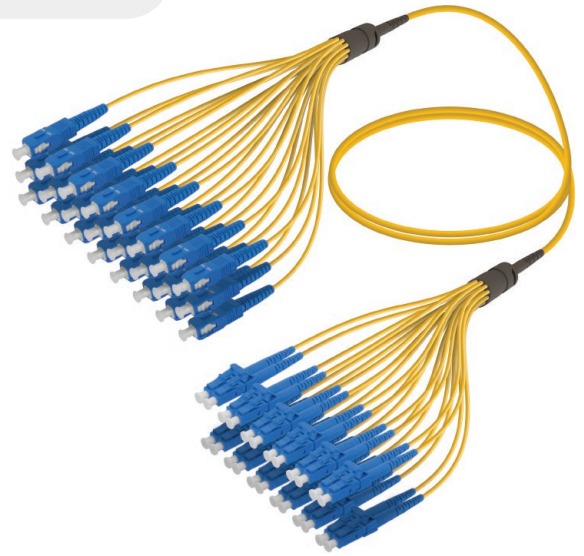
LC Connector Compliance	IEC 61754-20, TIA 604-10-A, RoHS
SC Connector Compliance	IEC 61754-4, TIA 604-3, RoHS
One Side Connector Count	24 Connectors
Alignment Technology	Full ceramic ferrule (Zirconia ZrO ₂)
Operating Temperature	-40°C to +85°C
Flammability	UL94 V-0
Durability	< 0.1 dB typical change for > 500 matings

Optical Performance

Insertion Loss	Single-Mode: ≤ 0.30 dB Max.
IEC 61300-3-4 Method B	0.15 dB Typ.
Return Loss	Single-Mode UPC: ≥ 50 dB
IEC61300-3-6 Method B	Single-Mode APC: ≥ 60 dB

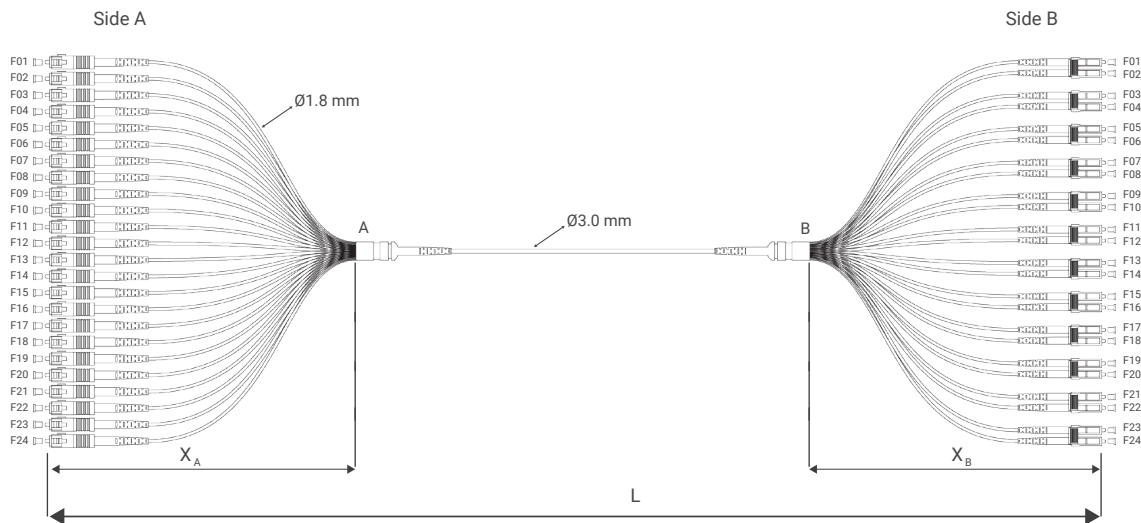
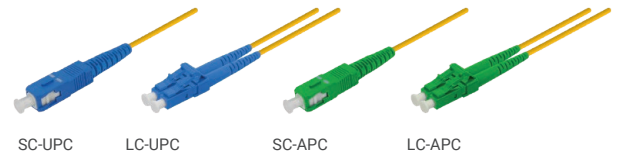
End-face Control Parameters

Geometry Inspection	UPC : IEC 61755-3-1 APC : IEC 61755-3-2
Visual Inspection	IEC 61300-3-35



Cable Specifications

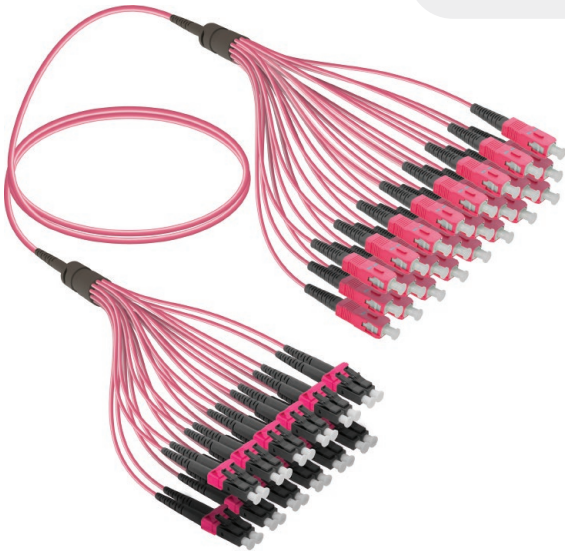
- 24 core distribution fiber optic cable
- CPR: Dca, s2, d0, a1
- Cable Diameter: 3.0 mm / Fan-out Diameter: 1.8 mm
- Max. Tensile Strength: 200N
- Min. Bending Radius 20 mm
- Cable Color: OS1/OS2: Yellow



Sample Coding * X (Tube Length) is standard 500 mm. Please contact us for different tube length

I - PC - 24 - FC - 318 - A2 - 24SCS - 12LCD - 005M

Type	Type	Fiber Count	Cable Type	Diameter	Fiber Type	Side A	Side B	Length
Indoor: I	Patch Cord: PC	24 Fibers: 24	Fan-out: FC	3.0/1.8 mm: 318	SM G.657 A2: A2	SC-UPC: 24SCS SC-APC: 24SAS LC-UPC: 12LCD LC-APC: 12LAD	SC-UPC: 24SCS SC-APC: 24SAS LC-UPC: 12LCD LC-APC: 12LAD	--- M



24 Fiber Multi-Mode Fan-out | 1.8 mm

Connector Specifications

LC Connector Compliance	IEC 61754-20, TIA 604-10-A, RoHS
SC Connector Compliance	IEC 61754-4, TIA 604-3, RoHS
One Side Connector Count	24 Connectors
Alignment Technology	Full ceramic ferrule (Zirconia ZrO ₂)
Operating Temperature	-40°C to +85°C
Flammability	UL94 V-0
Durability	< 0.1 dB typical change for > 500 matings

Cable Specifications

- 24 core distribution fiber optic cable
- CPR: Dca, s2, d0, a1
- Cable Diameter: 3.0 mm / Fan-out Diameter: 1.8 mm
- Max. Tensile Strength: 200N
- Min. Bending Radius 20 mm
- Cable Color: OM3: Aqua, OM4: Violet

Optical Performance

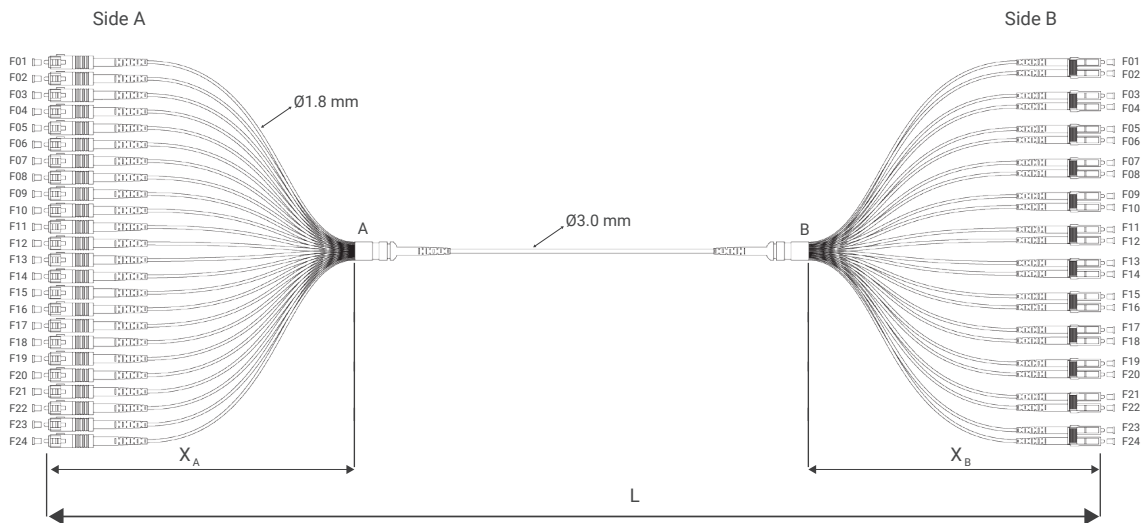
Insertion Loss IEC 61300-3-4 Method B	Multi-Mode: ≤ 0.30 dB Max. 0.15 dB Typ.
Return Loss IEC61300-3-6 Method B	Multi-Mode: ≥ 35 dB



SC OM3 LC OM3 SC OM4 LC OM4

End-face Control Parameters

Geometry Inspection	IEC 61755-3-1
Visual Inspection	IEC 61300-3-35



Sample Coding * X (Tube Length) is standard 500 mm. Please contact us for different tube length

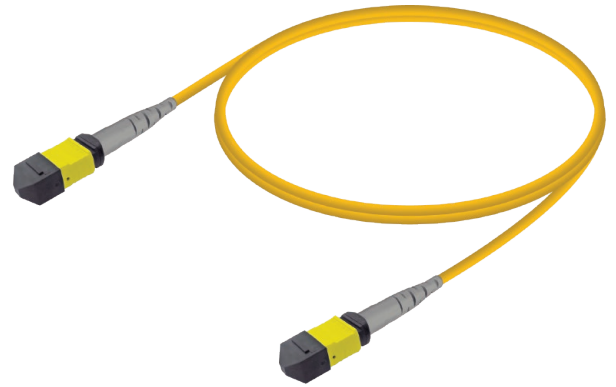
I - PC - 24 - FC - 318 - M4 - 24SCS - 12LCD - 005M

Type	Type	Fiber Count	Cable Type	Diameter	Fiber Type	Side A	Side B	Length
Indoor: I	Patch Cord: PC	24 Fibers: 24	Fan-out: FC	3.0/1.8 mm: 318	MM G.651 OM3: M3 MM G.651 OM4: M4 MM G.651 OM5: M5	SC-UPC: 24SCS LC-UPC: 12LCD	SC-UPC: 24SCS LC-UPC: 12LCD	... M

MTP-MTP Single-Mode Patch Cord

Connector Specifications

MTP Connector Compliance	IEC 61754-7, TIA 604-5, RoHS
Base-8	8 Fiber
Base-12	12 Fiber
Base-24	24 Fiber
Operating Temperature	-10°C to +70°C
Flammability	UL94 V-0
Durability	< 0.1 dB typical change for > 500 matings



Optical Performance

Insertion Loss IEC 61300-3-4 Method B	Single-Mode: ≤ 0.35 dB Max. 0.15 dB Typ.
Return Loss IEC61300-3-6 Method B	Single-Mode: ≥ 60 dB

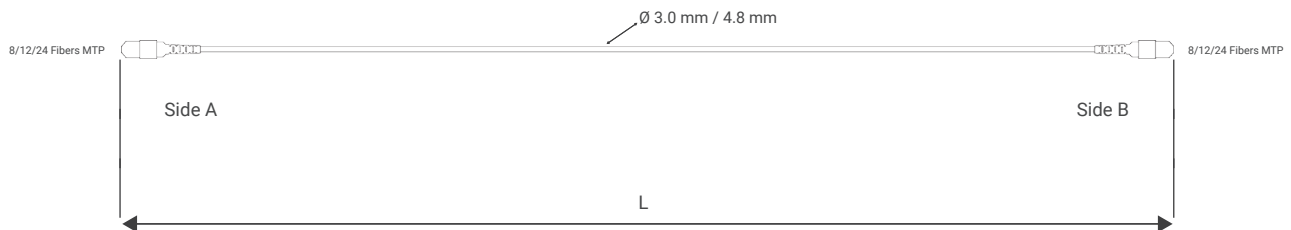
End-face Control Parameters

Geometry Inspection	IEC 61755-3-31
Visual Inspection	IEC 61300-3-35



Cable Specifications

- 8-12-24 core distribution fiber optic cable
- CPR: Dca, s2, d0, a1
- Cable Diameter: 3.0 mm / 4.8 mm
- Max. Tensile Strength: For 3.0 mm: 200 N
For 4.8 mm: 800 N
- Min. Bending Radius: For 3.0 mm: 20 mm
For 4.8 mm: 100 mm
- Cable Color: OS1/OS2: Yellow

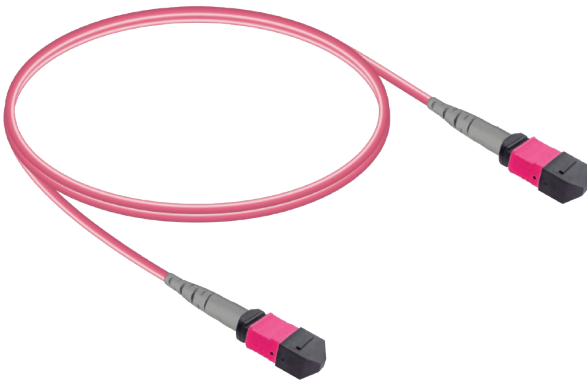


Sample Coding

I - PC - 08 - MT - 030 - A2 - B - MTPEf - MTPEf - 005M

Type	Type	Fiber Count	Cable Type	Diameter	Fiber Type	Polarization	Side A	Side B	Length
Indoor: I	Patch Cord: PC	8 Fibers: 08 12 Fibers: 12 24 Fibers: 24	MTP/MTP: MT	3.0 mm: 030 4.8 mm: 048	SM G.657 A2: A2	A Polarization: A B Polarization: B C Polarization: C	MTPEf (Female) MTPEm (Male)	MTPEf (Female) MTPEm (Male)	--- M

MTP-MTP Multi-Mode Patch Cord

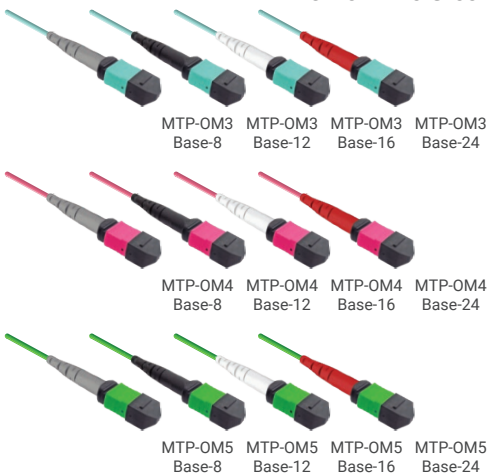


Connector Specifications

MTP Connector Compliance	IEC 61754-7, TIA 604-5, RoHS
Base-8 / Base-12	8 Fiber / 12 Fiber
Base-16	16 Fiber
Base-24	24 Fiber
Operating Temperature	-10°C to +70°C
Flammability	UL94 V-0
Durability	< 0.1 dB typical change for > 500 matings

Cable Specifications

- 8-12-16-24 core distribution fiber optic cable
- CPR: Dca, s2, d0, a1
- Cable Diameter: 3.0 mm / 4.8 mm
- Max. Tensile Strength: For 3.0 mm: 200/100 N
For 4.8 mm: 500/300 N
- Min. Bending Radius: For 3.0 mm: 60/30 mm
For 4.8 mm: 100/50 mm
- Cable Color: OM3: Aqua, OM4: Violet, OM5: Lime Green

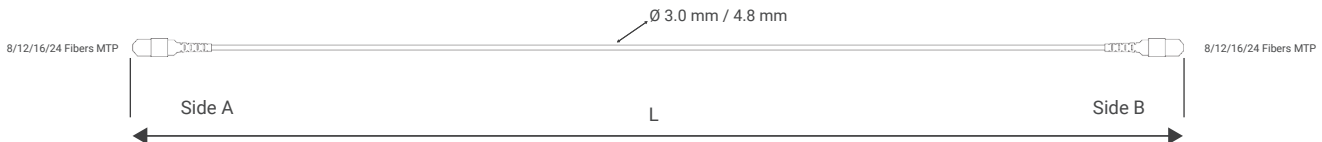
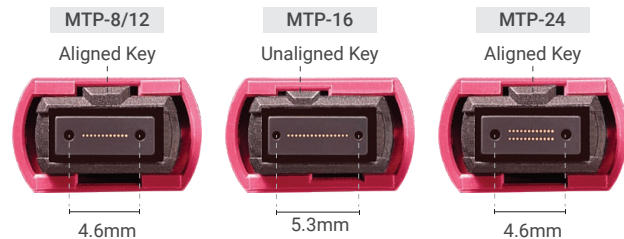


Optical Performance

Insertion Loss	Multi-Mode: ≤ 0.35 dB Max.
IEC 61300-3-4 Method B	0.15 dB Typ.
Return Loss	Multi-Mode: ≥ 20 dB
IEC61300-3-6 Method B	

End-face Control Parameters

Geometry Inspection	IEC 61755-3-31
Visual Inspection	IEC 61300-3-35



Sample Coding

I - PC - 08 - MT - 030 - M4 - B - MTPEF - MTPEf - 005M

Type	Type	Fiber Count	Cable Type	Diameter	Fiber Type	Polarization	Side A	Side B	Length
Indoor: I	Patch Cord: PC	8 Fibers: 08 12 Fibers: 12 16 Fibers: 16 24 Fibers: 24	MTP/MTP: MT	3.0 mm: 030 4.8 mm: 048	MM G.651 OM3: M3 MM G.651 OM4: M4 MM G.651 OM5: M5	A Polarization: A B Polarization: B C Polarization: C	MTPEf (Female) MTPEm (Male)	MTPEf (Female) MTPEm (Male)	--- M

8 Fiber SM MTP-LC Fan-out | 1.8 mm

Connector Specifications

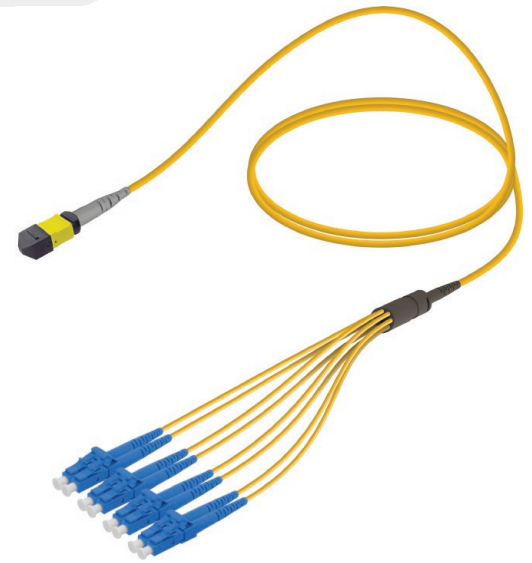
MTP Connector Compliance	IEC 61754-7, TIA 604-5, RoHS
LC Connector Compliance	IEC 61754-20, TIA 604-10-A, RoHS
Base-8	8 Fibers
Alignment Technology	Full ceramic ferrule (Zirconia ZrO ₂)
Operating Temperature	-10°C to +70°C
Flammability	UL94 V-0
Durability	< 0.1 dB typical change for > 500 matings

Optical Performance

Insertion Loss IEC 61300-3-4 Method B	MTP : ≤ 0.35 dB Max.; 0,15 dB Typ. LC : ≤ 0.30 dB Max.; 0,15 dB Typ.
Return Loss IEC61300-3-6 Method B	MTP : ≥ 60 dB LC : UPC ≥ 50 dB ; APC ≥ 60 dB

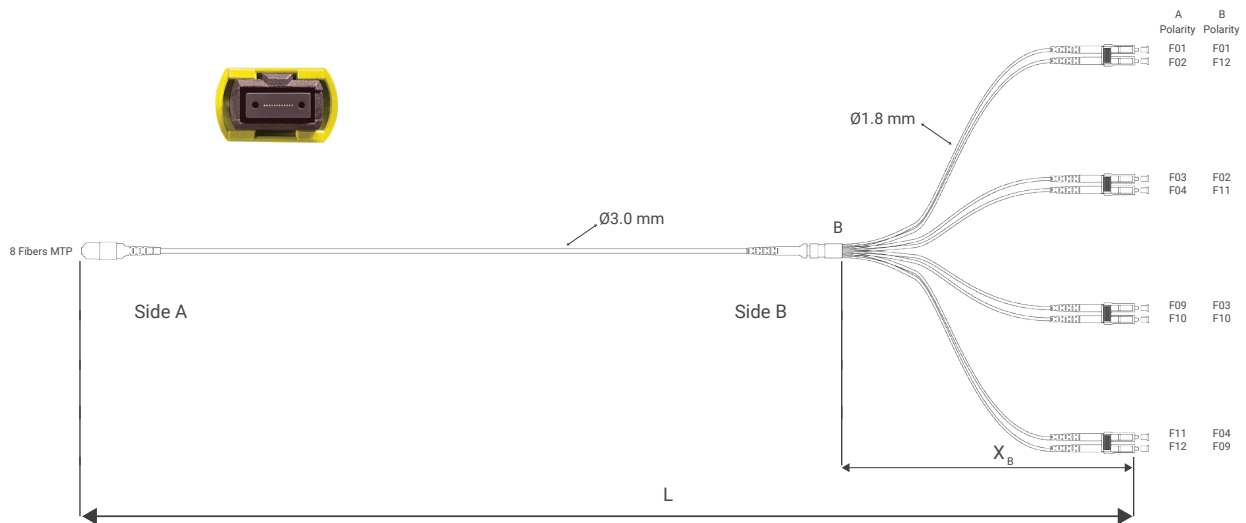
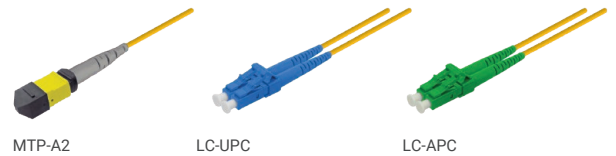
End-face Control Parameters

Geometry Inspection	MFC: IEC 61755-3-31 SFC (UPC/APC): IEC 61755-3-1/2
Visual Inspection	IEC 61300-3-35



Cable Specifications

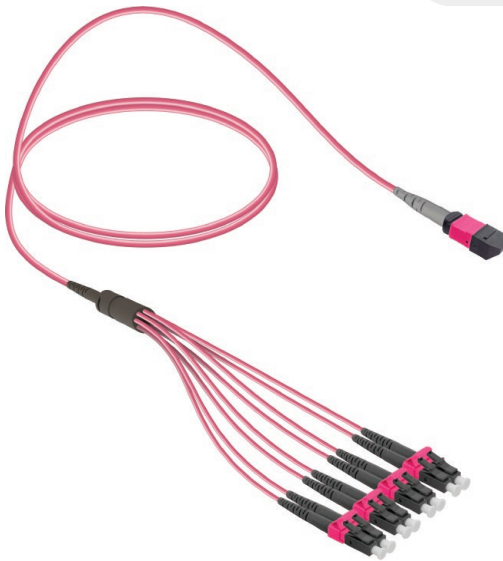
- 8 core distribution fiber optic cable
- CPR: Dca, s2, d0, a1
- Cable Diameter: 3.0 mm / Fan-out Diameter: 1.8 mm
- Max. Tensile Strength: 200N
- Min. Bending Radius 20 mm
- Cable Color: OS1/OS2: Yellow



Sample Coding * X (Tube Length) is standard 500 mm. Please contact us for different tube length.

I - PC - 08 - MF - 318 - A2 - B - MTPEf - 04LCD - 005M

Type	Type	Fiber Count	Cable Type	Diameter	Fiber Type	Polarization	Side A	Side B	Length
Indoor: I	Patch Cord: PC	8 Fibers: 08	MTP/Fan-out: MF	3.0/1.8 mm: 318	SM G.657 A2: A2	A Polarization: A B Polarization: B	MTPEf (Female) MTPEm (Male)	LC-UPC: 04LCD LC-APC: 04LAD	... M



8 Fiber MM MTP-LC Fan-out | 1.8 mm

Connector Specifications

MTP Connector Compliance	IEC 61754-7, TIA 604-5, RoHS
LC Connector Compliance	IEC 61754-20, TIA 604-10-A, RoHS
Base-8	8 Fibers
Alignment Technology	Full ceramic ferrule (Zirconia ZrO ₂)
Operating Temperature	-10°C to +70°C
Flammability	UL94 V-0
Durability	< 0.1 dB typical change for > 500 matings

Cable Specifications

- 8 core distribution fiber optic cable
- CPR: Dca, s2, d0, a1
- Cable Diameter: 3.0 mm / Fan-out Diameter: 1.8 mm
- Max. Tensile Strength: 200N
- Min. Bending Radius 20 mm
- Cable Color: OM3: Aqua, OM4: Violet

Optical Performance

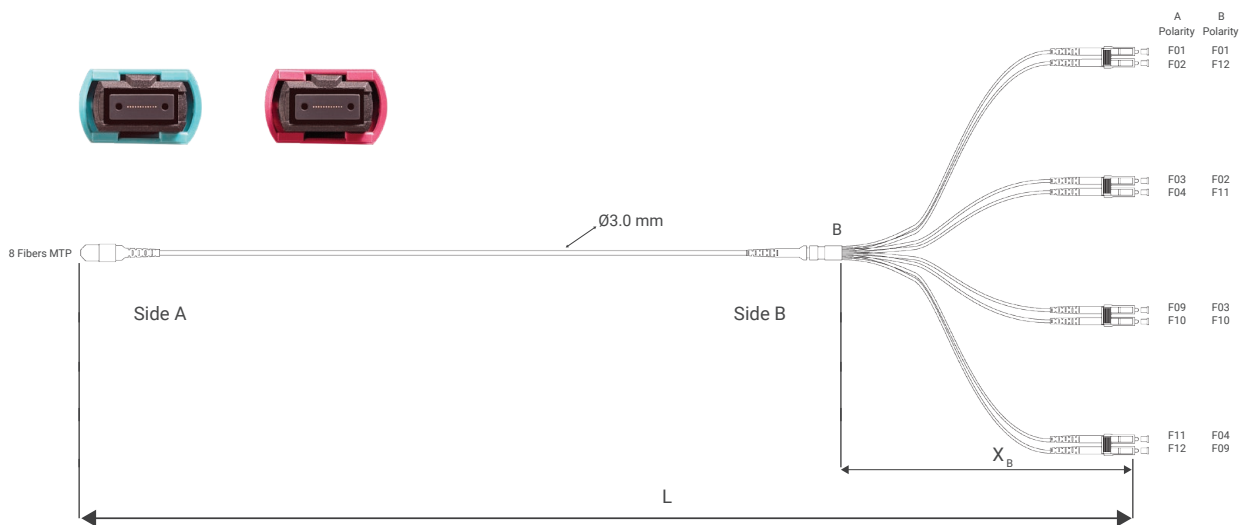
Insertion Loss	MTP : ≤ 0.35 dB Max.; 0,15 dB Typ.
IEC 61300-3-4 Method B	LC : ≤ 0.30 dB Max.; 0,15 dB Typ.
Return Loss	MTP : ≥ 20 dB
IEC61300-3-6 Method B	LC : ≥ 35 dB

End-face Control Parameters

Geometry Inspection	MFC: IEC 61755-3-31 SFC: IEC 61755-3-1
Visual Inspection	IEC 61300-3-35



MTP-OM3 LC-OM3 MTP-OM4 LC-OM4



Sample Coding * X (Tube Length) is standard 500 mm. Please contact us for different tube length.

I - PC - 08 - MF - 318 - M4 - B - MTPEf - 04LCD - 005M

Type	Type	Fiber Count	Cable Type	Diameter	Fiber Type	Polarization	Side A	Side B	Length
Indoor: I	Patch Cord: PC	8 Fibers: 08	MTP/Fan-out: MF	3.0/1.8 mm: 318	MM G.651 OM3: M3 MM G.651 OM4: M4 MM G.651 OM5: M5	A Polarization: A B Polarization: B	MTPEf (Female) MTPEm (Male)	LC-UPC: 04LCD	--- M

12 Fiber SM MTP-LC Fan-out | 1.8 mm

Connector Specifications

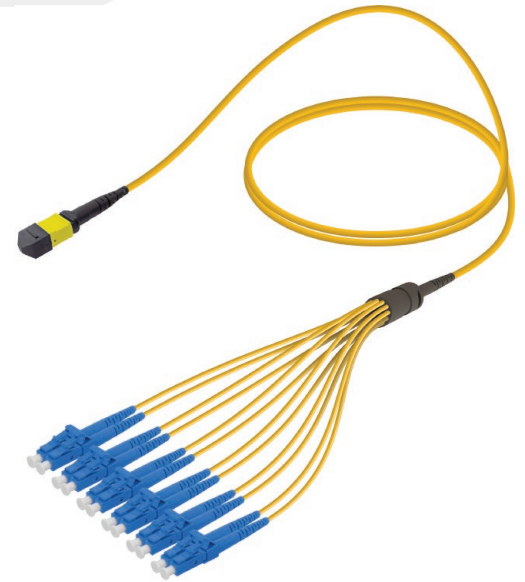
MTP Connector Compliance	IEC 61754-7, TIA 604-5, RoHS
LC Connector Compliance	IEC 61754-20, TIA 604-10-A, RoHS
Base-12	12 Fibers
Alignment Technology	Full ceramic ferrule (Zirconia ZrO ₂)
Operating Temperature	-10°C to +70°C
Flammability	UL94 V-0
Durability	< 0.1 dB typical change for > 500 matings

Optical Performance

Insertion Loss IEC 61300-3-4 Method B	MTP : ≤ 0.35 dB Max.; 0,15 dB Typ. LC : ≤ 0.30 dB Max.; 0,15 dB Typ.
Return Loss IEC61300-3-6 Method B	MTP : ≥ 60 dB LC : UPC ≥ 50 dB ; APC ≥ 60 dB

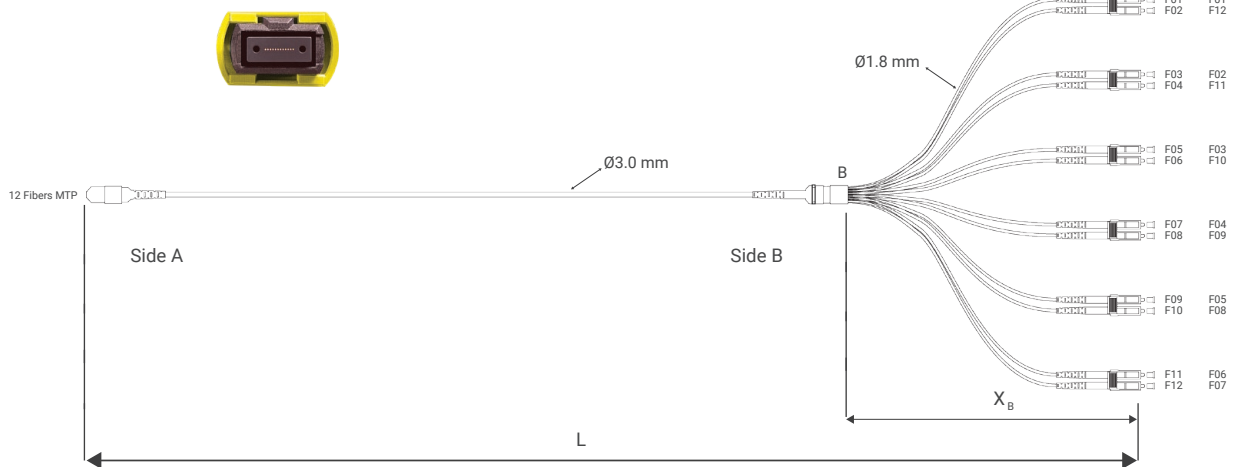
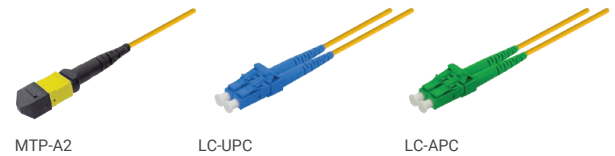
End-face Control Parameters

Geometry Inspection	MFC: IEC 61755-3-31 SFC (UPC/APC): IEC 61755-3-1/2
Visual Inspection	IEC 61300-3-35



Cable Specifications

- 12 core distribution fiber optic cable
- CPR: Dca, s2, d0, a1
- Cable Diameter: 3.0 mm / Fan-out Diameter: 1.8 mm
- Max. Tensile Strength: 200N
- Min. Bending Radius 20 mm
- Cable Color: OS1/OS2: Yellow

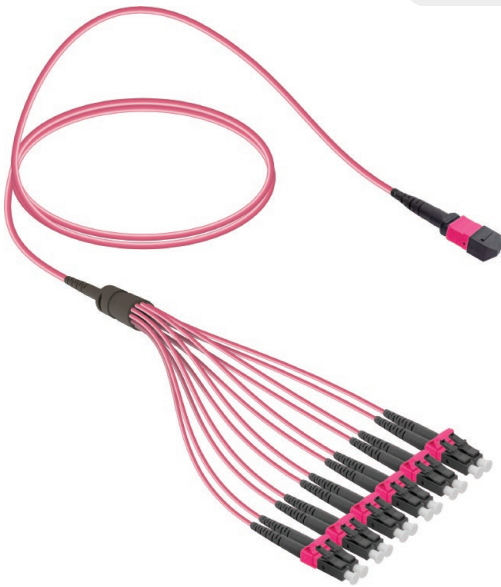


Sample Coding * X (Tube Length) is standard 500 mm. Please contact us for different tube length.

I - PC - 12 - MF - 318 - A2 - B - MTPeF - 06LCD - 005M

Type	Type	Fiber Count	Cable Type	Diameter	Fiber Type	Polarization	Side A	Side B	Length
Indoor: I	Patch Cord: PC	12 Fibers: 12	MTP/Fan-out: MF	3.0/1.8 mm: 318	SM G.657 A2: A2	A Polarization: A B Polarization: B	MTPeF (Female) MTPem (Male)	LC-UPC: 06LCD LC-APC: 06LAD	... M

12 Fiber MM MTP-LC Fan-out | 1.8 mm



Connector Specifications

MTP Connector Compliance	IEC 61754-7, TIA 604-5, RoHS
LC Connector Compliance	IEC 61754-20, TIA 604-10-A, RoHS
Base-12	12 Fibers
Alignment Technology	Full ceramic ferrule (Zirconia ZrO ₂)
Operating Temperature	-10°C to +70°C
Flammability	UL94 V-0
Durability	< 0.1 dB typical change for > 500 matings

Cable Specifications

- 12 core distribution fiber optic cable
- CPR: Dca, s2, d0, a1
- Cable Diameter: 3.0 mm / Fan-out Diameter: 1.8 mm
- Max. Tensile Strength: 200N
- Min. Bending Radius 20 mm
- Cable Color: OM3: Aqua, OM4: Violet

Optical Performance

Insertion Loss	MTP : ≤ 0.35 dB Max.; 0,15 dB Typ.
IEC 61300-3-4 Method B	LC : ≤ 0.30 dB Max.; 0,15 dB Typ.
Return Loss	MTP : ≥ 20 dB
IEC61300-3-6 Method B	LC : ≥ 35 dB

End-face Control Parameters

Geometry Inspection	MFC: IEC 61755-3-31 SFC: IEC 61755-3-1
Visual Inspection	IEC 61300-3-35

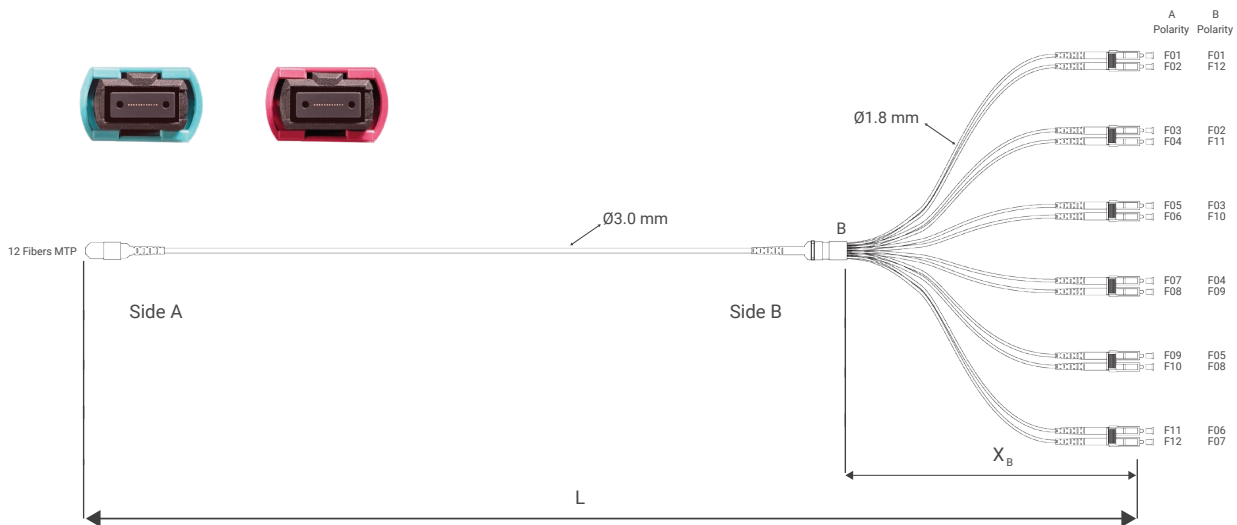


MTP-OM3

LC-OM3

MTP-OM4

LC-OM4



Sample Coding * X (Tube Length) is standard 500 mm. Please contact us for different tube length.

I - PC - 12 - MF - 318 - M4 - B - MTPEf - 06LCD - 005M

Type	Type	Fiber Count	Cable Type	Diameter	Fiber Type	Polarization	Side A	Side B	Length
Indoor: I	Patch Cord: PC	12 Fibers: 12	MTP/Fan-out: MF	3.0/1.8 mm: 318	MM G.651 OM3: M3 MM G.651 OM4: M4 MM G.651 OM5: M5	A Polarization: A B Polarization: B	MTPEf (Female) MTPEm (Male)	LC-UPC: 06LCD	--- M

24 Fiber SM MTP-LC Fan-out | 1.8 mm

Connector Specifications

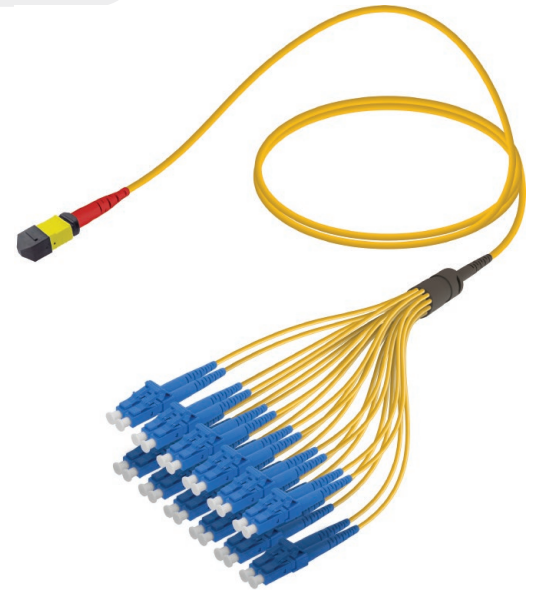
MTP Connector Compliance	IEC 61754-7, TIA 604-5, RoHS
LC Connector Compliance	IEC 61754-20, TIA 604-10-A, RoHS
Base-24	24 Fibers
Alignment Technology	Full ceramic ferrule (Zirconia ZrO ₂)
Operating Temperature	-10°C to +70°C
Flammability	UL94 V-0
Durability	< 0.1 dB typical change for > 500 matings

Optical Performance

Insertion Loss	MTP : ≤ 0.35 dB Max.; 0,15 dB Typ.
IEC 61300-3-4 Method B	LC : ≤ 0.30 dB Max.; 0,15 dB Typ.
Return Loss	MTP : ≥ 60 dB
IEC61300-3-6 Method B	LC : UPC ≥ 50 dB ; APC ≥ 60 dB

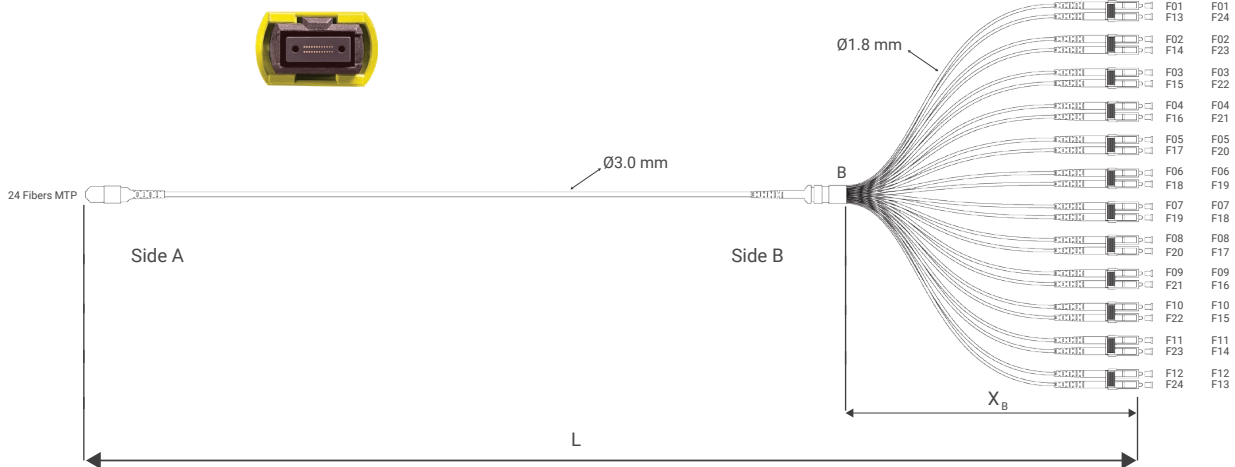
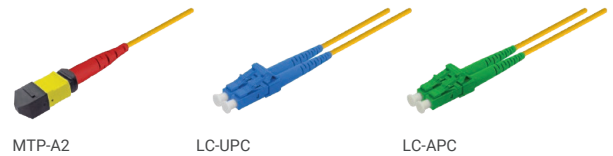
End-face Control Parameters

Geometry Inspection	MFC: IEC 61755-3-31 SFC (UPC/APC): IEC 61755-3-1/2
Visual Inspection	IEC 61300-3-35



Cable Specifications

- 24 core distribution fiber optic cable
- CPR: Dca, s2, d0, a1
- Cable Diameter: 3.0 mm / Fan-out Diameter: 1.8 mm
- Max. Tensile Strength: 200N
- Min. Bending Radius 20 mm
- Cable Color: OS1/OS2: Yellow

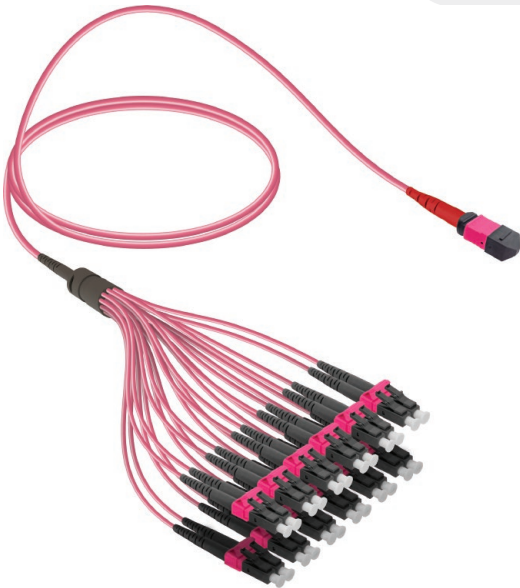


Sample Coding * X (Tube Length) is standard 500 mm. Please contact us for different tube length.

I - PC - 24 - MF - 318 - A2 - B - MTPef - 12LCD - 005M

Type	Type	Fiber Count	Cable Type	Diameter	Fiber Type	Polarization	Side A	Side B	Length
Indoor: I	Patch Cord: PC	24 Fibers: 24	MTP/Fan-out: MF	3.0/1.8 mm: 318	SM G.657 A2: A2	A Polarization: A B Polarization: B	MTPef (Female) MTPem (Male)	LC-UPC: 12LCD LC-APC: 12LAD	... M

24 Fiber MM MTP-LC Fan-out | 1.8 mm



Connector Specifications

MTP Connector Compliance	IEC 61754-7, TIA 604-5, RoHS
LC Connector Compliance	IEC 61754-20, TIA 604-10-A, RoHS
Base-24	24 Fibers
Alignment Technology	Full ceramic ferrule (Zirconia ZrO ₂)
Operating Temperature	-10°C to +70°C
Flammability	UL94 V-0
Durability	< 0.1 dB typical change for > 500 matings

Cable Specifications

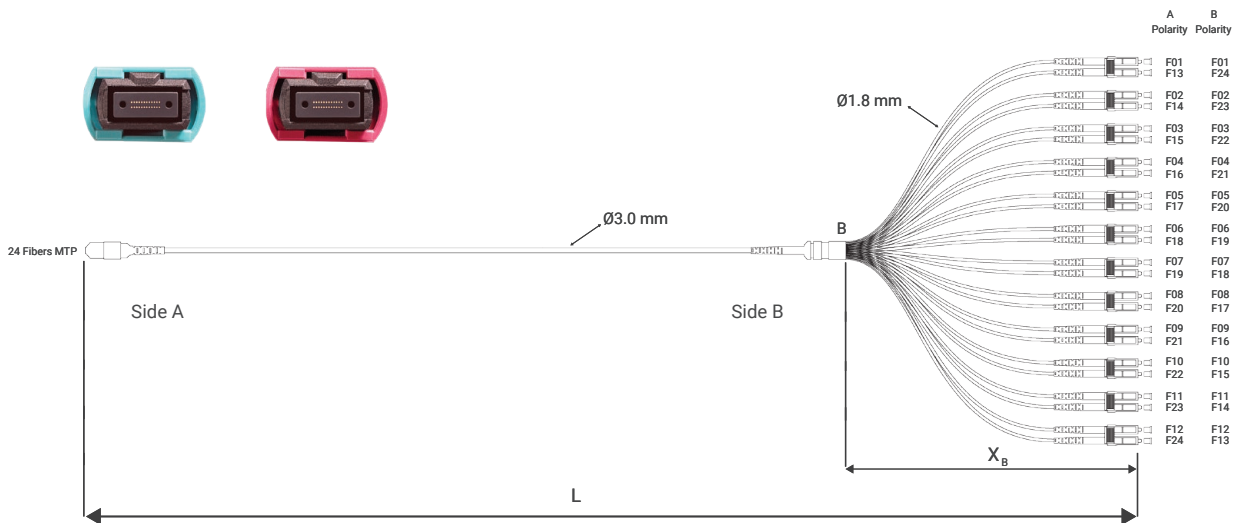
- 24 core distribution fiber optic cable
- CPR: Dca, s2, d0, a1
- Cable Diameter: 3.0 mm / Fan-out Diameter: 1.8 mm
- Max. Tensile Strength: 200N
- Min. Bending Radius 20 mm
- Cable Color: OM3: Aqua, OM4: Violet

Optical Performance

Insertion Loss	MTP : ≤ 0.35 dB Max.; 0,15 dB Typ.
IEC 61300-3-4 Method B	LC : ≤ 0.30 dB Max.; 0,15 dB Typ.
Return Loss	MTP : ≥ 20 dB
IEC61300-3-6 Method B	LC : ≥ 35 dB

End-face Control Parameters

Geometry Inspection	MFC: IEC 61755-3-31 SFC: IEC 61755-3-1
Visual Inspection	IEC 61300-3-35



Sample Coding * X (Tube Length) is standard 500 mm. Please contact us for different tube length.

I - PC - 24 - MF - 318 - M4 - B - MTPEF - 12LCD - 005M

Type	Type	Fiber Count	Cable Type	Diameter	Fiber Type	Polarization	Side A	Side B	Length
Indoor: I	Patch Cord: PC	24 Fibers: 24	MTP/Fan-out: MF	3.0/1.8 mm: 318	MM G.651 OM3: M3 MM G.651 OM4: M4 MM G.651 OM5: M5	A Polarization: A B Polarization: B	MTPEf (Female) MTPEm (Male)	LC-UPC: 12LCD	--- M

2xMTP-2xMTP Single-Mode Breakout

Connector Specifications

MTP Connector Compliance	IEC 61754-7, TIA 604-5, RoHS
Base-8	16 Fiber 2x8
Base-12	24 Fiber 2x12
Base-24	48 Fiber 2x24
Operating Temperature	-10°C to +70°C
Flammability	UL94 V-0
Durability	< 0.2 dB typical change for > 500 matings

Optical Performance

Insertion Loss	Single-Mode: ≤ 0.35 dB Max.
IEC 61300-3-4 Method B	0.15 dB Typ.
Return Loss	Single-Mode: ≥ 60 dB
IEC61300-3-6 Method B	

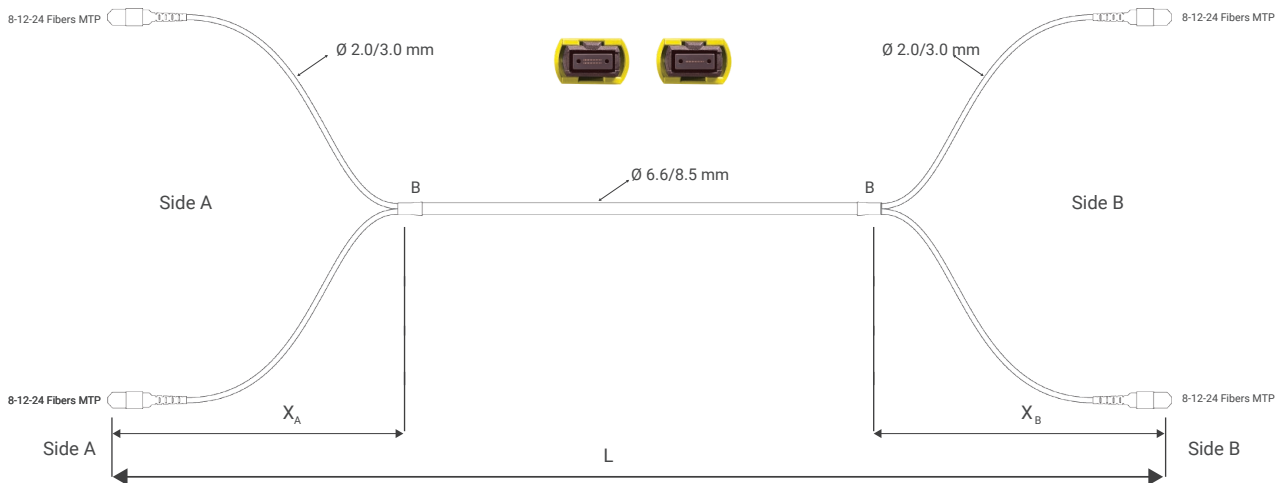
End-face Control Parameters

Geometry Inspection	IEC 61755-3-31
Visual Inspection	IEC 61300-3-35



Cable Specifications

- 16/24/48 core breakout cable construction:
Cable: 6.6 mm; Sub-unit: 2.0 mm
Cable: 8.5 mm; Sub-unit: 3.0 mm
- Max. Tensile Strength: 600N
- Min. Bending Radius 90 mm
- Cable Color: OS1/OS2: Yellow



Sample Coding

* X Length is standard 1000 mm. Please contact us for different tube length.

I - PC - 24 - MB - 662 - A2 - B - 02MTPEF - 02MTPEF - 005M

Type	Type	Fiber Count	Cable Type	Diameter	Fiber Type	Polarization	Side A	Side B	Length
Indoor: I	Patch Cord: PC	8x2 Fibers: 16 12x2 Fibers: 24 24x2 Fibers: 48	MTP/Breakout: MB	6.6/2.0 mm: 662 8.5/3.0 mm: 853	SM G.657 A2: A2	A Polarization: A B Polarization: B C Polarization: C	02MTPEF (Female) 02MTPEm (Male)	02MTPEF (Female) 02MTPEm (Male)	--- M



2xMTP-2xMTP Multi-Mode Breakout

Connector Specifications

MTP Connector Compliance	IEC 61754-7, TIA 604-5, RoHS
Base-8	16 Fiber 2x8
Base-12	24 Fiber 2x12
Base-24	48 Fiber 2x24
Operating Temperature	-10°C to +70°C
Flammability	UL94 V-0
Durability	< 0.2 dB typical change for > 500 matings

Cable Specifications

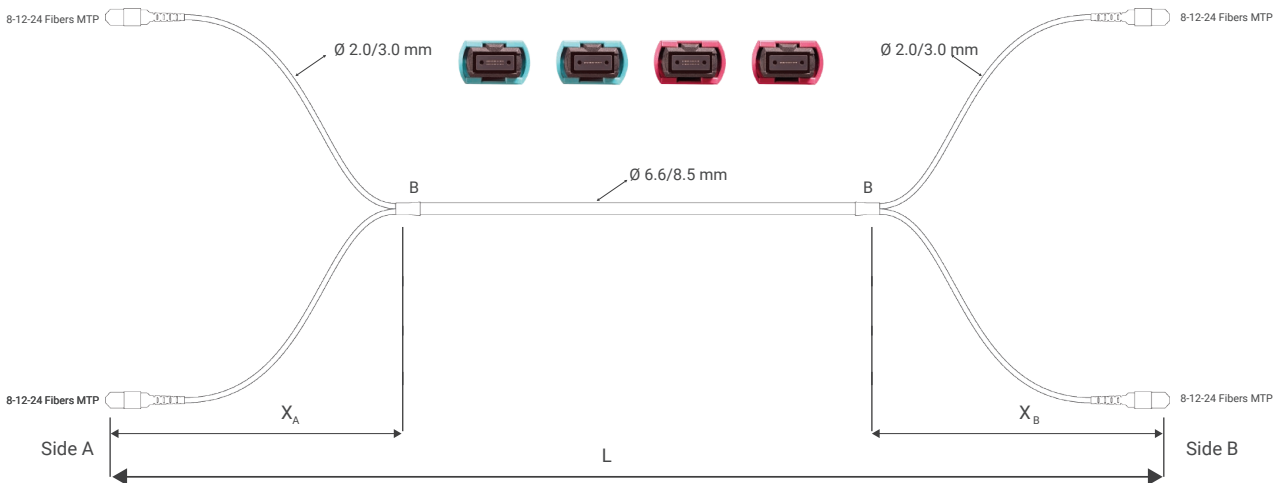
- 16/24/48 core breakout cable construction:
Cable: 6.6 mm; Sub-unit: 2.0 mm
Cable: 8.5 mm; Sub-unit: 3.0 mm
- Max. Tensile Strength: 600N
- Min. Bending Radius 90 mm
- Cable Color: OM3: Aqua, OM4: Violet

Optical Performance

Insertion Loss IEC 61300-3-4 Method B	Multi-Mode: ≤ 0.35 dB Max. 0.15 dB Typ.
Return Loss IEC61300-3-6 Method B	Multi-Mode: ≥ 20 dB

End-face Control Parameters

Geometry Inspection	IEC 61755-3-31
Visual Inspection	IEC 61300-3-35



Sample Coding

* X Length is standard 1000 mm. Please contact us for different tube length.

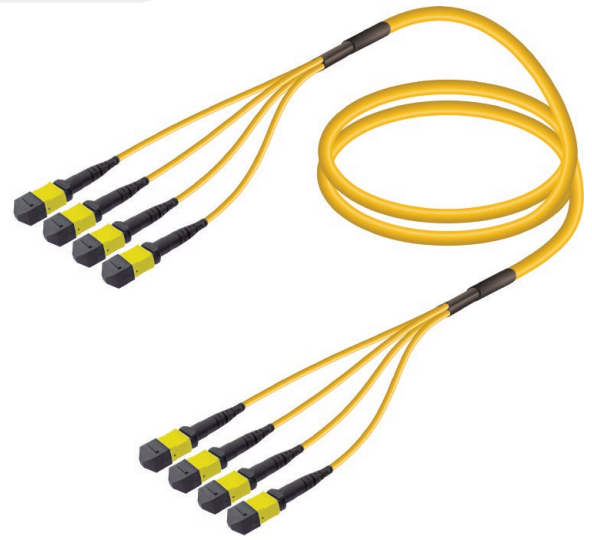
I - PC - 24 - MB - 662 - M4 - B - 02MTPEf - 02MTPEf - 005M

Type	Type	Fiber Count	Cable Type	Diameter	Fiber Type	Polarization	Side A	Side B	Length
Indoor: I	Patch Cord: PC	8x2 Fibers: 16 12x2 Fibers: 24 24x2 Fibers: 48	MTP/Breakout: MB	6.6/2.0 mm: 662 8.5/3.0 mm: 853	MM G.651 OM3: M3 MM G.651 OM4: M4 MM G.651 OM5: M5	A Polarization: A B Polarization: B C Polarization: C	02MTPEf (Female) 02MTPEm (Male)	02MTPEf (Female) 02MTPEm (Male)	--- M

4xMTP-4xMTP Single-Mode Breakout

Connector Specifications

MTP Connector Compliance	IEC 61754-7, TIA 604-5, RoHS
Base-8	32 Fiber 4x8
Base-12	48 Fiber 4x12
Base-24	96 Fiber 4x24
Operating Temperature	-10°C to +70°C
Flammability	UL94 V-0
Durability	< 0.2 dB typical change for > 500 matings



Optical Performance

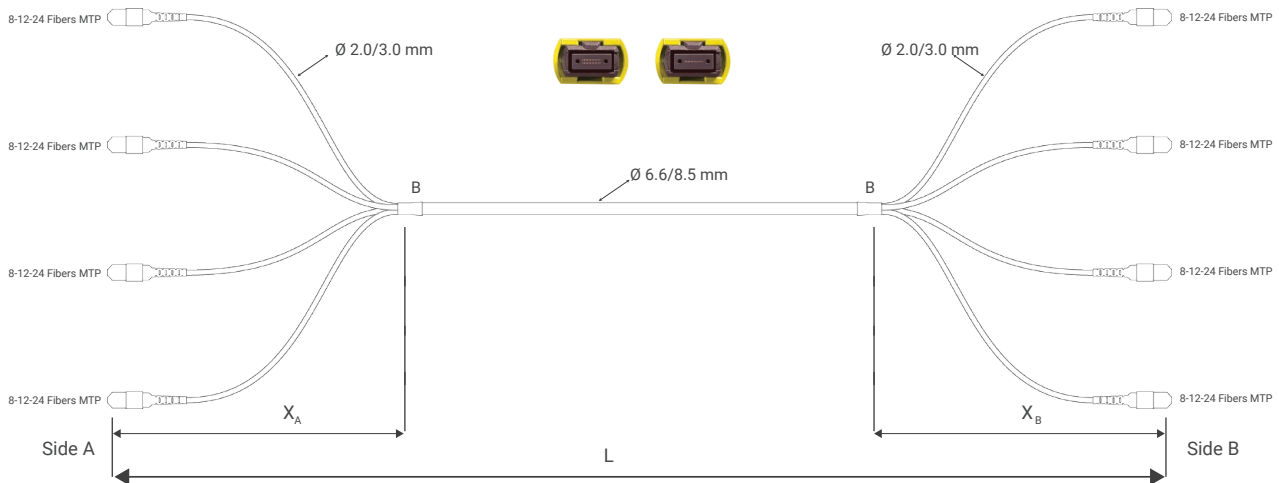
Insertion Loss	Single-Mode: ≤ 0.35 dB Max.
IEC 61300-3-4 Method B	0.15 dB Typ.
Return Loss	Single-Mode: ≥ 60 dB
IEC61300-3-6 Method B	

End-face Control Parameters

Geometry Inspection	IEC 61755-3-31
Visual Inspection	IEC 61300-3-35

Cable Specifications

- 32/48/96 core breakout cable construction:
Cable: 6.6 mm; Sub-unit: 2.0 mm
Cable: 8.5 mm; Sub-unit: 3.0 mm
- Max. Tensile Strength: 600N
- Min. Bending Radius 90 mm
- Cable Color: OS1/OS2: Yellow



Sample Coding

* X Length is standard 1000 mm. Please contact us for different tube length.

I - PC - 48 - MB - 662 - A2 - B - 04MTPEf - 04MTPEf - 005M

Type	Type	Fiber Count	Cable Type	Diameter	Fiber Type	Polarization	Side A	Side B	Length
Indoor: I	Patch Cord: PC	8x4 Fibers: 32 12x4 Fibers: 48 24x4 Fibers: 96	MTP/Breakout: MB	6.6/2.0 mm: 662 8.5/3.0 mm: 853	SM G.657 A2: A2	A Polarization: A B Polarization: B C Polarization: C	04MTPEf (Female) 04MTPEm (Male)	04MTPEf (Female) 04MTPEm (Male)	... M



4xMTP-4xMTP Multi-Mode Breakout

Connector Specifications

MTP Connector Compliance	IEC 61754-7, TIA 604-5, RoHS
Base-8	32 Fiber 4x8
Base-12	48 Fiber 4x12
Base-24	96 Fiber 4x24
Operating Temperature	-10°C to +70°C
Flammability	UL94 V-0
Durability	< 0.2 dB typical change for > 500 matings

Cable Specifications

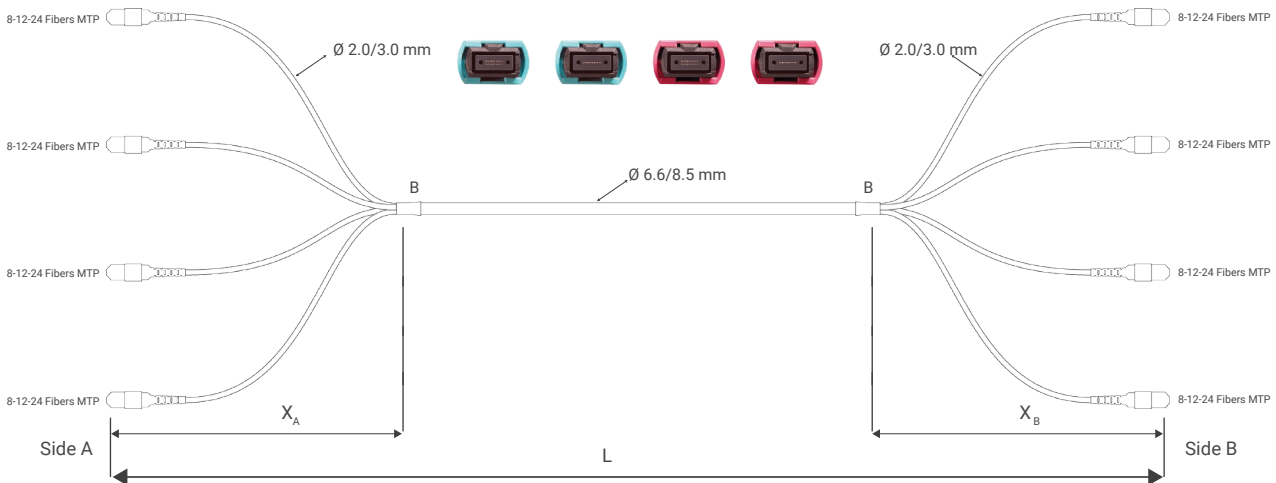
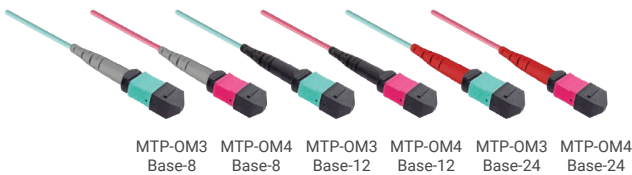
- 32/48/96 core breakout cable construction:
Cable: 6.6 mm; Sub-unit: 2.0 mm
Cable: 8.5 mm; Sub-unit: 3.0 mm
- Max. Tensile Strength: 600N
- Min. Bending Radius 90 mm
- Cable Color: OM3: Aqua, OM4: Violet

Optical Performance

Insertion Loss IEC 61300-3-4 Method B	Multi-Mode: ≤ 0.35 dB Max. 0.15 dB Typ.
Return Loss IEC61300-3-6 Method B	Multi-Mode: ≥ 20 dB

End-face Control Parameters

Geometry Inspection	IEC 61755-3-31
Visual Inspection	IEC 61300-3-35



Sample Coding

* X Length is standard 1000 mm. Please contact us for different tube length.

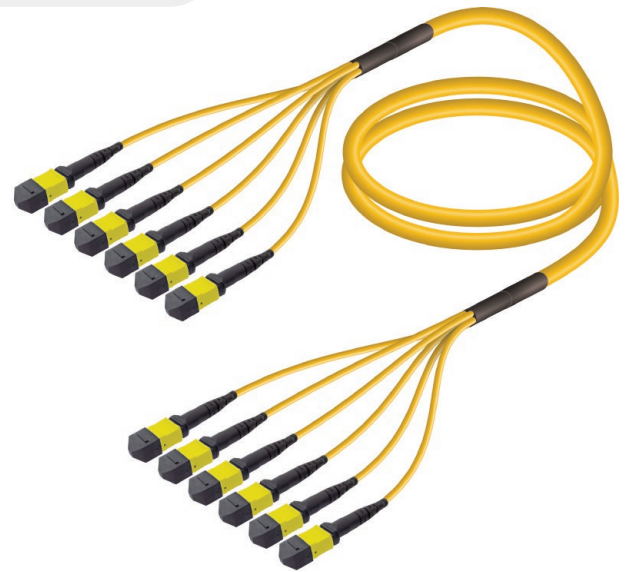
I - PC - 48 - MB - 662 - M4 - B - 04MTPEf - 04MTPEf - 005M

Type	Type	Fiber Count	Cable Type	Diameter	Fiber Type	Polarization	Side A	Side B	Length
Indoor: I	Patch Cord: PC	8x4 Fibers: 32 12x4 Fibers: 48 24x4 Fibers: 96	MTP/Breakout: MB	6.6/2.0 mm: 662 8.5/3.0 mm: 853	MM G.651 OM3: M3 MM G.651 OM4: M4 MM G.651 OM5: M5	A Polarization: A B Polarization: B C Polarization: C	04MTPEf (Female) 04MTPEm (Male)	04MTPEf (Female) 04MTPEm (Male)	--- M

6xMTP-6xMTP Single-Mode Breakout

Connector Specifications

MTP Connector Compliance	IEC 61754-7, TIA 604-5, RoHS
Base-8	48 Fiber 6x8
Base-12	72 Fiber 6x12
Base-24	144 Fiber 6x24
Operating Temperature	-10°C to +70°C
Flammability	UL94 V-0
Durability	< 0.2 dB typical change for > 500 matings



Optical Performance

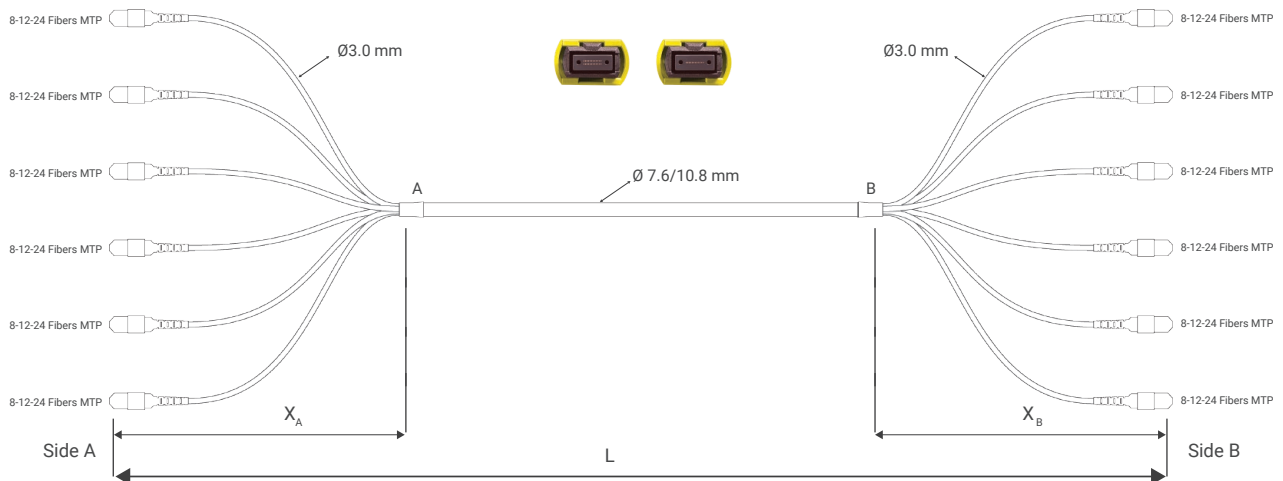
Insertion Loss	Single-Mode: ≤ 0.35 dB Max.
IEC 61300-3-4 Method B	0.15 dB Typ.
Return Loss	Single-Mode: ≥ 60 dB
IEC61300-3-6 Method B	

End-face Control Parameters

Geometry Inspection	IEC 61755-3-31
Visual Inspection	IEC 61300-3-35

Cable Specifications

- 48/72/144 core breakout cable construction:
Cable: 7.6 mm; Sub-unit: 2.0 mm
Cable: 10.8 mm; Sub-unit: 3.0 mm
- CPR: Dca, s2, d0, a1
- Max. Tensile Strength: 800N
- Min. Bending Radius 110 mm
- Cable Color: OS1/OS2: Yellow



Sample Coding

* X Length is standard 1000 mm. Please contact us for different tube length.

I - PC - 72 - MB - 763 - A2 - B - 06MTPEf - 06MTPEf - 005M

Type	Type	Fiber Count	Cable Type	Diameter	Fiber Type	Polarization	Side A	Side B	Length
Indoor: I	Patch Cord: PC	8x6 Fibers: 48 12x6 Fibers: 72 24x6 Fibers: 144	MTP/Breakout: MB	7.6/3.0 mm: 763	SM G.657 A2: A2	A Polarization: A B Polarization: B C Polarization: C	06MTPEf (Female) 06MTPEm (Male)	06MTPEf (Female) 06MTPEm (Male)	--- M



6xMTP-6xMTP Multi-Mode Breakout

Connector Specifications

MTP Connector Compliance	IEC 61754-7, TIA 604-5, RoHS
Base-8	48 Fiber 6x8
Base-12	72 Fiber 6x12
Base-24	144 Fiber 6x24
Operating Temperature	-10°C to +70°C
Flammability	UL94 V-0
Durability	< 0.2 dB typical change for > 500 matings

Cable Specifications

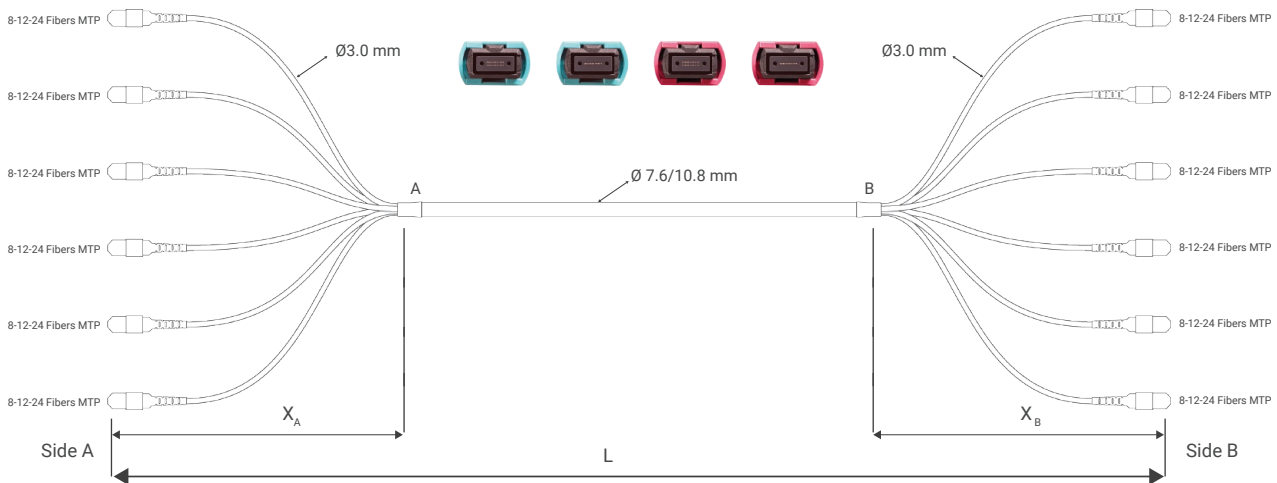
- 48/72/144 core breakout cable construction:
Cable: 7.6 mm; Sub-unit: 2.0 mm
Cable: 10.8 mm; Sub-unit: 3.0 mm
- Max. Tensile Strength: 800N
- Min. Bending Radius 110 mm
- Cable Color: OM3: Aqua, OM4: Violet

Optical Performance

Insertion Loss	Multi-Mode: ≤ 0.35 dB Max.
IEC 61300-3-4 Method B	0.15 dB Typ.
Return Loss	Multi-Mode: ≥ 20 dB
IEC61300-3-6 Method B	

End-face Control Parameters

Geometry Inspection	IEC 61755-3-31
Visual Inspection	IEC 61300-3-35



Sample Coding

* X Length is standard 1000 mm. Please contact us for different tube length.

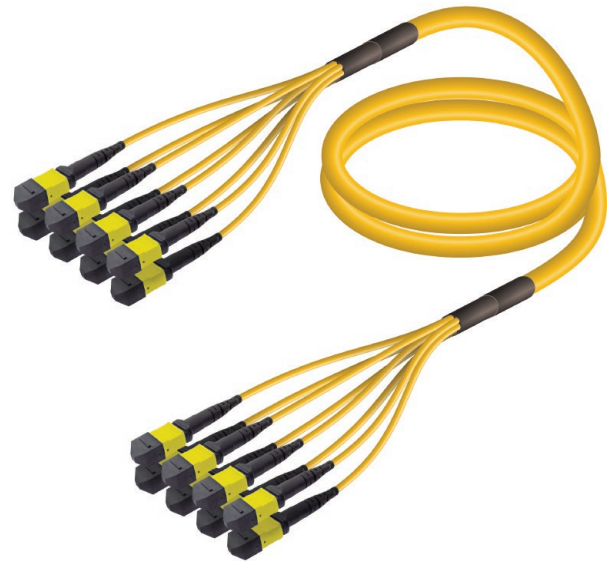
I - PC - 72 - MB - 763 - M4 - B - 06MTPEf - 06MTPEf - 005M

Type	Type	Fiber Count	Cable Type	Diameter	Fiber Type	Polarization	Side A	Side B	Length
Indoor: I	Patch Cord: PC	8x6 Fibers: 48 12x6 Fibers: 72 24x6 Fibers: 144	MTP/Breakout: MB	7.6/3.0 mm: 763	MM G.651 OM3: M3 MM G.651 OM4: M4 MM G.651 OM5: M5	A Polarization: A B Polarization: B C Polarization: C	06MTPEf (Female) 06MTPEm (Male)	06MTPEf (Female) 06MTPEm (Male)	--- M

8xMTP-8xMTP Single-Mode Breakout

Connector Specifications

MTP Connector Compliance	IEC 61754-7, TIA 604-5, RoHS
Base-8	64 Fiber 8x8
Base-12	96 Fiber 8x12
Operating Temperature	-10°C to +70°C
Flammability	UL94 V-0
Durability	< 0.2 dB typical change for > 500 matings



Optical Performance

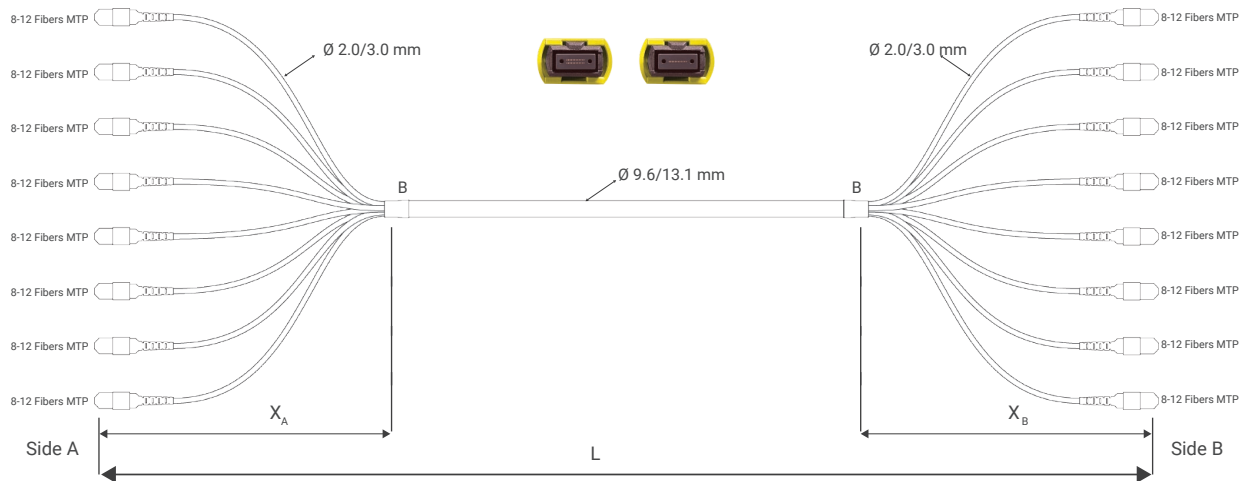
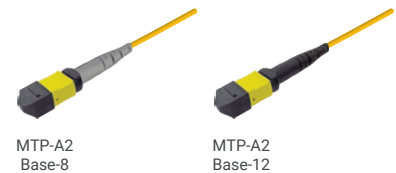
Insertion Loss	Single-Mode: ≤ 0.35 dB Max.
IEC 61300-3-4 Method B	0.15 dB Typ.
Return Loss	Single-Mode: ≥ 60 dB
IEC61300-3-6 Method B	

End-face Control Parameters

Geometry Inspection	IEC 61755-3-31
Visual Inspection	IEC 61300-3-35

Cable Specifications

- 64/96 core breakout cable construction:
Cable: 9.6 mm; Sub-unit: 2.0 mm
Cable: 13.1 mm; Sub-unit: 3.0 mm
- CPR: Dca, s2, d0, a1
- Max. Tensile Strength: 800N
- Min. Bending Radius 90/130 mm
- Cable Color: OS1/OS2: Yellow

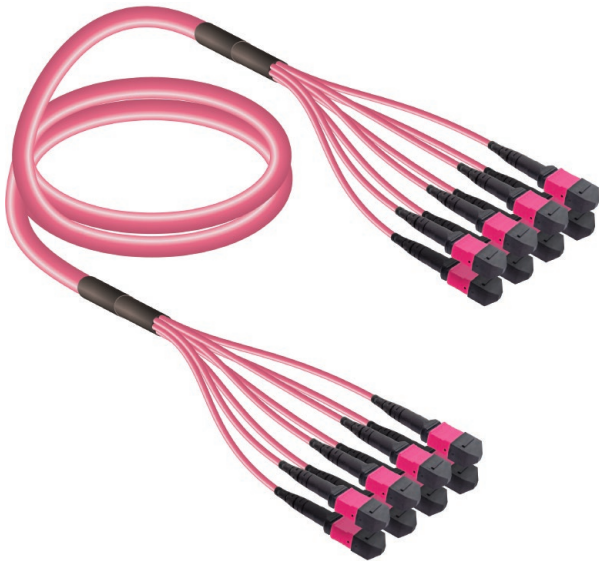


Sample Coding

* X Length is standard 1000 mm. Please contact us for different tube length.

I - PC - 96 - MB - 962 - A2 - B - 08MTPEf - 08MTPEf - 005M

Type	Type	Fiber Count	Cable Type	Diameter	Fiber Type	Polarization	Side A	Side B	Length
Indoor: I	Patch Cord: PC	8x8 Fibers: 64 12x8 Fibers: 96	MTP/Breakout: MB	9.6/2.0 mm: 962 13.1/3.0 mm: 133	SM G.657 A2: A2	A Polarization: A B Polarization: B C Polarization: C	08MTPEf (Female) 08MTPEm (Male)	08MTPEf (Female) 08MTPEm (Male)	... M



8xMTP-8xMTP Multi-Mode Breakout

Connector Specifications

MTP Connector Compliance	IEC 61754-7, TIA 604-5, RoHS
Base-8	64 Fiber 8x8
Base-12	96 Fiber 8x12
Operating Temperature	-10°C to +70°C
Flammability	UL94 V-0
Durability	< 0.2 dB typical change for > 500 matings

Cable Specifications

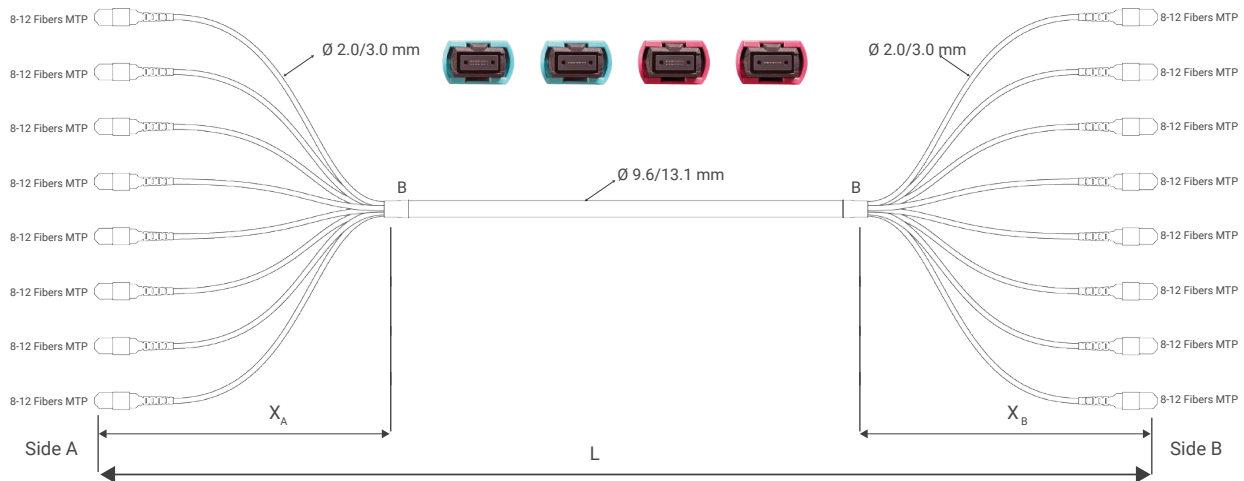
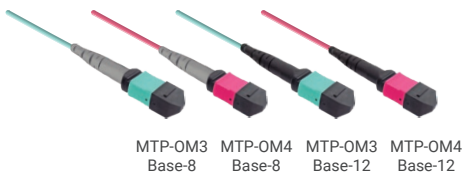
- 64/96 core breakout cable construction:
Cable: 9.6 mm; Sub-unit: 2.0 mm
Cable: 13.1 mm; Sub-unit: 3.0 mm
- Max. Tensile Strength: 800N
- Min. Bending Radius 90/130 mm
- Cable Color: OM3: Aqua, OM4: Violet

Optical Performance

Insertion Loss IEC 61300-3-4 Method B	Multi-Mode: ≤ 0.35 dB Max. 0.15 dB Typ.
Return Loss IEC61300-3-6 Method B	Multi-Mode: ≥ 20 dB

End-face Control Parameters

Geometry Inspection	IEC 61755-3-31
Visual Inspection	IEC 61300-3-35



Sample Coding

* X Length is standard 1000 mm. Please contact us for different tube length.

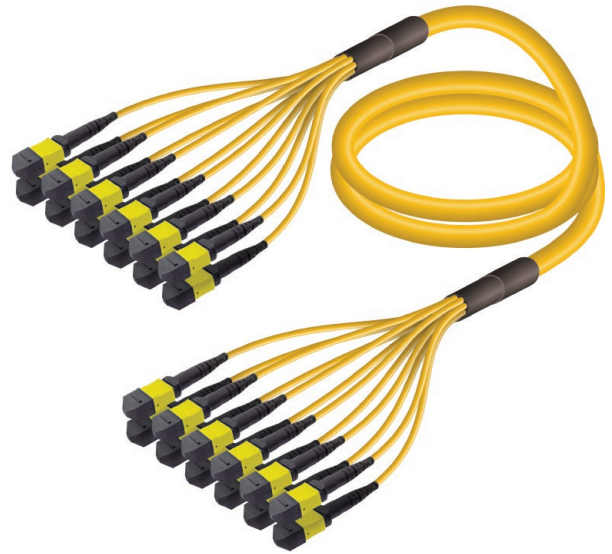
I - PC - 96 - MB - 962 - M4 - B - 08MTPEf - 08MTPEf - 005M

Type	Type	Fiber Count	Cable Type	Diameter	Fiber Type	Polarization	Side A	Side B	Length
Indoor: I	Patch Cord: PC	8x8 Fibers: 64 12x8 Fibers: 96	MTP/Breakout: MB	9.6/2.0 mm: 962 13.1/3.0 mm: 133	MM G.651 OM3: M3 MM G.651 OM4: M4 MM G.651 OM5: M5	A Polarization: A B Polarization: B C Polarization: C	08MTPEf (Female) 08MTPEm (Male)	08MTPEf (Female) 08MTPEm (Male)	--- M

12xMTP-12xMTP Single-Mode Breakout

Connector Specifications

MTP Connector Compliance	IEC 61754-7, TIA 604-5, RoHS
Base-8	96 Fiber 12x8
Base-12	144 Fiber 12x12
Base-24	288 Fiber 12x24
Operating Temperature	-10°C to +70°C
Flammability	UL94 V-0
Durability	< 0.2 dB typical change for > 500 matings



Optical Performance

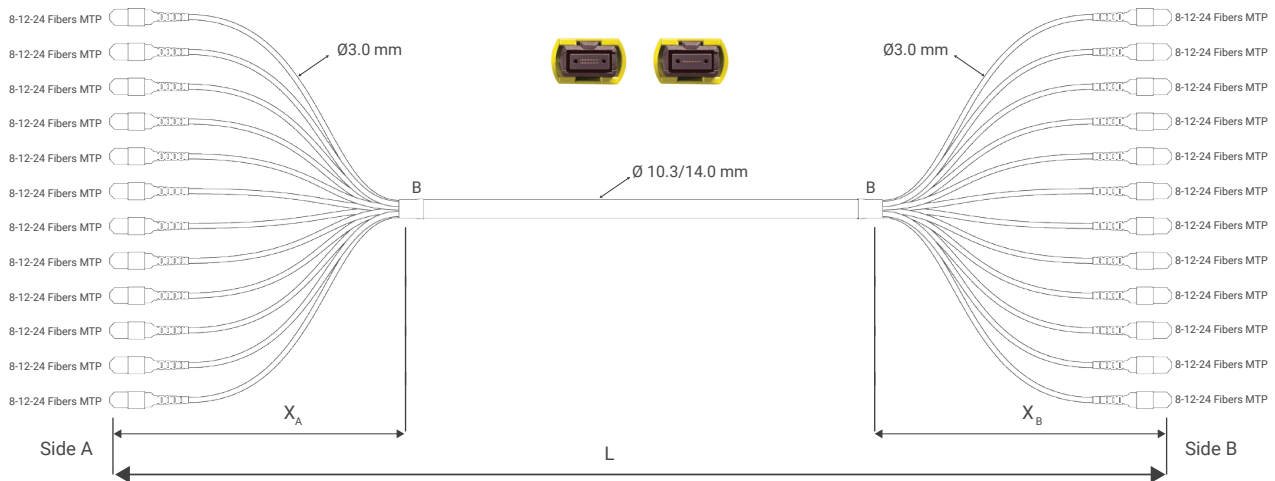
Insertion Loss IEC 61300-3-4 Method B	Single-Mode: ≤ 0.35 dB Max. 0.15 dB Typ.
Return Loss IEC61300-3-6 Method B	Single-Mode: ≥ 60 dB

End-face Control Parameters

Geometry Inspection	IEC 61755-3-31
Visual Inspection	IEC 61300-3-35

Cable Specifications

- 96/144/288 core breakout cable construction:
Cable: 10.3 mm; Sub-unit: 2.0 mm
Cable: 14.0 mm; Sub-unit: 3.0 mm
- CPR: Dca, s2, d0, a1
- Max. Tensile Strength: 800N
- Min. Bending Radius 110 mm
- Cable Color: OS1/OS2: Yellow

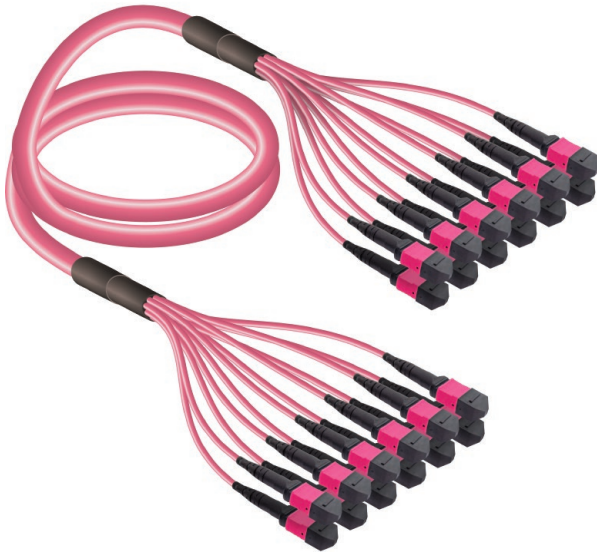


Sample Coding

* X Length is standard 1000 mm. Please contact us for different tube length.

I - PC - 144 - MB - 103 - A2 - B - 12MTPEf - 12MTPEf - 005M

Type	Type	Fiber Count	Cable Type	Diameter	Fiber Type	Polarization	Side A	Side B	Length
Indoor: I	Patch Cord: PC	8x12 Fibers: 96 12x12 Fibers:144 24x12 Fibers:288	MTP/Breakout: MB	10.3/3.0 mm: 103	SM G.657 A2: A2	A Polarization: A B Polarization: B C Polarization: C	12MTPEf (Female) 12MTPEm (Male)	12MTPEf (Female) 12MTPEm (Male)	--- M



12xMTP-12xMTP Multi-Mode Breakout

Connector Specifications

MTP Connector Compliance	IEC 61754-7, TIA 604-5, RoHS
Base-8	96 Fiber 12x8
Base-12	144 Fiber 12x12
Base-24	288 Fiber 12x24
Operating Temperature	-10°C to +70°C
Flammability	UL94 V-0
Durability	< 0.2 dB typical change for > 500 matings

Cable Specifications

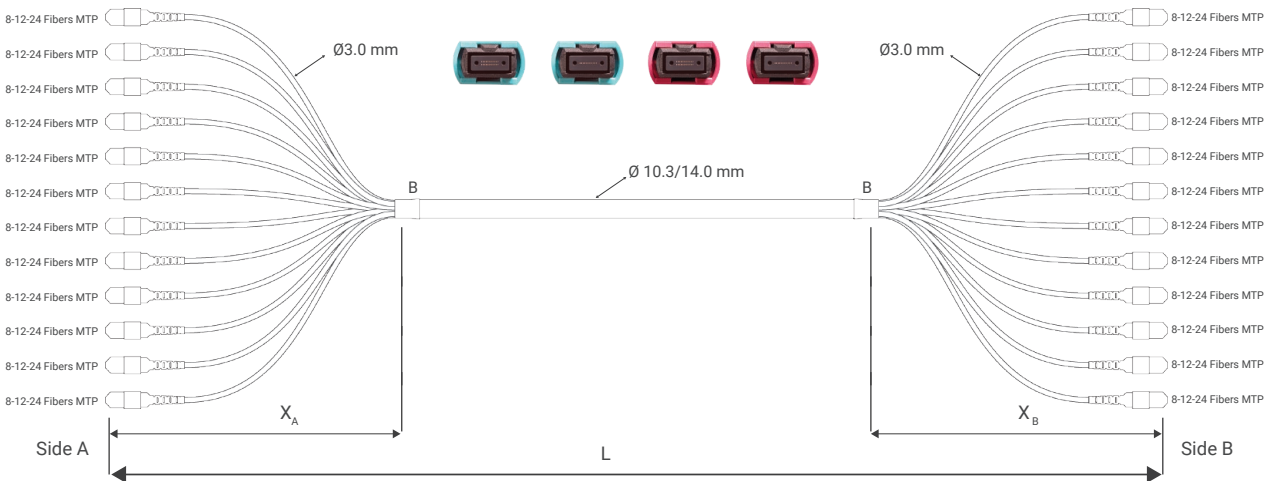
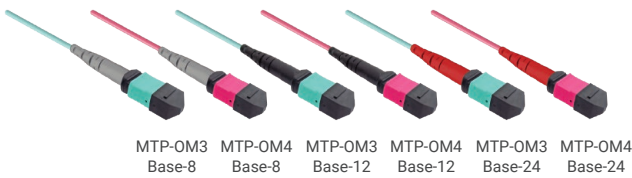
- 96/144/288 core breakout cable construction:
Cable: 10.3 mm; Sub-unit: 2.0 mm
Cable: 14.0 mm; Sub-unit: 3.0 mm
- Max. Tensile Strength: 800N
- Min. Bending Radius 110 mm
- Cable Color: OM3: Aqua, OM4: Violet

Optical Performance

Insertion Loss IEC 61300-3-4 Method B	Multi-Mode: ≤ 0.35 dB Max. 0.15 dB Typ.
Return Loss IEC61300-3-6 Method B	Multi-Mode: ≥ 20 dB

End-face Control Parameters

Geometry Inspection	IEC 61755-3-31
Visual Inspection	IEC 61300-3-35



Sample Coding

* X Length is standard 1000 mm. Please contact us for different tube length.

I - PC - 144 - MB - 103 - M4 - B - 12MTPef - 12MTPef - 005M

Type	Type	Fiber Count	Cable Type	Diameter	Fiber Type	Polarization	Side A	Side B	Length
Indoor: I	Patch Cord: PC	8x12 Fibers: 96 12x12 Fibers:144 24x12 Fibers:288	MTP/Breakout: MB	10.3/3.0 mm: 103	MM G.651 OM3: M3 MM G.651 OM4: M4 MM G.651 OM5: M5	A Polarization: A B Polarization: B C Polarization: C	12MTPef (Female) 12MTPem (Male)	12MTPef (Female) 12MTPem (Male)	--- M



telecom.samm.com/create-account

Create an account to receive our
news, updates and discounts.



 **TURKIYE**

Company

SAMM Teknoloji İletişim San. ve Tic. A.Ş.

Address

GOSB İhsandede Cd. 800. Sok No: 802,
41400 Gebze-Kocaeli, Türkiye

Telephone

+90 444 1 726 / +90 (262) 677 16 80
(Fax) +90 (262) 677 16 81

Email

info@samm.com

 **GERMANY**

Company

SAMM GmbH

Address

Niederstraße 18
40789 Monheim/Deutschland

Telephone

+49 176 814 655 76
+49 176 814 655 84

Email

de@samm.com

Telecom Group

Website

telecom.samm.com

Email

telecom@samm.com



Our Website