

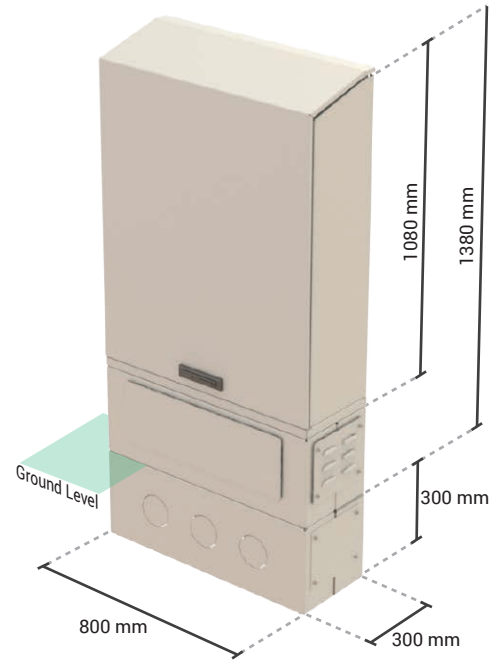
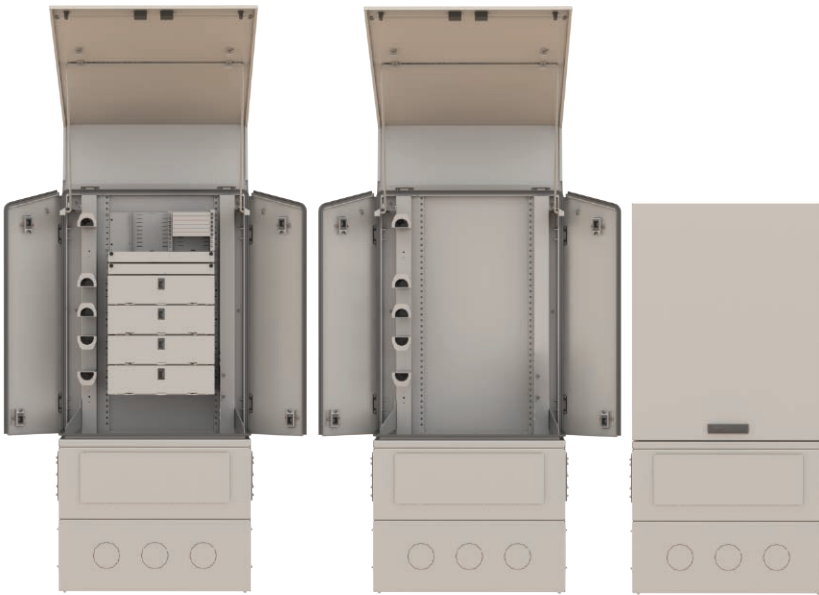
## Wall Mount Fiber Optic Cabinet

FDF-ODC-1

ODC-1 cabinet provides fiber easy termination and management with IP 65 rated protection in outdoor environments and it is compatible with 19" FIST fiber optic modules and passive equipment, ensuring maximum flexibility for next-generation technology adaptation.

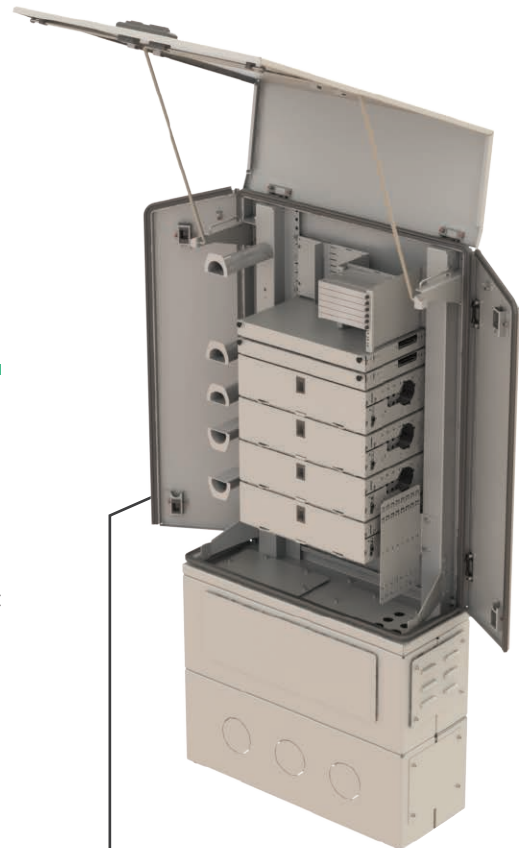
ODC-1 can be installed above the ground or with the lower cabling section flushed below concrete structures.

Thanks to its special design, the top cover and side covers can all be opened widely which makes module assembly and cable assembly very easy. The top cover can be fixed in two positions for more comfortable working environment in bad weather conditions. In addition, plastic Drums allow very good cable management and routing to be performed with high efficiency.



## Properties

- Easy installable wall hanging plate
- Field adaptive mounting profiles to 19" or ETSI width
- Swing handle with lock and key
- Extensive cable inlet/outlet possibilities on top and bottom, left and right
- Cable attachment plate with C-profile included
- Dust-proof, environmental and mechanical protection for the fiber management functions
- Painted (powder coated) in lightgrey (RAL-7035)



3U Standard Shelves

Qty: 14 - Height: 125mm - 72 ETSI Units

### Standard Accessories

Cable attachment plate with C-profile



Wall Connection Kit

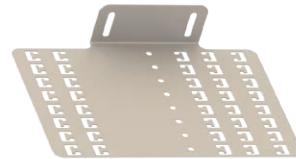


### Optional Accessories

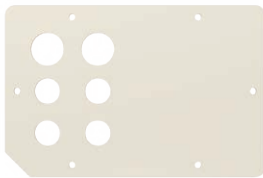
Cable Management Drums



Cable Connection Plate



Cable Management Drums



Cabinet Bottom Base



### Optional Accessories

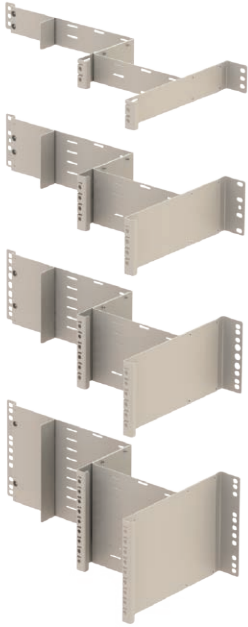
Elevation Base



Triple Joint for Spiral Cable Pipe



## Splitter Connection Modules



1U - Module: 4 OCM5 Module Capacity

2U - Module: 8 OCM5 Module Capacity

3U - Module: 12 OCM5 Module Capacity

4U - Module: 18 OCM5 Module Capacity