

Optical Fiber Loop Back Modules

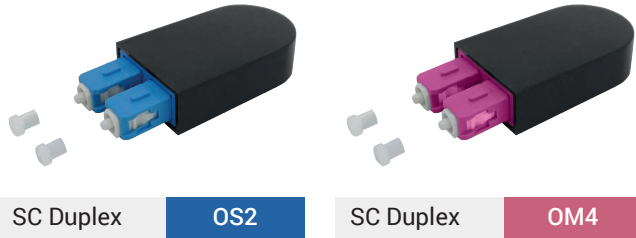
Loopback Modules are designed to provide a media of return patch for a fiber optic signal. Using fiber optic loopback modules for data transmission, the signal emitted by the device is looped from the transmit (Tx) end of an active component back to the receive (Rx) end of the same component.

Typically, it is used for fiber optic testing applications or network restorations. For the testing applications, the loopback signal is used for diagnosing a problem. Fiber Loopback Module is absolutely an economical solution for a number of fiber optic test applications.

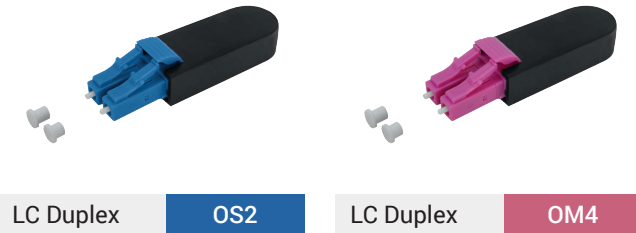
Module Features

- Lower Insertion Loss & Higher Performance
- Complied to ANSI/TIA-568-C.3, IEEE 802.3ba and adheres to ANSI/TIA-942 , Low IL and stable signal transmission ensuring your network safety
- High-quality connectors and guaranteed by 3D interferometer
- 100% factory tested
- Applications : Optical Testing, Research and Development, Manufacturing Test, Troubleshooting, Quality Control, Training

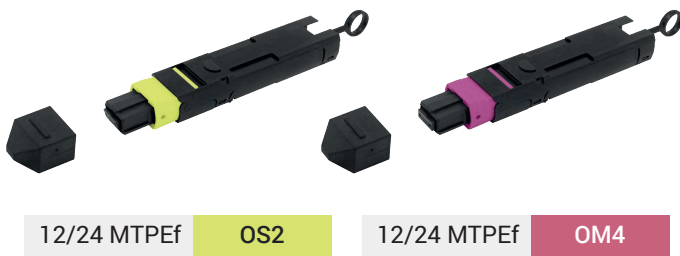
Loop Back Module Types



Product Code	Description
MT13596	SC Duplex OS2(SM) Loop Back Module
MT13597	SC Duplex OM4(MM) Loop Back Module



Product Code	Description
MT13598	LC Duplex OS2(SM) Loop Back Module
MT13599	LC Duplex OM4(MM) Loop Back Module



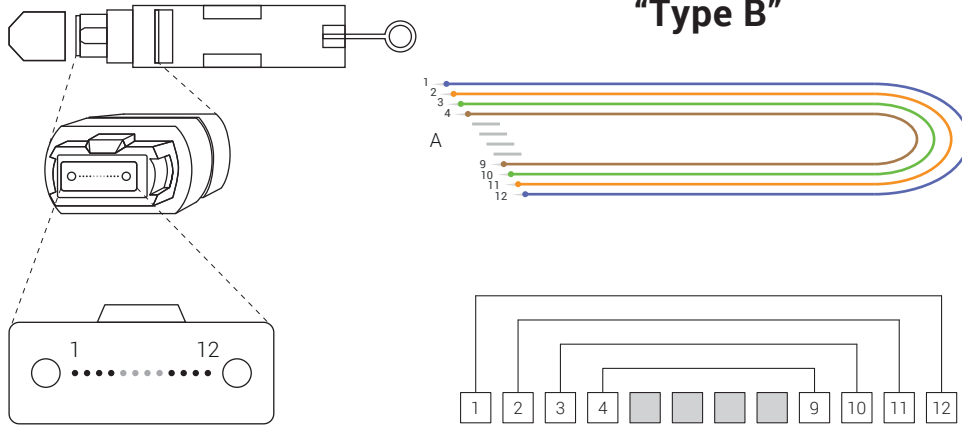
Product Code	Description
MT14342	12F MTP Female A2 Loopback Cable, Single-mode Polarity B, For LR4/PSM4 40g/100g Transceiver
MT14343	12F MTP Female OM4 Loopback Cable, Multi-mode Polarity B, For SR4 40g/100g Transceiver
MT14344	24F MTP Female OM4 Loopback Cable, Multi-mode Polarity A, For SR4/SR10 100g Transceiver

Optical Performance

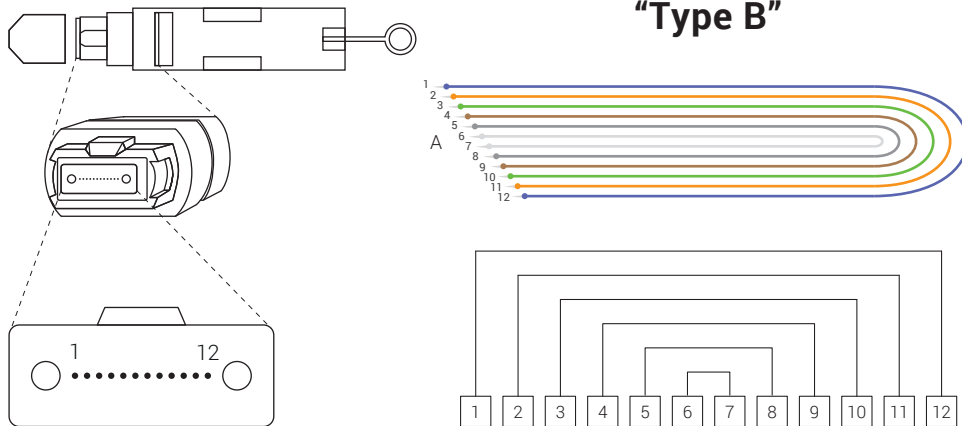
Connector Type	Fiber Type	IL [dB] Mean/Maximum	RL [dB]	WL [nm]
LC/SC PC	Single-mode	≤ 0.15 / 0.30	≥ 50	1310 & 1550
LC/SC PC	Multi Mode	≤ 0.15 / 0.30	≥ 35	850 & 1300
12/24 MTP EF APC	Single-mode	≤ 0.15 / 0.30	≥ 60	1310 & 1550
12/24 MTP EF PC	Multi Mode	≤ 0.15 / 0.30	≥ 20	850 & 1300

MTP/MPO Loop Back Polarity

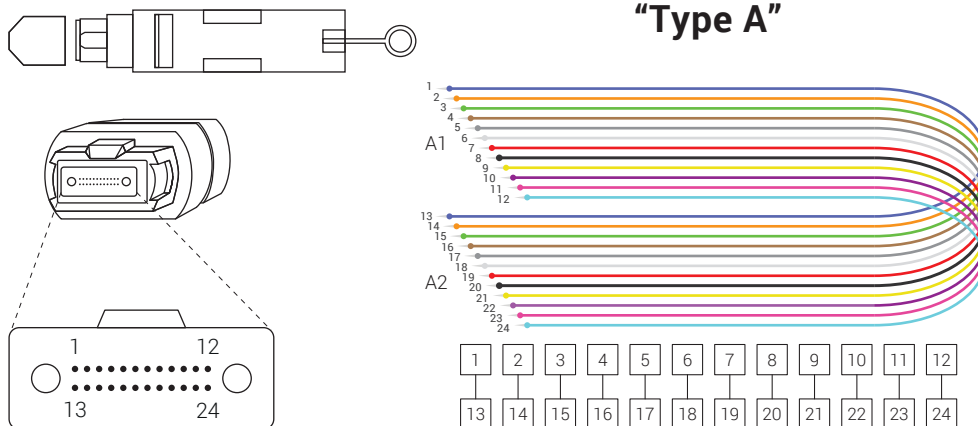
8 Fibers MTP/MPO Loop Back "Type B"



12 Fibers MTP/MPO Loop Back "Type B"



24 Fibers MTP/MPO Loop Back "Type A"



How to Choose The Right Loop Back Module for a Specific Transceiver?

Loop Back Choices for 10G SFP+ Transceivers

Loop Back Module Type	Model	Interface type	Fiber Type
LC/UPC Duplex Multi-mode	10GBASE-USR	LC Duplex (PC)	Multi-mode
	10GBASE-SR	LC Duplex (UPC)	Multi-mode
	10GBASE-LR	LC Duplex (UPC)	Multi-mode
LC/UPC Duplex Single-mode	10GBASE-ER	LC Duplex (UPC)	Single-mode
	10GBASE-ZR	LC Duplex (PC)	Single-mode

Loop Back Choices for 40G QSFP+ Transceivers

Loop Back Module Type	Model	Interface type	Fiber Type
MTP/UPC Multi-mode 8/12 Fibers	40GBASE-CSR4	MTP/MPO (UPC)	Multi-mode
	40GBASE-SR4	MTP/MPO (UPC)	Multi-mode
MTP/APC Single-mode 8/12 Fibers	40GBASE-PLRL4	MTP/MPO (APC)	Single-mode
	40GBASE-PLR4	MTP/MPO (APC)	Single-mode
LC/UPC Duplex Single-mode	40GBASE-LR4	LC Duplex (PC)	Single-mode
	40GBASE-LR4L	LC Duplex (UPC)	Single-mode
	40GBASE-ER4	LC Duplex (UPC)	Single-mode
LC/UPC Duplex Multi-Mode	40GBASE-LX4	LC Duplex (UPC)	Multi-mode/Single-mode

Loop Back Choices for 100G QSFP28 Transceivers

Loop Back Module Type	Model	Interface type	Fiber Type
MTP/UPC Multi-mode 8/12 Fibers	100GBASE-SR4	MTP/MPO (UPC)	Multi-mode
MTP/APC Single-mode 8/12 Fibers	100GBASE-PSM4	MTP/MPO (APC)	Single-mode
LC/UPC Duplex Single-mode	100GBASE-LR4	LC Duplex (UPC)	Single-mode

Loop Back Choices for CFP Transceivers

Loop Back Module Type	Model	Interface type	Fiber Type
MTP/UPC Multi-mode 8/12 Fibers	40GBASE-SR4 CFP	MPO/MTP (UPC)	Multi-mode
	40GBASE-LR4 CFP	SC Duplex (UPC)	Single-mode
SC/UPC Duplex Single-mode	40GBASE-FR CFP	SC Duplex (UPC)	Single-mode
	100GBASE-LR4 CFP	SC Duplex (PC/UPC)	Single-mode
	100GBASE-ER4 CFP	SC Duplex (PC/UPC)	Single-mode
MTP/UPC Multi-mode 24 Fibers	100GBASE-SR4 CFP	MPO/MTP (UPC)	Multi-mode