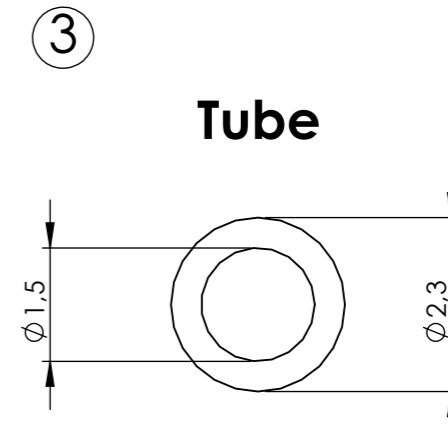
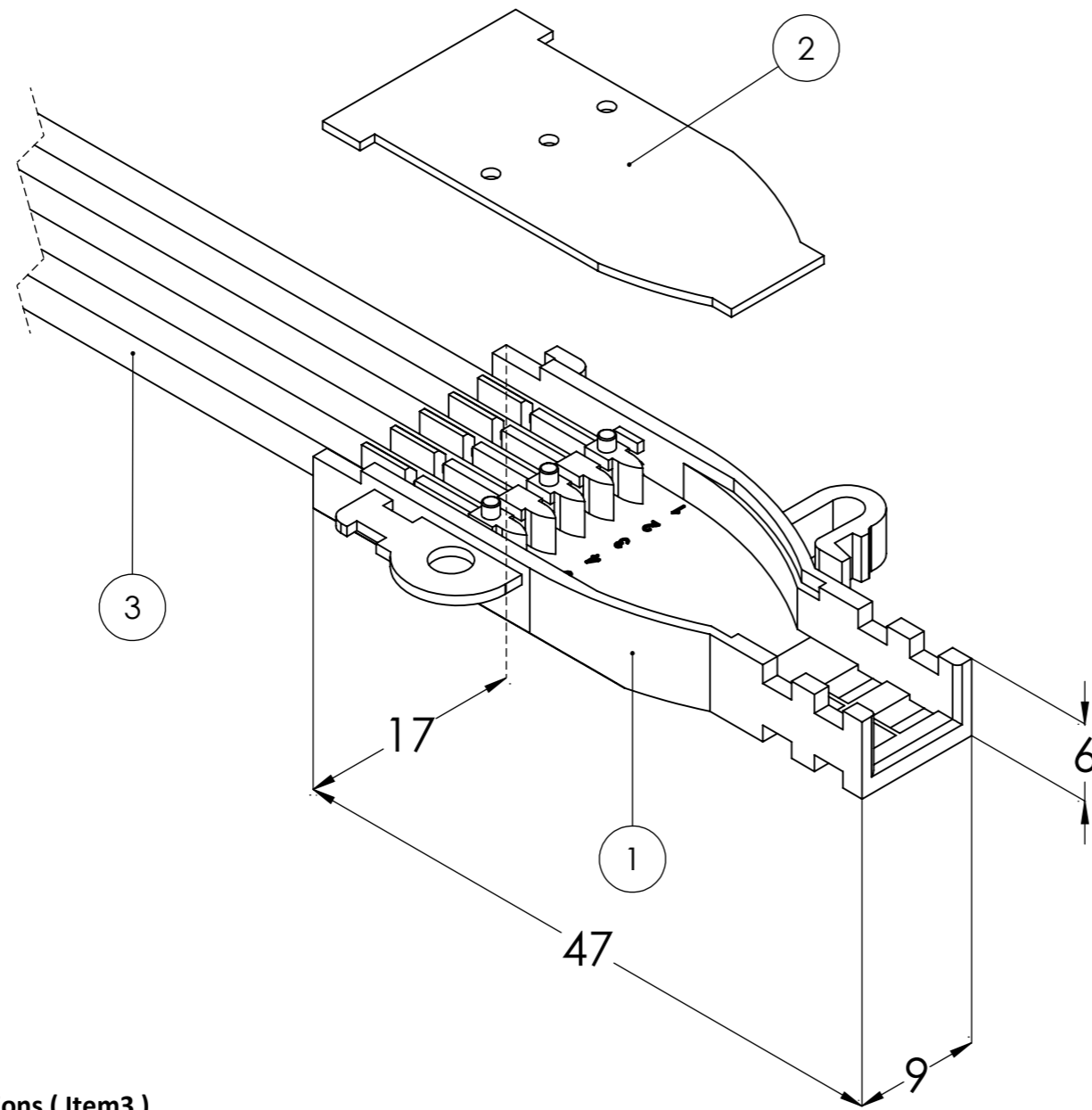


ITEM NO	DEFINITION
1	6 Way Y-Separator Body, UL94 V0 Plastic
2	6 Way Y-Separator Cover, 0,75mm anodized aluminum ENAW-5005
3	1.5 x 2.3mm Tube (Will be ordered separately)



Scale: 10/1

ITEM CODE	DEFINITION
MT13573	6-Way Loose Tube Fiber Transition Fanout Kit
MT13566	Transparent Tube For 6-Way Y Separator

**** Tube Material Specifications (Item3)**

Material: Teflon, politetrafloroetilen (PTFE)
 Flame Reterdant , UL 224 VW-1
 Color , Transparent
 Low Smoke and Halogen Free

SAMM TEKNOLOJİ A.Ş. GOSB İhsanedede Cd. 800. Sok. No: 802, 41400 Gebze-Kocaeli	DRAWN BY	5038	26.01.2023	PROJECT NUMBER	
	CHECKED BY	1793	26.01.2023	PROJECT REF.	
	APPROVED BY	1793	26.01.2023	CUSTOMER	
ALL DIMENSIONS ARE IN MM. ALL DIMENSIONS APPLY AFTER PLATING	6-Way Loose Tube Fiber Transition Fanout Kit			REV	02
				SCALE	2:1
				SHEET NUMBER	1 OF 1
				DOC. NO	

PROPRIETARY INFORMATION DOCUMENT CONTAINS PROPRIETARY INFORMATION FOR MANUFACTURING FOR ANYONE OTHER THAN SAMM TEKNOLOJİ AND IS DELIVERED ON THE EXPRESSED CONDITIONS THAT IT NOT TO BE DISCLOSED OR REPRODUCED IN WHOLE OR PART, OR USED TECHNOLOGIES WITHOUT ITS WRITTEN CONSENT AND THAT NO RIGHT IS GRANTED TO DISCLOSE OR SO USE ANY INFORMATION CONTAINED IN DOCUMENT