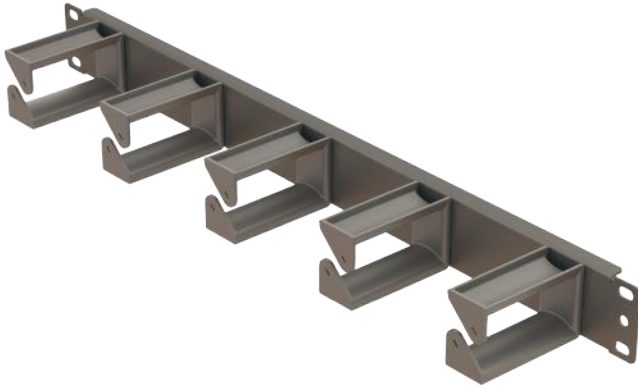


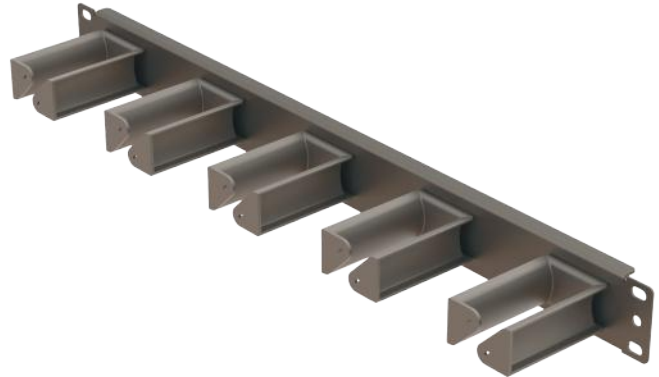
## 19" 1U Modular Cable Organizer | With 5 Snap-in Rings

The new concept of Cable Management Panel with fully modular rings configuration provides high flexibility in cable management. The five rotatable cable guiding rings allow for easy management of horizontal or vertical arrays of patch cables. Furthermore, any patch cable can be moved or replaced individually with no hassle, and no tools are required for mounting the rings onto the 5 slot frame.

Rings in Vertical Position



Rings in Horizontal Position

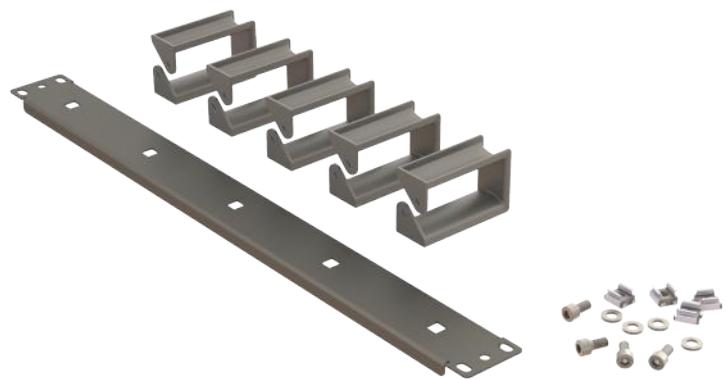


### Key Features & Benefits

- 5x plastic management rings are rotatable and replaceable
- Bend radius controlled design to prevent damage to patch cords
- Modular snap-in rings provides flexibility for system requirements
- Lightweight, sturdy construction
- Ring Material: Thermoplastic UL94V-0
- Panel Material: Cold Rolled Steel
- Electrostatic powder painted , RAL 9005 black

### Package Content

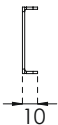
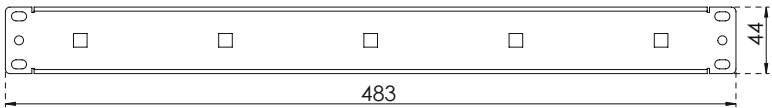
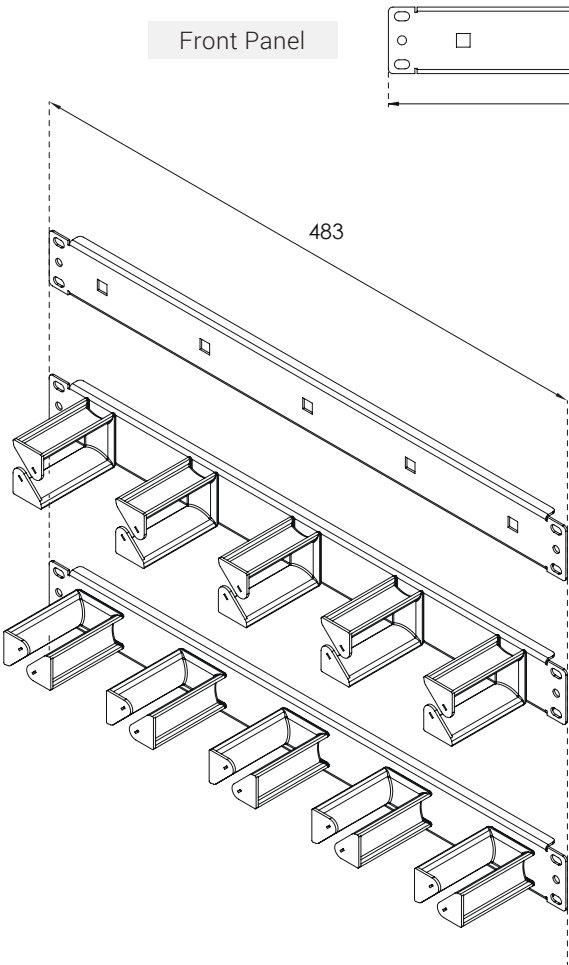
- 1x 5 Slots Metal Frame
- 5x Snap in Rings
- 1x M6 Installation Set  
(Screws, Washers and Cage Nuts)
- 1x Individual Carton Box



### Ordering Codes

| Product Code | Description   |
|--------------|---|
| MT14351      | 19" 1U Modular Cable Organizer with 5 Snap-in Rings |

# Dimensions



Cable Ring

