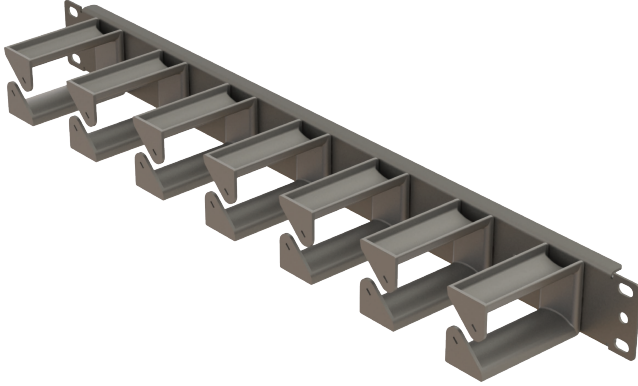


19" 1U Modular Cable Organizer | With 7 Snap In Rings

The new concept of Cable Management Panel with 7 fully modular rings configuration provides high flexibility in cable management. The seven rotatable cable guiding rings allow for easy management of horizontal or vertical arrays of patch cables. Furthermore, any patch cable can be moved or replaced individually with no hassle, and no tools are required for mounting the rings onto the 13 slot frame.

Rings in Vertical Position



Rings in Horizontal Position

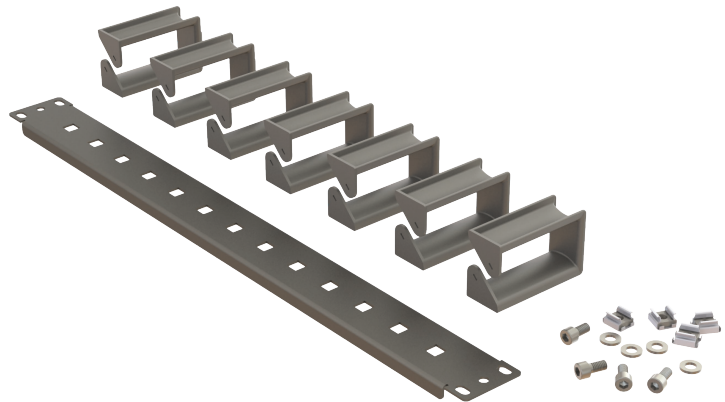


Key Features & Benefits

- 7x plastic management rings are rotatable and replaceable
- Bend radius controlled design to prevent damage to patch cords
- Modular snap-in rings provides flexibility for system requirements
- Lightweight, sturdy construction
- Ring Material: Thermoplastic UL94V-0
- Panel Material: Cold Rolled Steel
- Electrostatic powder painted , RAL 9005 black

Package Content

- 1x 13 Slots Metal Frame
- 7x Snap in Rings
- 1x M6 Installation Set
(Screws, Washers and Cage Nuts)
- 1x Individual Carton Box



Ordering Codes

Product Code	Description
MT09614	19" 1U Modular Cable Organizer with 7 Snap In Rings_13 Slots

Dimensions

