

3U High Density Modular Fiber Panels

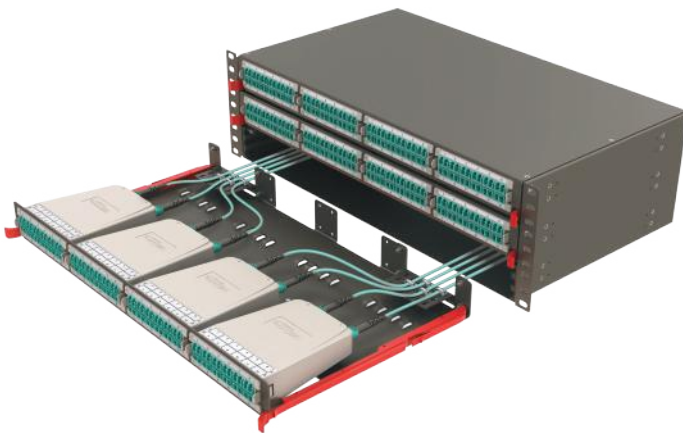
3U high density modular fiber optic panels can terminate, organize and distribute up to 144 fibers. This panel is designed to be mounted on 19" rack systems and it has 12 slots in a 3U unit that can hold MTP/LC conversion cassettes and MTP/LC/SC patch adapter modules. This HD Modular fiber optic panel is compatible with optional accessories such as pre-installed inner splicing trays, cable tie-up plates, fanout fixing plates, blind plates, optical adapters and fiber pigtailed. High Density Modular Fiber Panels are generally used in data centers.

Optional Modularity for Different Applications

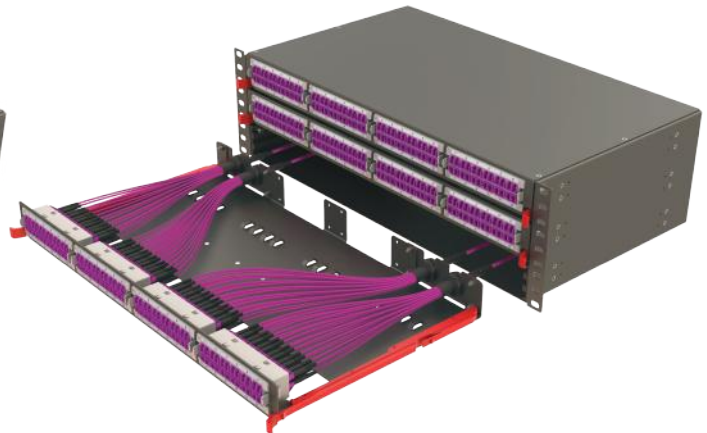
3U Empty Panel



3U MTP to LC Conversion Panel



3U Patch to Patch Panel




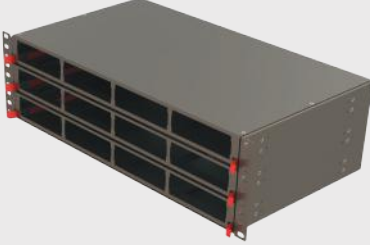
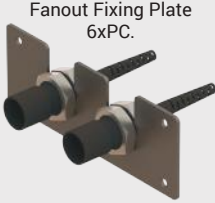



Panel Capacity




Type of Modules		Conversion Modules		Patch Modules	
		MTP to LC	MTP to MTP	LC	SC
3U Panel (12 Slots)	Module Capacity	12/24	96/144/288	24	12
	Panel Capacity	144/288	1152/1728/3456	288	144

Ordering Codes

Standard Content

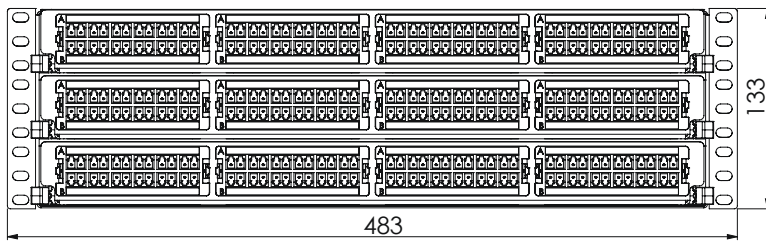
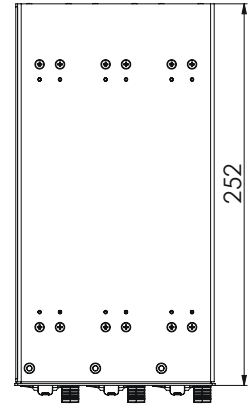
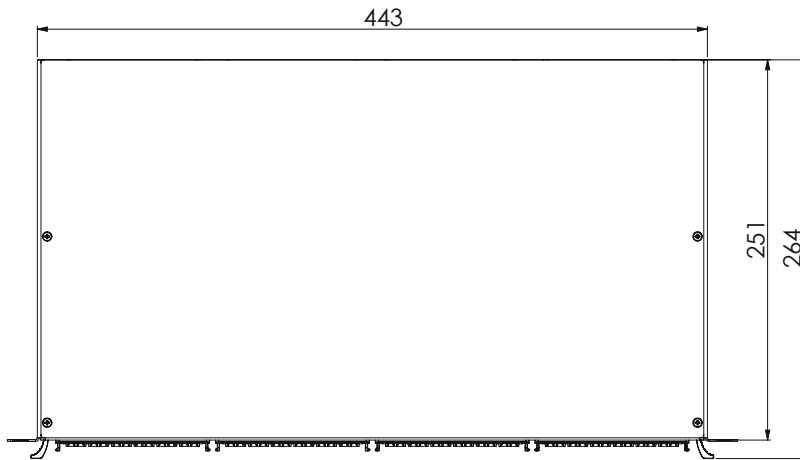
Product Illustration		Code and Description
	<p>Cable Tie Up Plate 6xPC.</p>  <p>Blind Plate for Rear Closing 6xPC.</p> 	<p>HDM-PANEL-3U-12SL-V0-X1-BLK-NN 19", 3U, 12 Slots, Empty Modular Panel 6 Cable Tie Up and 6 Blind Plates</p>
	<p>Fanout Fixing Plate 6xPC.</p>  <p>Blind Plate for Rear Closing 6xPC.</p> 	<p>HDM-PANEL-3U-12SL-V0-X2-BLK-NN 19", 3U, 8 Slots, Empty Modular Panel 6 Fanout Fixing and 6 Blind Plates</p>

Optional Ordering Items

Product Illustration	Code and Description	Product Illustration	Code and Description
	<p>HDM-PANEL-1U_216GP_BLK 2xPG16 Gland Plate-Straight</p>		<p>HDM-PAM-BP-WH Blind Plate for Front Slots</p>
	<p>HD-CASSETTE-24F_WH 24F Fiber Splice Cassette</p>		

Panel Dimensions

Measuring Unit: mm



3U