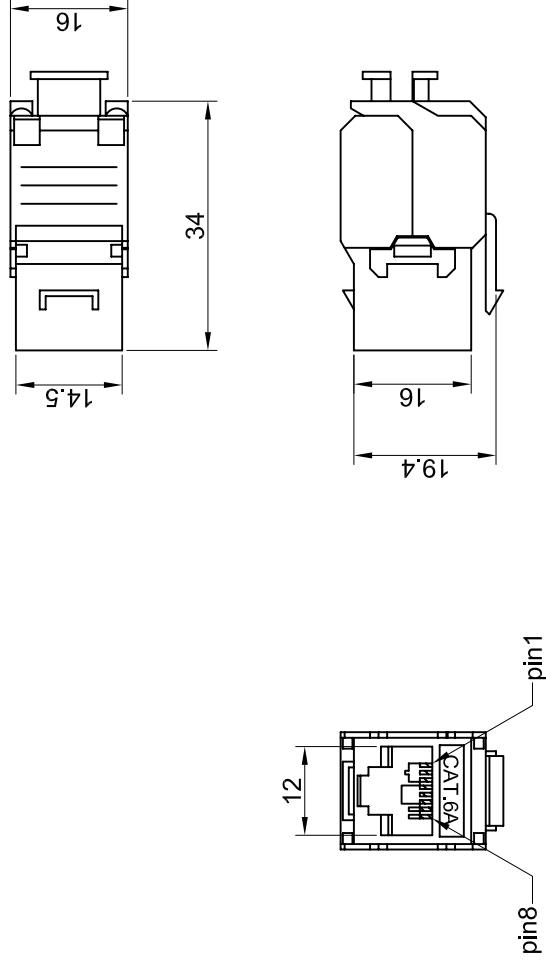


Material:

1. RJ45 Jack:
 - 1-1. Housing: Zinc Alloy
 - 1-2. RJ45 Bracket Set: PBT+Glass Fiber UL 94V-0.
2. RJ45 Jack Contact
 - 2-1. Material: Phosphor Bronze with Nickel plated.
 - 2-2. Finish: 3-50 micro-inch Gold plated on Plug contact area.
3. IDC:
 - 3-1. Housing: PC+Glass Fiber, UL 94V-2.
 - 3-2. Terminal: Phosphor Brone with min.50 micro-inch Tin plated.
4. IDC CAP: ABS, UL 94-HB.
5. PCB: FR4, UL 94V-0

Performance:

- a. T568A & T568B wiring sticker.
- b. Insertion force: 20N max. (IEC 60603-7-4),
- c. Retention strength : 7.7kg between jack and plug.
- d. Operating temperature: -10°C to 60°C (ISO/IEC11801, ANSI/TIA/EIA 568 B.2)
- e. Life(mating cycles):
 - *jack: 750 cycles min.(ISO/IEC 11801, IEC 60603-7-4)
 - *IDC: Suitable for 22-26 AWG stranded and solid wire, compatible with both 110 & krone punch down tools.
- f. The CAT.6A transmission performance is in compliance with the ANA/TIA/EIA 568 B.2 standard.



SAMM TEKNOLOJİ A.Ş.

GOSB İhsandede Cd.
800. Sok.
No: 802, 41 400
Gebze-Kocaeli

ALL DIMENSIONS ARE IN MM.
ALL DIMENSIONS APPLY
AFTER PLATING

DRAWN BY	5038	27.10.2021	PROJECT No.
CHECKED BY	1793	27.10.2021	PROJECT REF.
APPROVED BY	1793	27.10.2021	CUSTOMER

**Shielded
Keystone Jack**

REV	01
SCALE	1:1
SHEET No.	1 OF 1
DOC. NO	

PROPRIETARY INFORMATION DOCUMENT CONTAINS PROPRIETARY INFORMATION FOR MANUFACTURING FOR ANYONE OTHER THAN SAMM TEKNOLOJİ AND IS DELIVERED ON THE EXPRESSED CONDITIONS THAT IT NOT TO BE DISCLOSED OR REPRODUCED IN WHOLE OR PART, OR USED TECHNOLOGIES WITHOUT ITS WRITTEN CONSENT AND THAT NO RIGHT IS GRANTED TO DISCLOSE OR SO USE ANY INFORMATION CONTAINED IN DOCUMENT