

Material

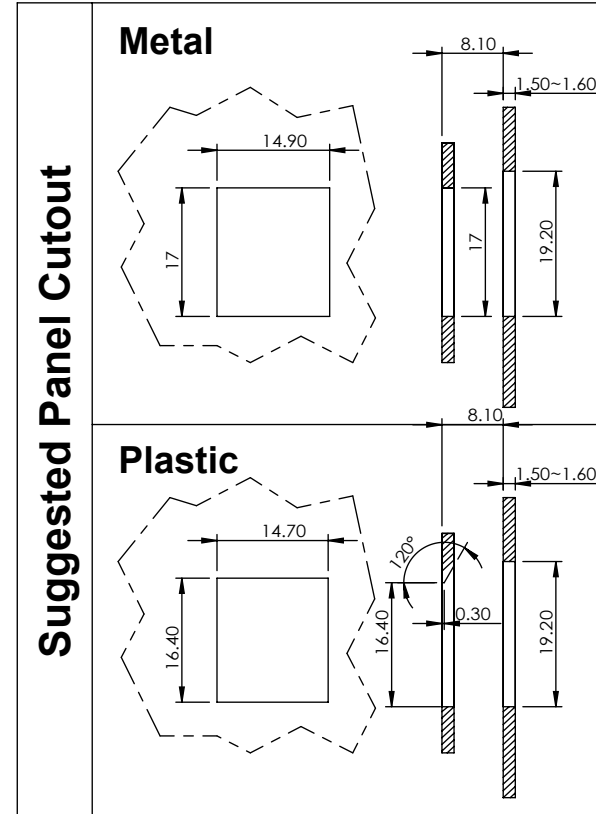
- Housing: Zinc Alloy, Nickel Plated
- Spring Wire: Phosphor bronze 0.35t, plated with 50u" gold at contact area over 60u" nickel undercoat
- PCB: FR4
- IDC Terminals: Phosphor bronze 0.5t, plated with Ni/Sn 60u"
- Wire Organizer : ABS UL94V-0 flame retardancy

Wire Range

- Suits for: SFTP/FFTP/FUTP26AWG Stranded - 23AWG Solid
- Insulation Diameters: 0.8mm - 1.47mm
- Cable Diameters: 5mm - 9.9mm

Accessories

- Nylon Cable Tie: 1pc



Intertek

RoHS

SAMM TEKNOLOJİ A.Ş.
 GOSB İhsandede Cd.
 800. Sok.
 No: 802, 41400
 Gebze-Kocaeli

DRAWN BY	5038	15.12.2021	PROJECT No.	
CHECKED BY	1793	15.12.2021	PROJECT REF.	
APPROVED BY	1793	15.12.2021	CUSTOMER	
Shielded TIA Keystone Jack			REV	01
			SCALE	1:1
			SHEET No.	1 OF 1
			DOC. NO	

PROPRIETARY INFORMATION DOCUMENT CONTAINS PROPRIETARY INFORMATION FOR MANUFACTURING FOR ANYONE OTHER THAN SAMM TEKNOLOJİ AND IS DELIVERED ON THE EXPRESSED CONDITIONS THAT IT NOT TO BE DISCLOSED OR REPRODUCED IN WHOLE OR PART, OR USED TECHNOLOGIES WITHOUT ITS WRITTEN CONSENT AND THAT NO RIGHT IS GRANTED TO DISCLOSE OR SO USE ANY INFORMATION CONTAINED IN DOCUMENT