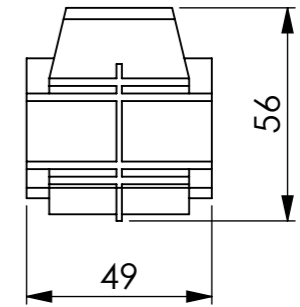
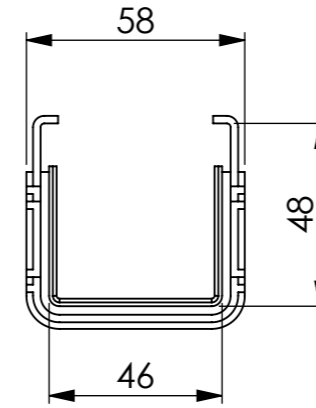
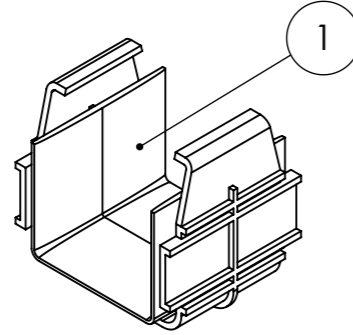


ITEM NO	ITEM DESCRIPTIONS	ITEM CODES	
		YELLOW	BLACK
1	FDS_50mm Channel to Channel Coupler	ME10503-01	ME10503-02



Material;
PC-ABS blend with a UL 94 V-0 flammability rating. Halogen-free and RoHS compliant

Notes;
Supplied with Knurled Knobs with T-bolts kits specified in the above quantities.

<small>PROPRIETARY INFORMATION DOCUMENT CONTAINS PROPRIETARY INFORMATION FOR MANUFACTURING FOR ANYONE OTHER THAN SAMM TEKNOLOJİ AND IS DELIVERED ON THE EXPRESSED CONDITIONS THAT IT NOT TO BE DISCLOSED OR REPRODUCED IN WHOLE OR PART, OR USED TECHNOLOGIES WITHOUT ITS WRITTEN CONSENT AND THAT NO RIGHT IS GRANTED TO DISCLOSE OR SO USE ANY INFORMATION CONTAINED IN DOCUMENT</small>	DRAWN BY	5038	08.05.2026	CUSTOMER DRAWING	
	CHECKED BY	1793	08.05.2026	SAMM TEKNOLOJİ A.Ş.	
	APPROVED BY	1793	08.05.2026		
	TITLE			SHEET NUMBER	1 OF 1
FDS_50mm Channel to Channel Coupler			SCALE	NONE	
			REV	00	
			DOC. NO	2023.007.1.104	
<small>ALL DIMS AND TOLERANCES .XX: ± 0.2 ARE MM. UNLESS .XXX: ± 0.1 OTHERWISE SPECIFIED ANGULAR: ± N/A</small>					