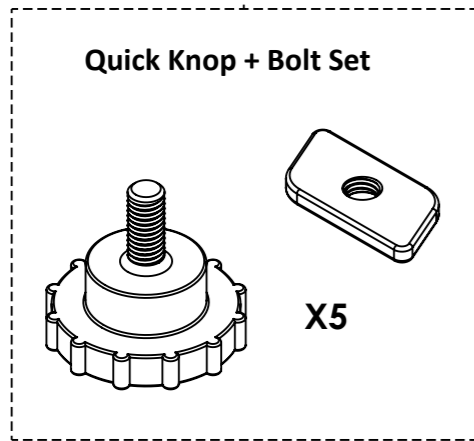
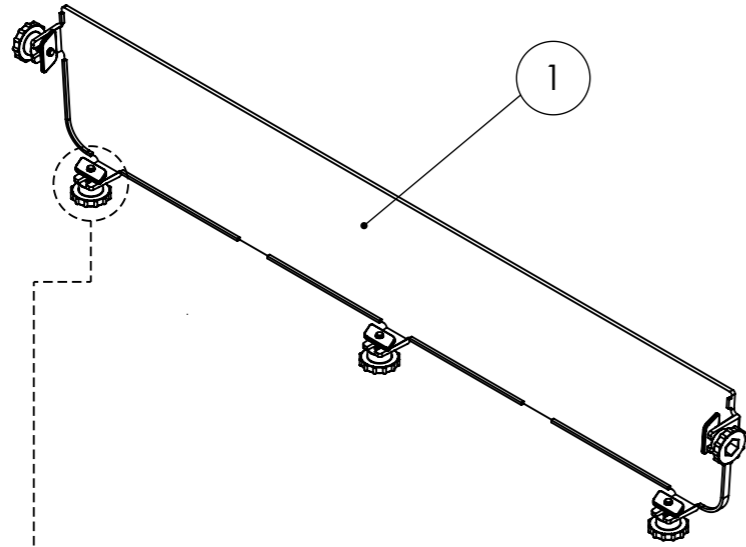


ITEM NO	ITEM DESCRIPTIONS	ITEM CODES	
		YELLOW	BLACK
1	FDS_600mm Channel End Cap	ME16003-01	ME16003-02



Material;
PC-ABS blend with a UL 94 V-0 flammability rating. Halogen-free and RoHS compliant

Notes;
Supplied with Knurled Knobs with T-bolts kits specified in the above quantities.

PROPRIETARY INFORMATION DOCUMENT
CONTAINS PROPRIETARY INFORMATION FOR
MANUFACTURING FOR ANYONE OTHER THAN
SAMM TEKNOLOJİ AND IS DELIVERED ON THE
EXPRESSED CONDITIONS THAT IT NOT TO BE
DISCLOSED OR REPRODUCED IN WHOLE OR
PART, OR USED TECHNOLOGIES WITHOUT ITS
WRITTEN CONSENT AND THAT NO RIGHT IS
GRANTED TO DISCLOSE OR SO USE ANY
INFORMATION CONTAINED IN DOCUMENT

ALL DIMS AND TOLERANCES .XX: ± 0.2
ARE MM. UNLESS .XXX: ± 0.1
OTHERWISE SPECIFIED ANGULAR: ± N/A

DRAWN BY	5038	08.05.2026	CUSTOMER DRAWING	
CHECKED BY	1793	08.05.2026	SAMM TEKNOLOJİ A.Ş.	
APPROVED BY	1793	08.05.2026		
FDS_600mm Channel End Cap			SHEET NUMBER	1 OF 1
			SCALE	NONE
			REV	00
			DOC. NO	2023.007.1.612