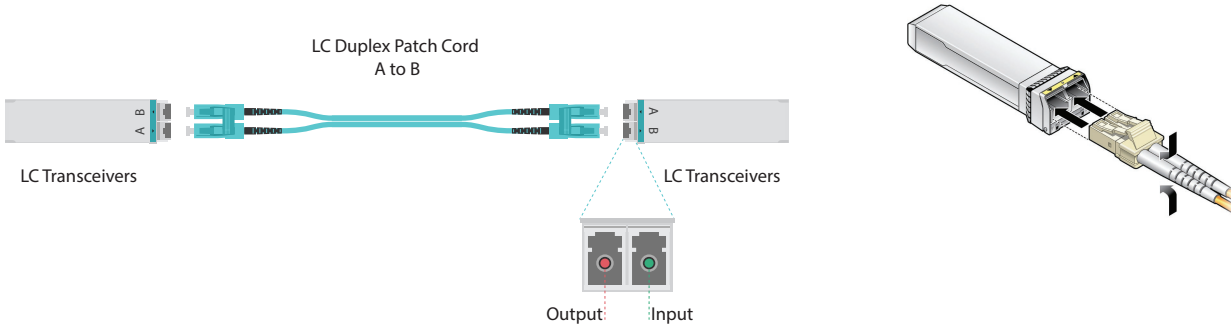


Duplex Signals Connectivity - Direct Cabling

When directly connecting two duplex transceivers, an A-to-B type patch cable is required.



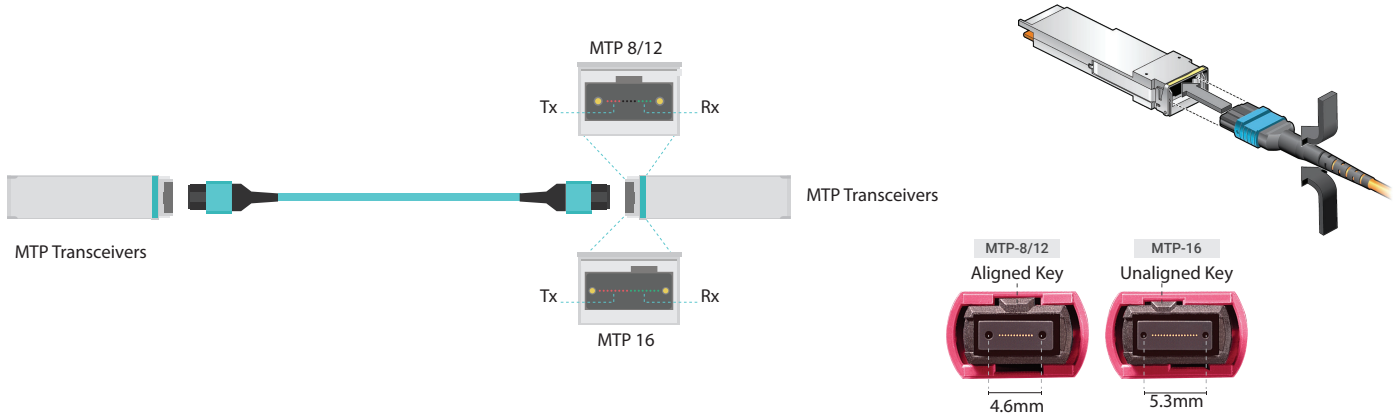
	Transceiver	Form Factor	Connector	Fiber Count	Fiber Type
10G	SR	SFP+	LC	2	OM3/OM4
	LR	SFP+	LC	2	OS2

	Transceiver	Form Factor	Connector	Fiber Count	Fiber Type
40G	BIDI	QSFP+	LC	2	OM3/OM4
	LX4	QSFP+	LC	2	OM3/OM4
	SWDM4	QSFP+	LC	2	OM3/OM4
	UNIV	QSFP+	LC	2	OM3/OM4, OS2
	LR4 / LRL4 / IR4	QSFP+	LC	2	OS2

	Transceiver	Form Factor	Connector	Fiber Count	Fiber Type
100G	CWDM4	QSFP28	LC	2	OS2
	LRL4	CFP2/CPAK/QSFP28	LC	2	OS2
	SWDM4	QSFP28	LC	2	OM3/OM4
	SR-BD	QSFP28	LC	2	OM3/OM4

8/12/16F Connectivity - Direct Cabling

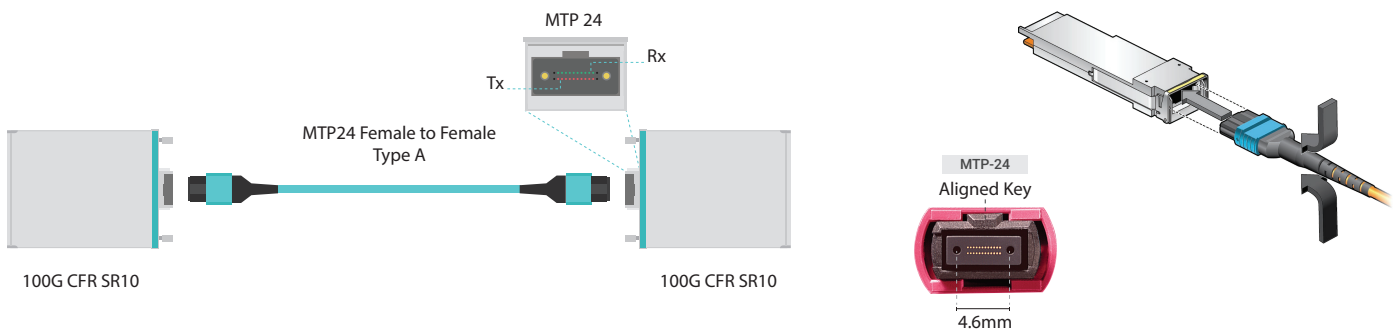
When directly connecting two transceivers, a Type B polarity 8/16 fiber MTP trunk cable is needed.



	Transceiver	Form Factor	Connector	Fiber Count	Fiber Type
40G	SR4	QSFP+	12F MTP (MPO)	8	OM3/OM4
	PLRL4 / PLR4	QSFP+	12F MTP (MPO)	8	OS2
100G	SR4 / XSR4	QSFP28	12F MTP (MPO)	8	OM3/OM4
	PSM4	QSFP28	12F MTP (MPO)	8	OS2
200G	SR8	QSFP-DD	16F MTP (MPO)	16	OM3/OM4
	PSM8	QSFP-DD	16F MTP (MPO)	16	OS2
400G	SR8	QSFP-DD	16F MTP (MPO)	16	OM3/OM4
	PSM8	QSFP-DD	16F MTP (MPO)	16	OS2
800G	SR8	QSFP-DD	16F MTP (MPO)	16	OM3/OM4
	PLR8 / DR8	QSFP-DD	16F MTP (MPO)	16	OS2

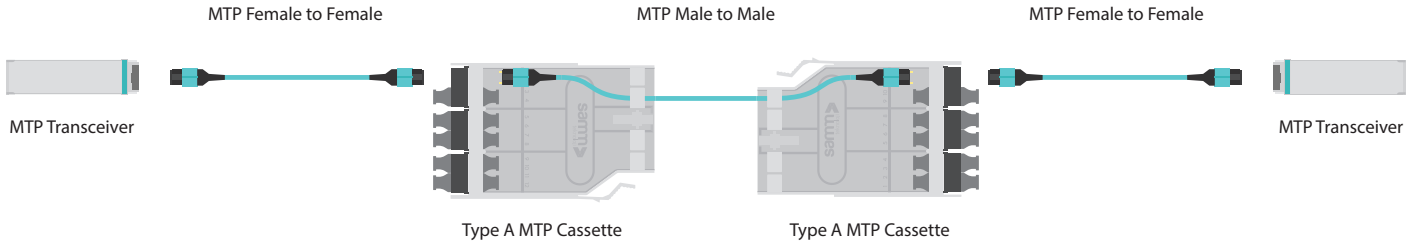
20/24F Connectivity - Direct Cabling

When directly connecting two CFP transceivers, a Type A polarity 20-fiber MTP trunk cable is needed.



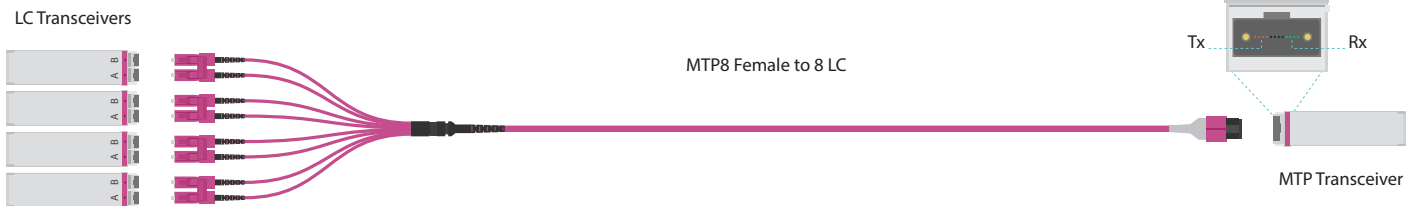
	Transceiver	Form Factor	Connector	Fiber Count	Fiber Type
100G	SR10 / XSR10	CFP/CFP2/CPAK	24F MTP (MPO)	20	OM3/OM4

12/16/24F Connectivity For Parallel Signals - Interconnect Cabling



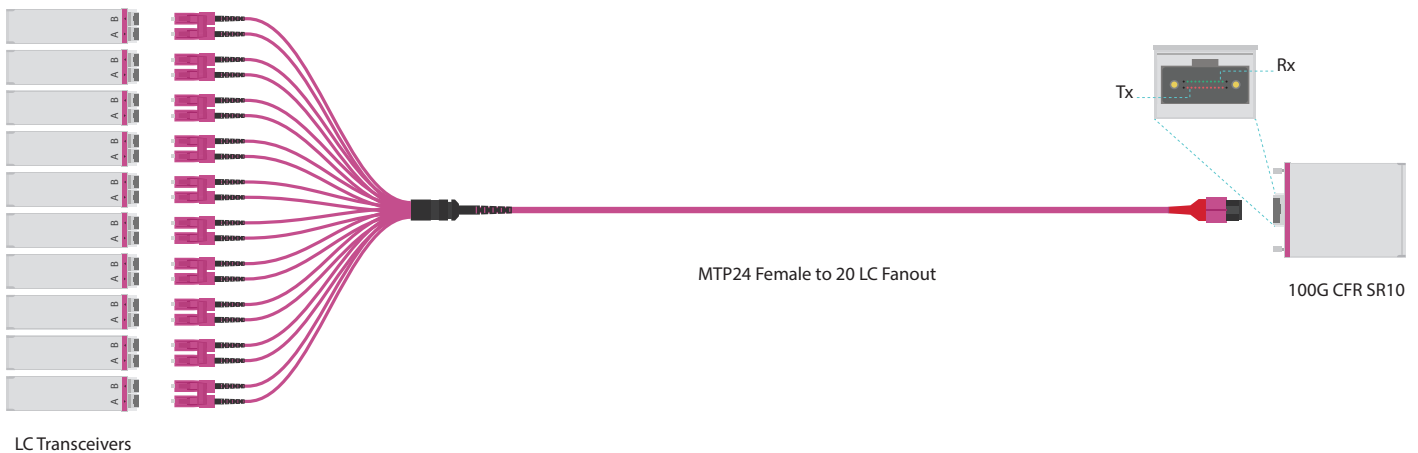
Options	MTP Patch Cord	MTP Adapter	MTP Patch Cord	MTP Adapter	MTP Patch Cord
Option 12F	12F Type B	Type A	12F Type B	Type A	12F Type B
Option 16F	16F Type B	Type A	16F Type B	Type A	16F Type B
Option 24F	24F Type A	Type A	24F Type A	Type A	24F Type A

10G to 40G and 25G to 100G Migrations - Direct Cabling



	Fiber Type	LC Transceivers	Fanout	MTP Transceiver
40G	OM3/OM4	10G SFP+ SR	MTP/MPO to LC , 8F Fanout , Type B	40G QSFP+ SR4
	OS2	10G SFP+ LR		40G QSFP+ PLR4
100G	OM3/OM4	25G SFP28 SR		100G QSFP28 SR4
	OS2	25G SFP28 LR		100G QSFP28 PSM4

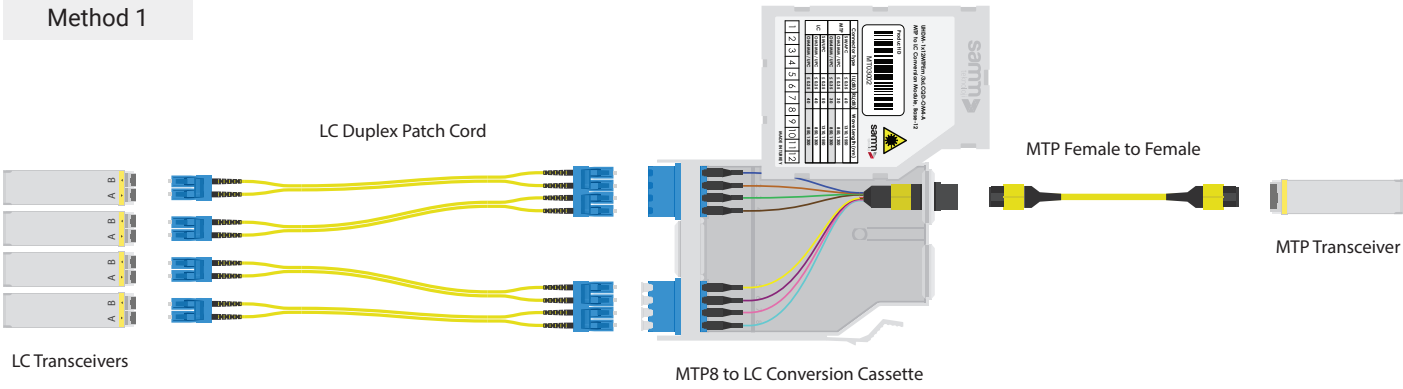
10G to 100G Migrations - Direct Cabling



	Fiber Type	LC Transceivers	Fanout	MTP Transceiver
100G	OM3/OM4	10G SFP+ SR	MTP/MPO to LC , 20F Fanout , Type A	100G CFP SR10

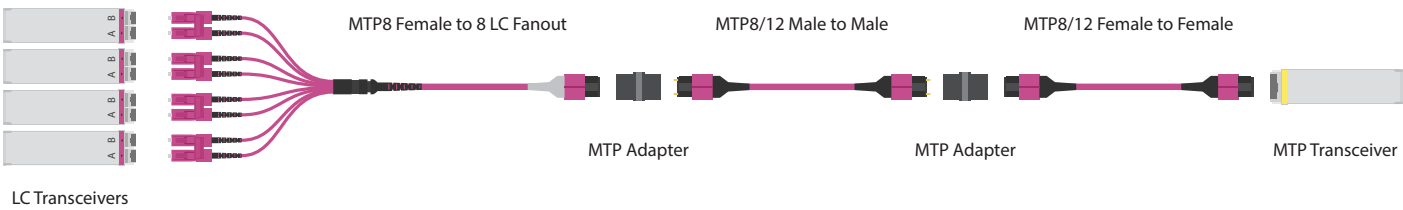
10G to 40G and 25G to 100G Migrations - Interconnect Cabling

Method 1



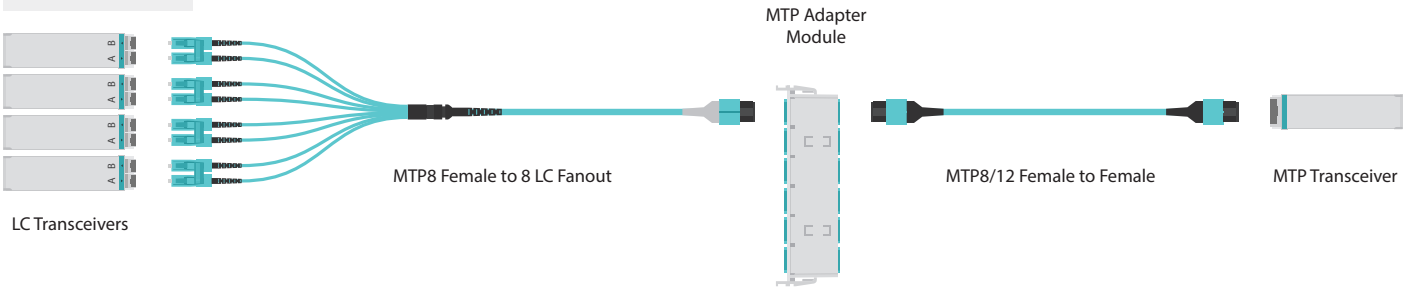
	Fiber Type	LC Transceivers	Patch Cord	Cassette	MTP Patch Cord	MTP Transceiver
40G	OM3/OM4	10G SFP+ SR	LC Duplex Patch Cord A to B	Type B	8/12F Type B	40G QSFP+ SR4
	OS2	10G SFP+ LR				40G QSFP+ PLR4
100G	OM3/OM4	25G SFP28 SR	LC Duplex Patch Cord A to B	Type B	8/12F Type B	100G QSFP28 SR4
	OS2	25G SFP28 LR				100G QSFP28 PSM4

Method 2



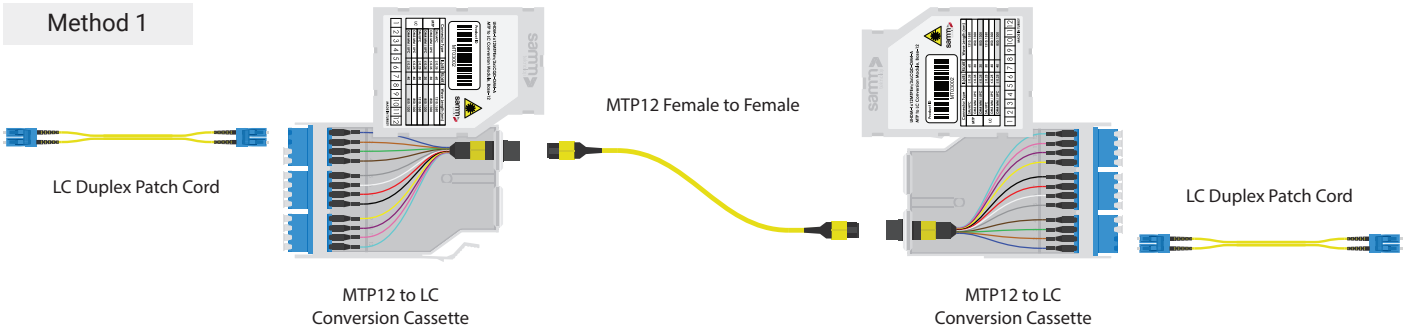
	Fiber Type	LC Transceivers	Fanout	Adapter	MTP Patch Cord	Adapter	MTP Patch Cord	MTP Transceiver
40G	OM3/OM4	10G SFP+ SR	MTP/MPO to LC 8F Fanout, Type B	Type A/B	8/12F Type B	Type A/B	8/12F Type B	40G QSFP+ SR4
	OS2	10G SFP+ LR						40G QSFP+ PLR4
100G	OM3/OM4	25G SFP28 SR	MTP/MPO to LC 8F Fanout, Type B	Type A/B	8/12F Type B	Type A/B	8/12F Type B	100G QSFP28 SR4
	OS2	25G SFP28 LR						100G QSFP28 PSM4

Method 3

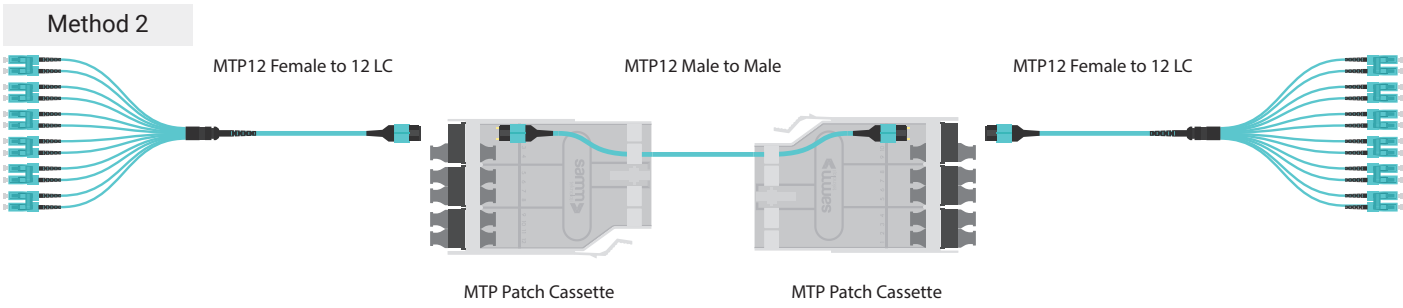


	Fiber Type	LC Transceivers	Fanout	Adapter	MTP Patch Cord	MTP Transceiver
40G	OM3/OM4	10G SFP+ SR	MTP/MPO to LC 8F Fanout, Type B	MTP Patch Type B	8/12F Type B	40G QSFP+ SR4
	OS2	10G SFP+ LR				40G QSFP+ PLR4
100G	OM3/OM4	25G SFP28 SR	MTP/MPO to LC 8F Fanout, Type B	MTP Patch Type B	8/12F Type B	100G QSFP28 SR4
	OS2	25G SFP28 LR				100G QSFP28 PSM4

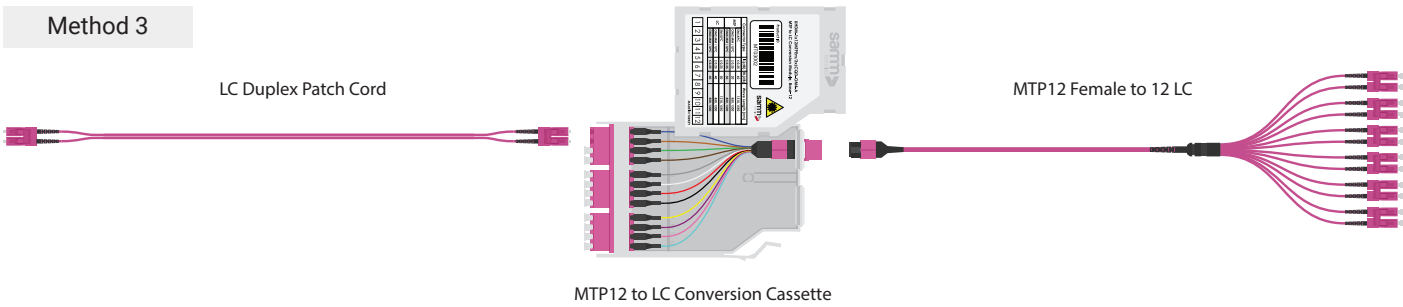
Duplex Signals Connectivity with 12 Fibers - Interconnect Cabling



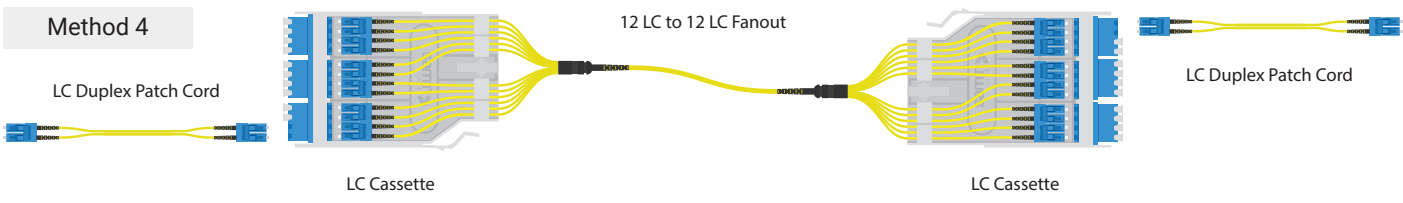
Options	Patch Cord	Cassette	MTP Patch Cord	Cassette	Patch Cord
Option A		Type A	MTP12 Female to Female - Polarity A	Type AF	
Option B	A to B Patch Cord	Type B	MTP12 Female to Female - Polarity B	Type B	A to B Patch Cord
Option C		Type A	MTP12 Female to Female - Polarity C	Type A	



Options	Harness Patch Cord	Adapter	MTP Patch Cord	Adapter	Harness Patch Cord
Option B	MTP12 Female to 12 LC - Polarity B	Type A	MTP12 Male to Male - Polarity B	Type A	MTP12 Female to 12 LC - Polarity B
Option C	MTP12 Female to 12 LC - Polarity A	Type A	MTP12 Male to Male - Polarity C	Type A	MTP12 Female to 12 LC - Polarity A

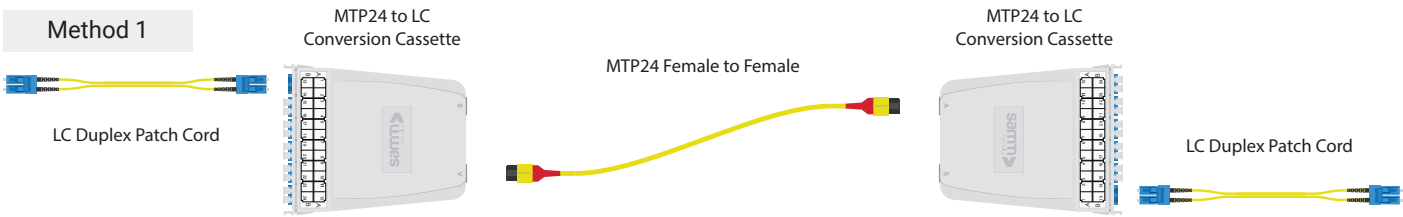


Options	Patch Cord	Cassette	Harness Patch Cord
Option A	A to B Patch Cord	Type A	MTP12 Female to 12 LC - Polarity A
Option B		Type B	MTP12 Female to 12 LC - Polarity B

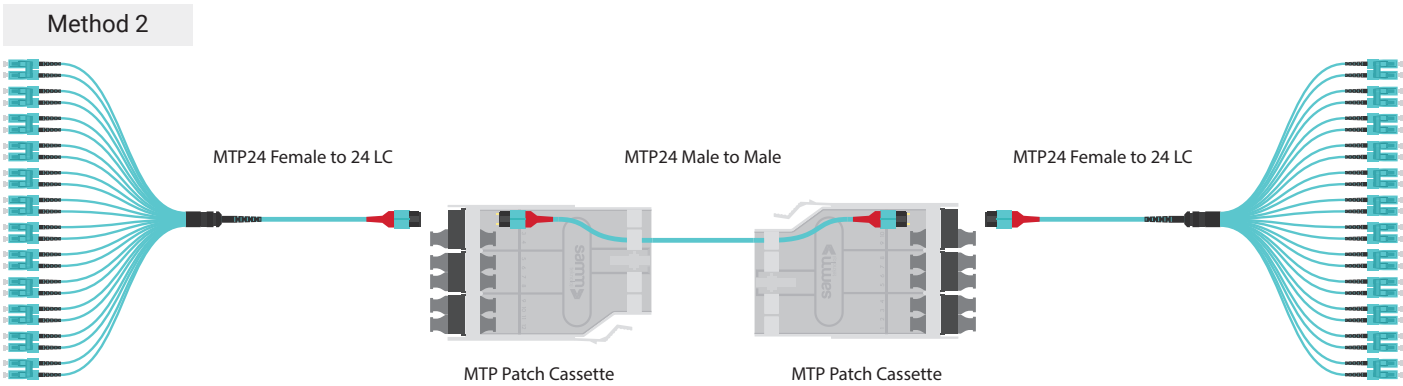


Patch Cord	Adapter	Fanout Patch Cord	Adapter	Patch Cord
A to B Patch Cord	LC Patch	12 LC to 12 LC A to B Patch Cord	LC Patch	A to B Patch Cord

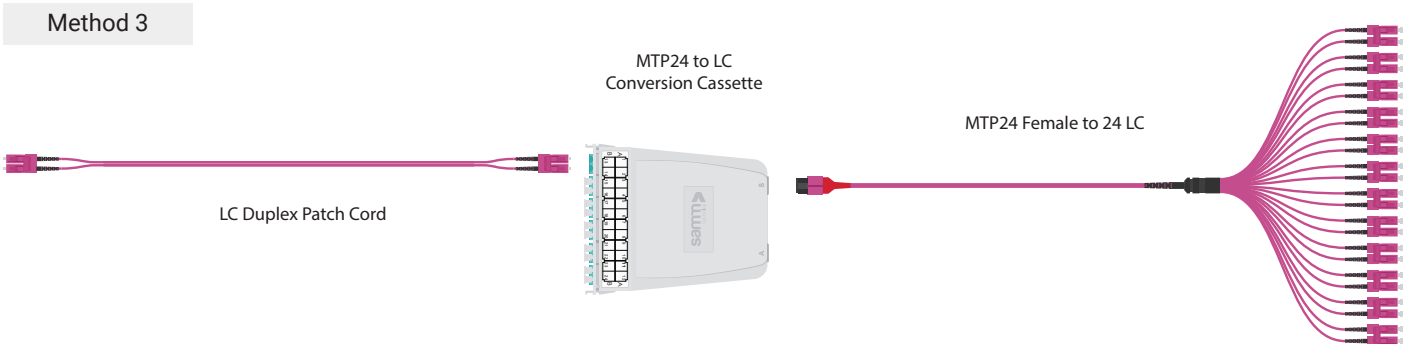
Duplex Signals Connectivity with 24 Fibers - Interconnect Cabling



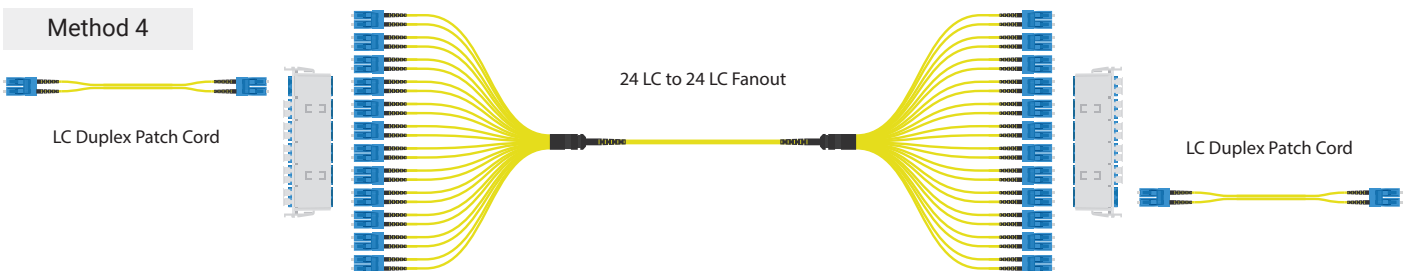
Option	Patch Cord	Cassette	MTP Patch Cord	Cassette	Patch Cord
Option A	A to B Patch Cord	Type A	MTP/MPO 24 Female Polarity A	Type AF	A to B Patch Cord
Option B	A to B Patch Cord	Type B	MTP/MPO 24 Female Polarity B	Type B	A to B Patch Cord



Options	Harness Patch Cord	Adapter	MTP Patch Cord	Adapter	Harness Patch Cord
Option B	MTP24 Female to 24 LC - Polarity B	Type A	MTP24 Male to Male - Polarity B	Type A	MTP24 Female to 24 LC - Polarity B



Options	Patch Cord	Cassette	Harness Patch Cord
Option B	A to B Patch Cord	Type B	MTP24 Female to 24 LC - Polarity B

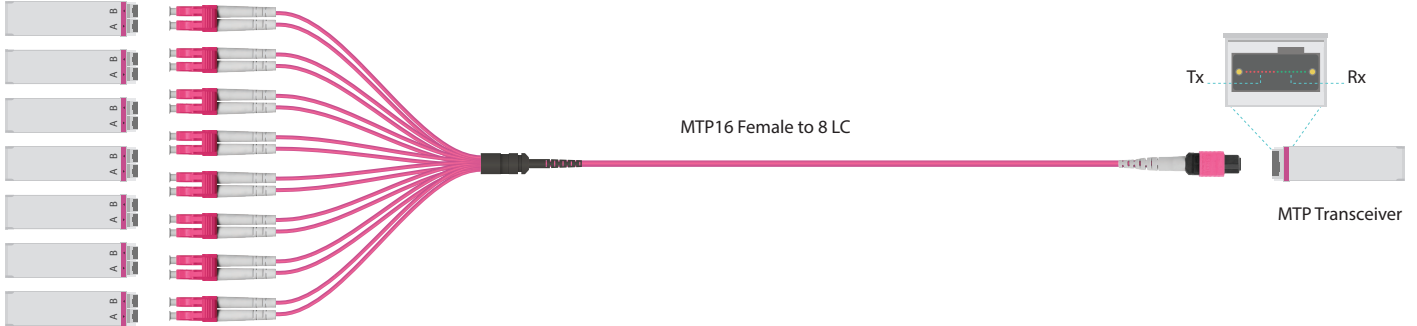


Patch Cord	Adapter	Fanout Patch Cord	Adapter	Patch Cord
A to B Patch Cord	LC Patch	24 LC to 24 LC A to B Patch Cord	LC Patch	A to B Patch Cord

200G/400G/800G Migrations - Direct Cabling

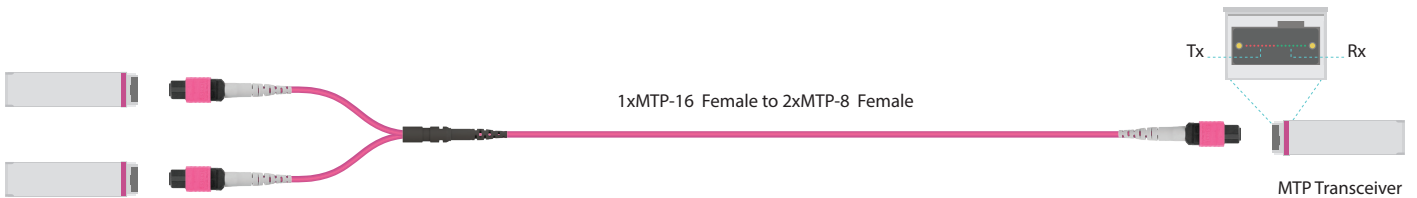
MTP to LC

LC Transceivers



	Fiber Type	LC Transceivers	Fanout	MTP Transceiver
200G	OM3/OM4	8x25G SFP28 SR	MTP/MPO to LC , 16F Fanout , Type B	200G QSFP-DD SR8
	OS2	8x25G SFP28 LR		200G QSFP-DD PSM8
400G	OM3/OM4	8x50G SFP56 SR		400G QSFP-DD SR8
	OS2	8x50G SFP56 FR/LR		400G QSFP-DD PSM8
800G	OM3/OM4	8x100G QSFP28 SR1		800G QSFP-DD SR8
	OS2	8x100G QSFP28 DR1/FR1/LR1		800G QSFP-DD PLR8/DR8

MTP to MTP



	Fiber Type	LC Transceivers	Fanout	MTP Transceiver
200G	OM3/OM4	2x100G QSFP28 SR4	1xMTP/MPO-16 to 2xMTP/MPO-8 16F Fanout , Type B	200G QSFP-DD SR8
	OS2	2x100G QSFP28 PSM4		200G QSFP-DD PSM8
400G	OM3/OM4	2x200G QSFP56 SR4		400G QSFP-DD SR8
	OS2	2x200G QSFP56 XDR4/PLR4		400G QSFP-DD PSM8
800G	OM3/OM4	2x400G QSFP112 SR4		800G QSFP-DD SR8
	OS2	2x400G QSFP112 PLR4/DR4		800G QSFP-DD PLR8/DR8