

Modular Ultra High Density Panel Installation

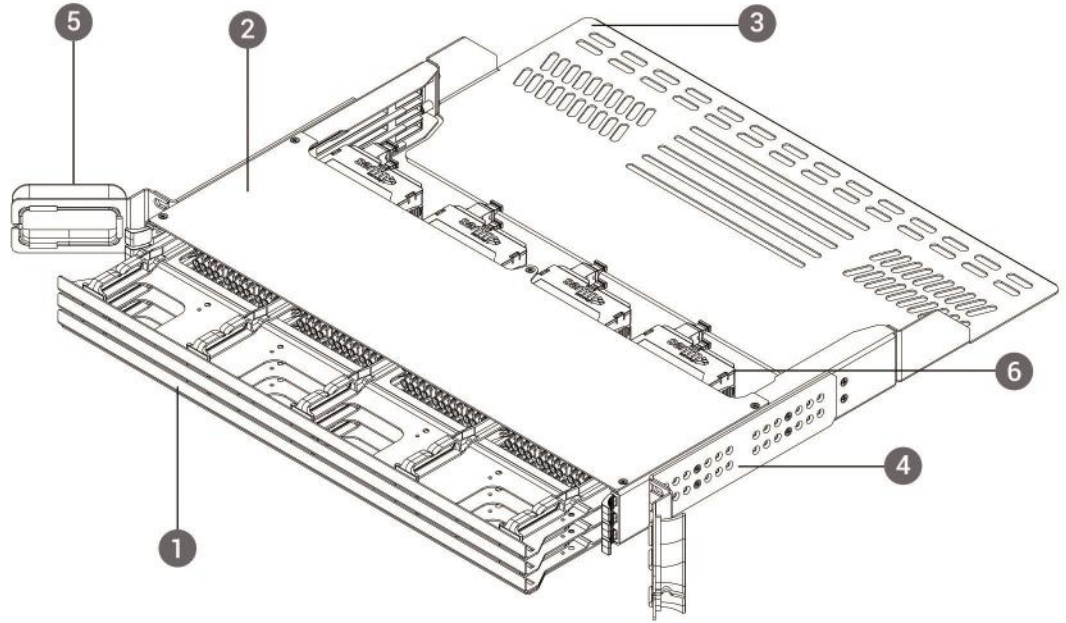
User Guide



Installation Instructions | Modular Ultra High Density Panels

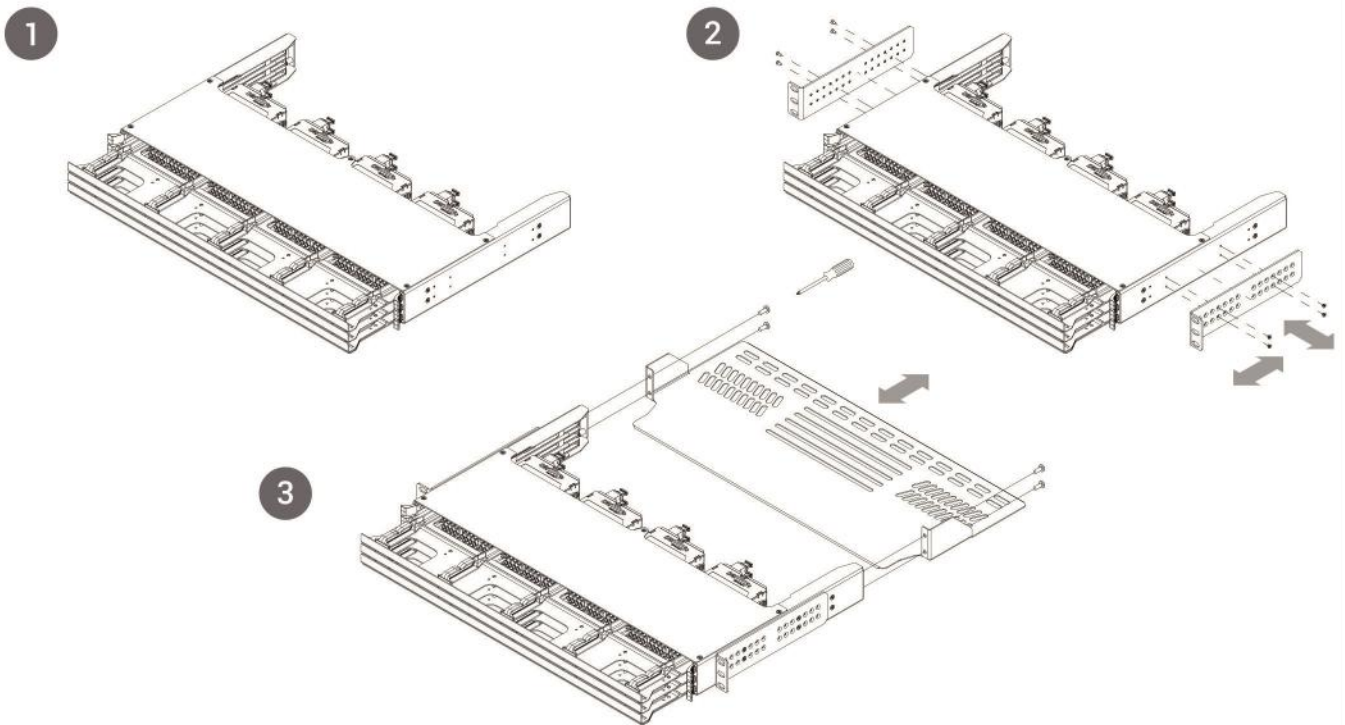
PARTS:

- 1- Modular Drawer
- 2- Top Cover
- 3- Rear Cable Organizer
- 4- Side Mounting Bracket
- 5- Cable Guide Set
- 6- Modular Cassette



SIDE BRACKETS AND REAR ORGANIZER INSTALLATION:

The side mounting brackets provide firm and durable mounting on 19" rack cabinets. The rear cable organizer provides easy and proper cable management. Follow the steps below for installing the brackets and rear organizer.

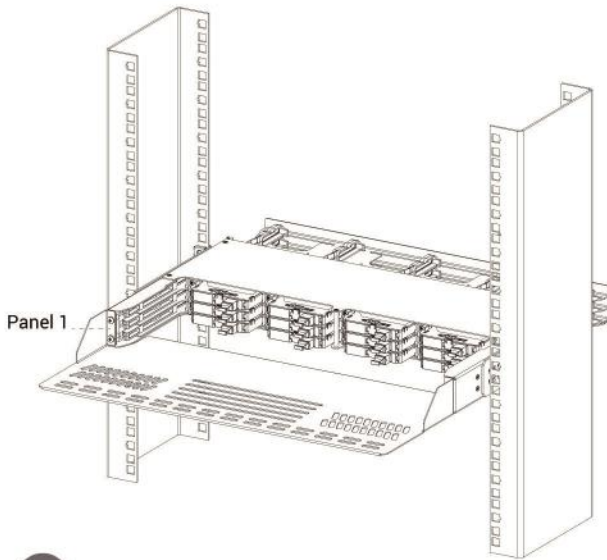


REAR ORGANIZER MOUNTING OPTIONS:

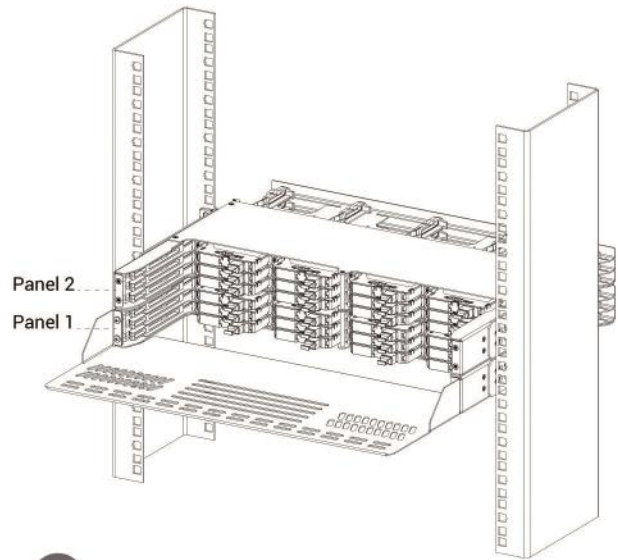
The rear organizer of the panel is very useful for managing of the cables on the back side of the panel. The organizer has enough space to organize the cables up to 4 panels.

Rear Organizer Mounting up to 4 Panels

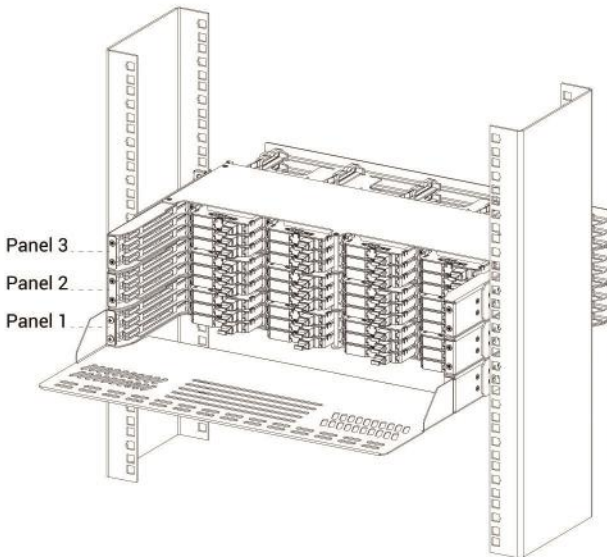
1U



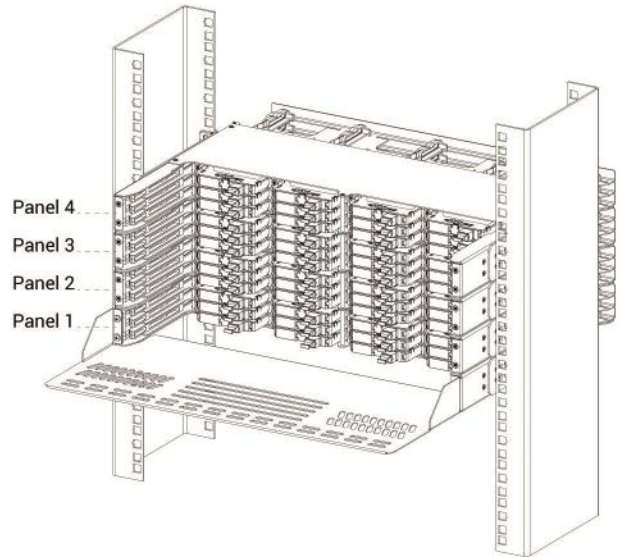
2U



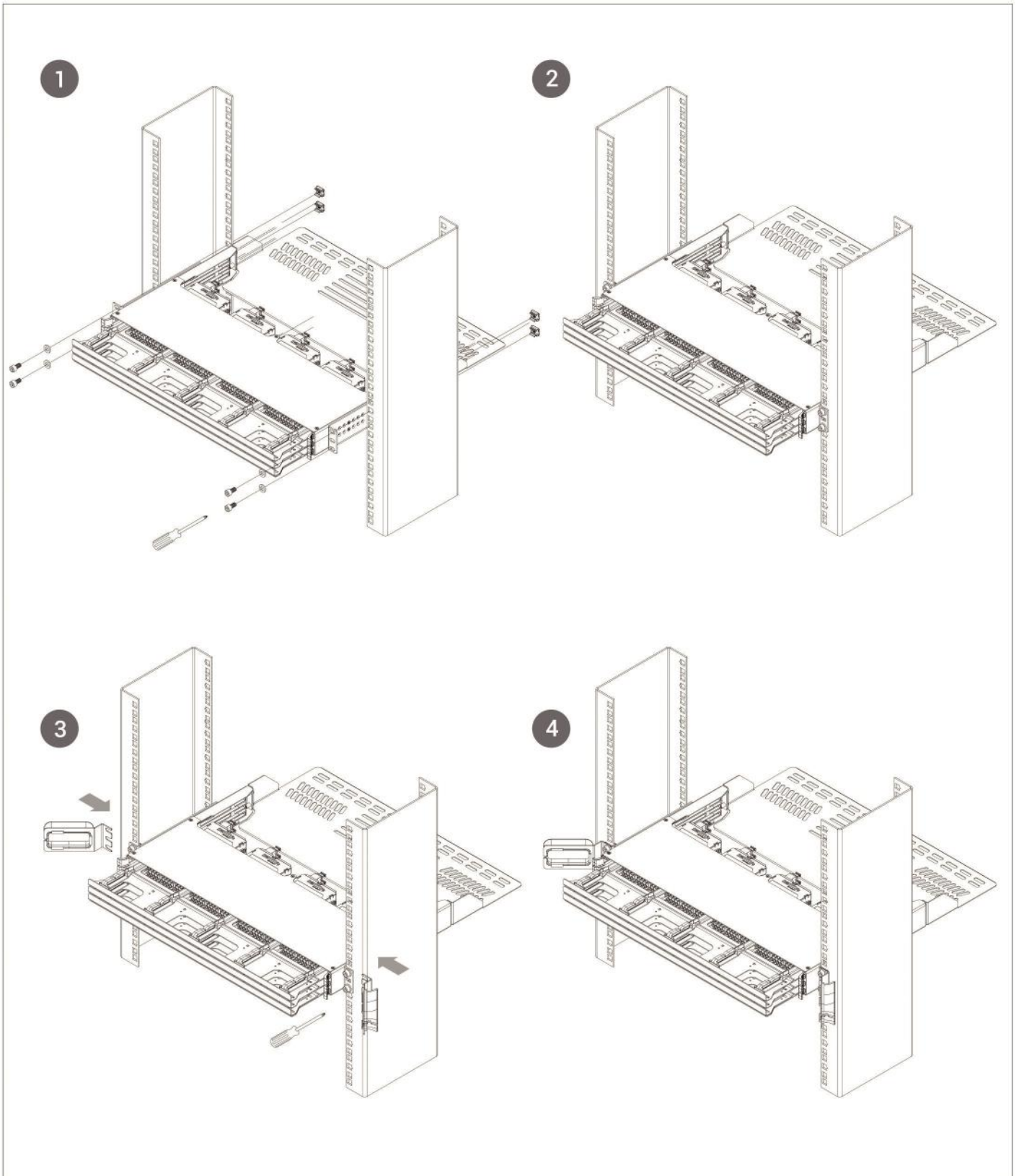
3U



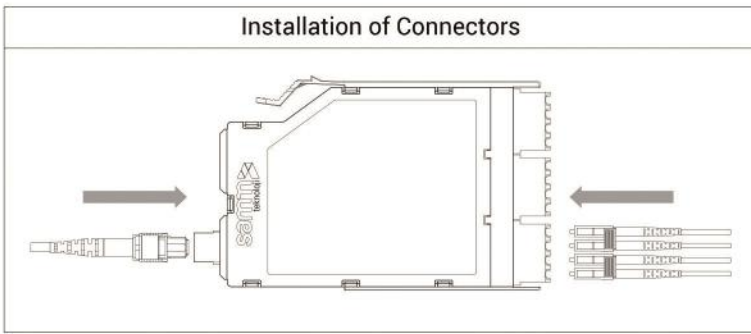
4U



PANEL MOUNTING ON A RACK FRAME:

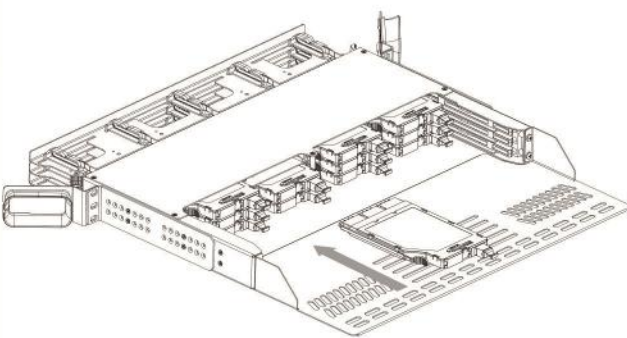
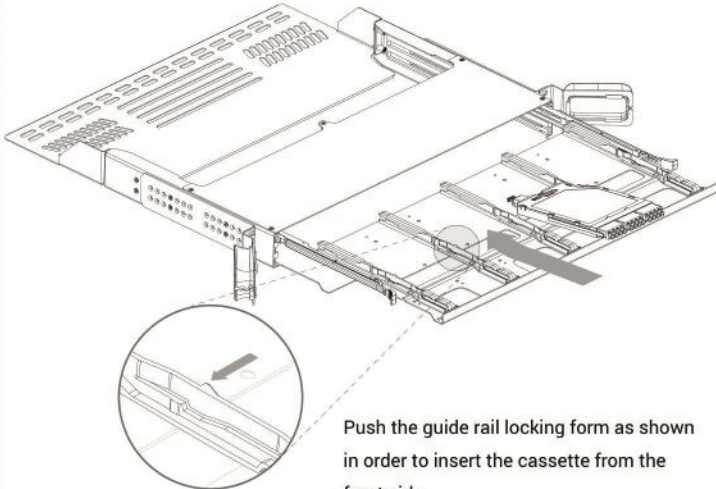


CASSETTE MODULES INSTALLATION:



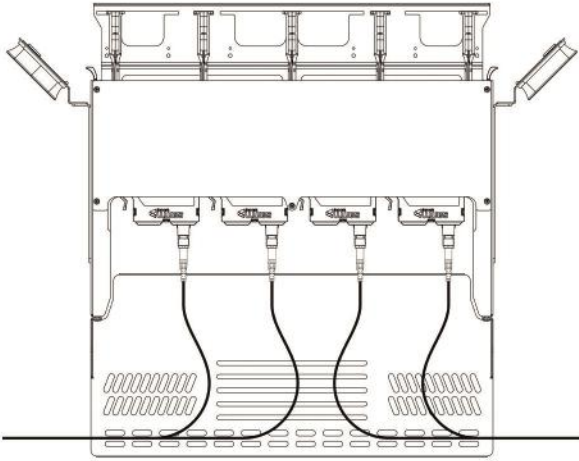
Before plugging connectors in the module cassettes, make sure to clean the adapters on the cassettes and the cable connectors with proper fiber cleaning tools.

When inserting the module cassettes, the first option is to insert them from the back directly into the designated drawers in the panel until you hear locking click sound. The second option is to insert the module cassettes into the panel trays from the front side. However, when inserting the cassette from the front, it should be inserted in a slightly angled position; and after pushing aside the docking plastic lock, the cassette can be pressed into its fixed position easily as illustrated below.

Option 1 - Installing the cassette from the back.	Option 2 - Installing the cassette from the front.
 <p data-bbox="162 1603 714 1638">The module cassette can be inserted directly from the back side.</p>	 <p data-bbox="1096 1603 1461 1708">Push the guide rail locking form as shown in order to insert the cassette from the front side.</p>

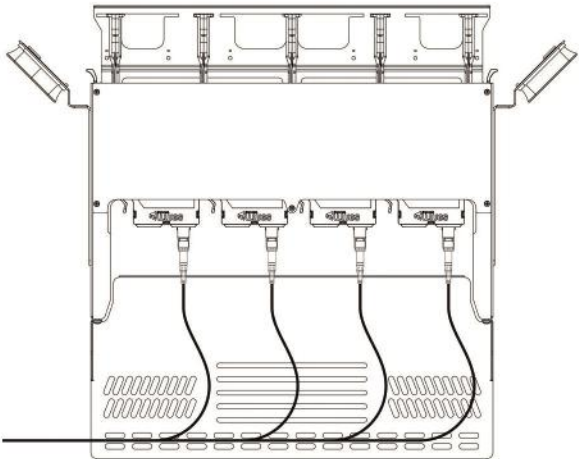
CABLE ROUTING ON ORGANIZER:

Back cables routed symmetrically

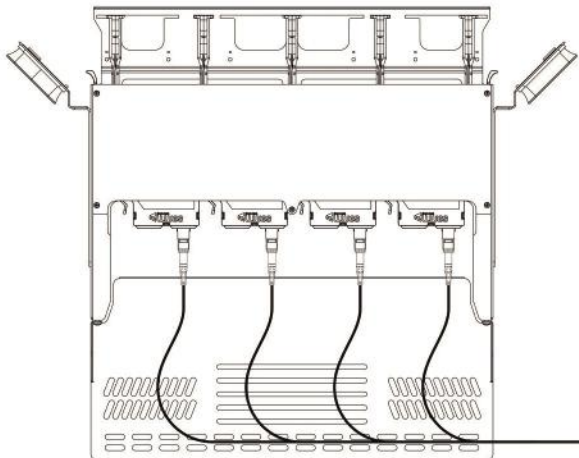


Follow the shown layout for routing cables out of the back side of the panel. Make sure to leave enough slack in order to fully pull the front drawers easily without creating any tension on the cables.

Back cables routed to left



Back cables routed to right



SAMM Teknoloji
İletişim San. ve Tic. A.Ş.

Website: www.samm.com
E-mail: info@samm.com

Tel: +90 444 17 26
Tel: +90 (262) 677 16 80
Fax: +90 (262) 677 16 81

Head Office and Gebze Factory Address:
Gebze Organize Sanayi Bölgesi (GOSB)
İhsandede Cd. 800. Sok No: 802
41400 Gebze - Kocaeli, Türkiye

     /SammTeknoloji