

DIN Rail Module Installation

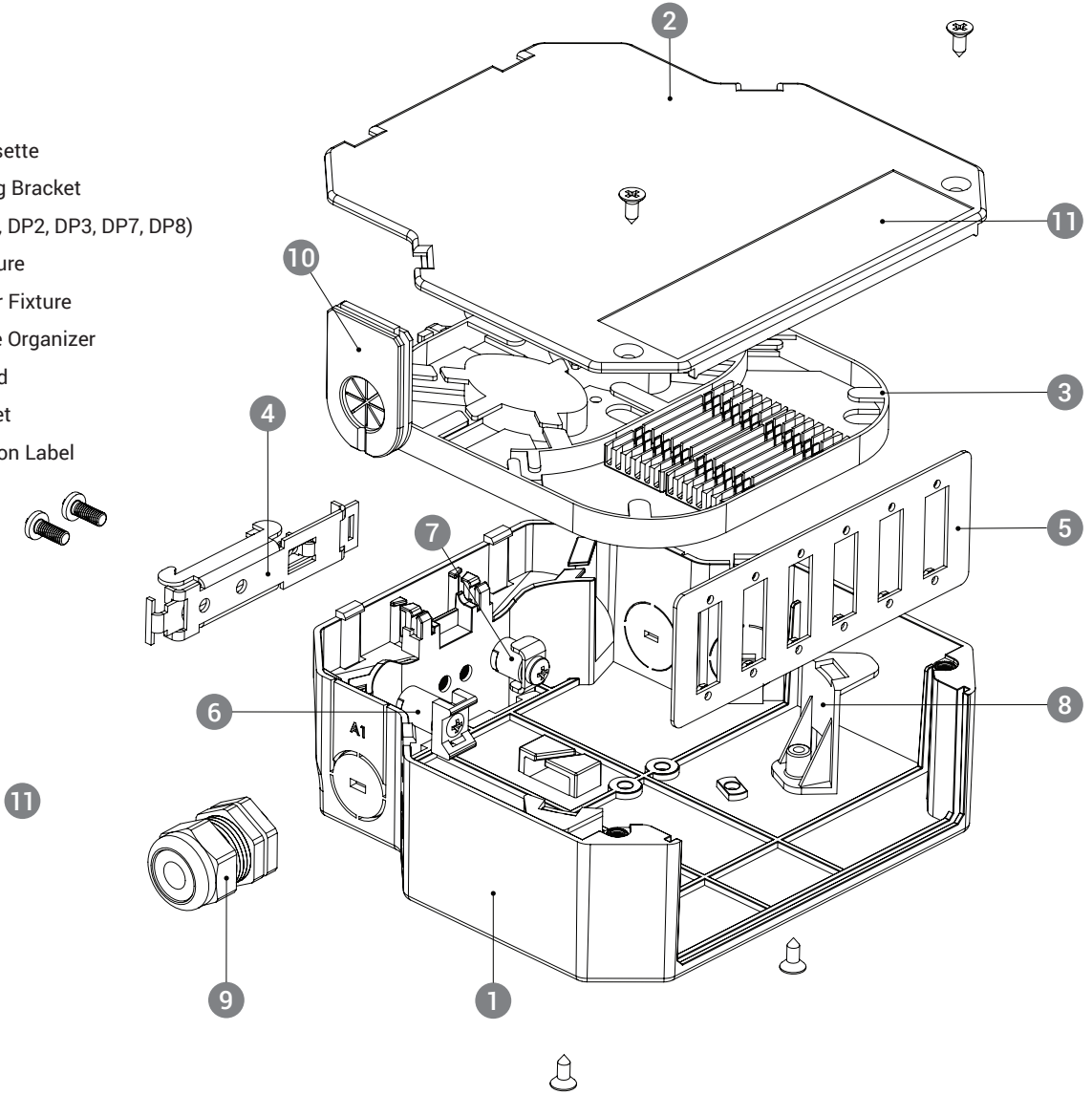
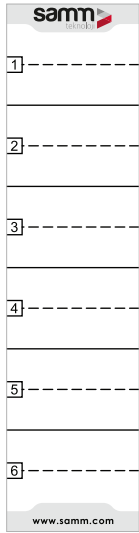
User Guide





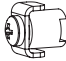
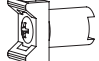
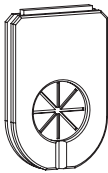
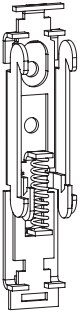
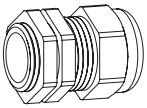



Box Introduction

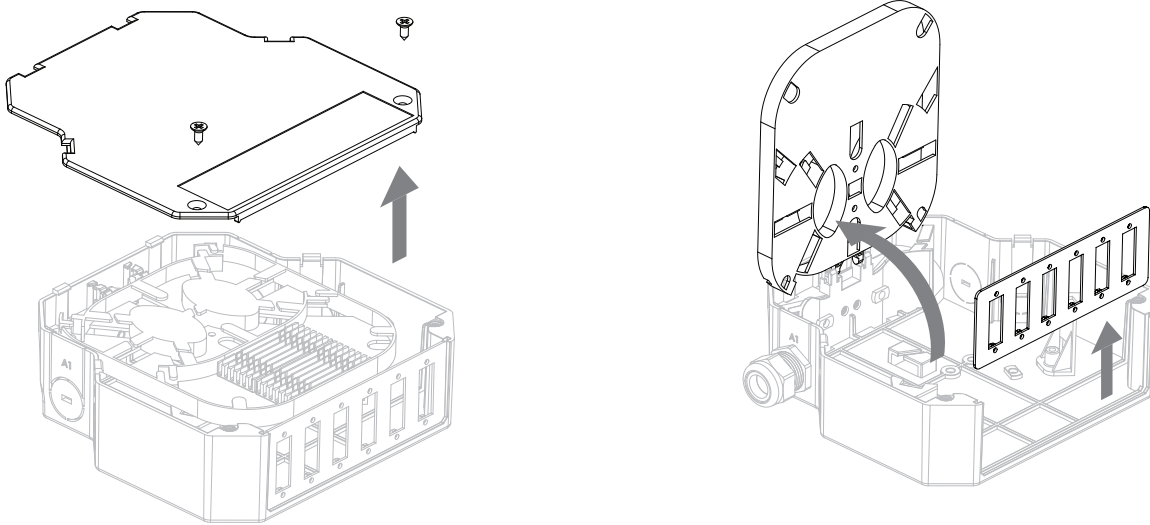
CONTENTS:

- 1- Box Body
- 2- Box Top Cover
- 3- 24FO Splice Cassette
- 4- Din Ray Mounting Bracket
- 5- Front Panel (DP1, DP2, DP3, DP7, DP8)
- 6- Cable Tie-up Fixture
- 7- Strength Member Fixture
- 8- Half Round Cable Organizer
- 9- PG11 Cable Gland
- 10- Rubber Grommet
- 11- Port Identification Label



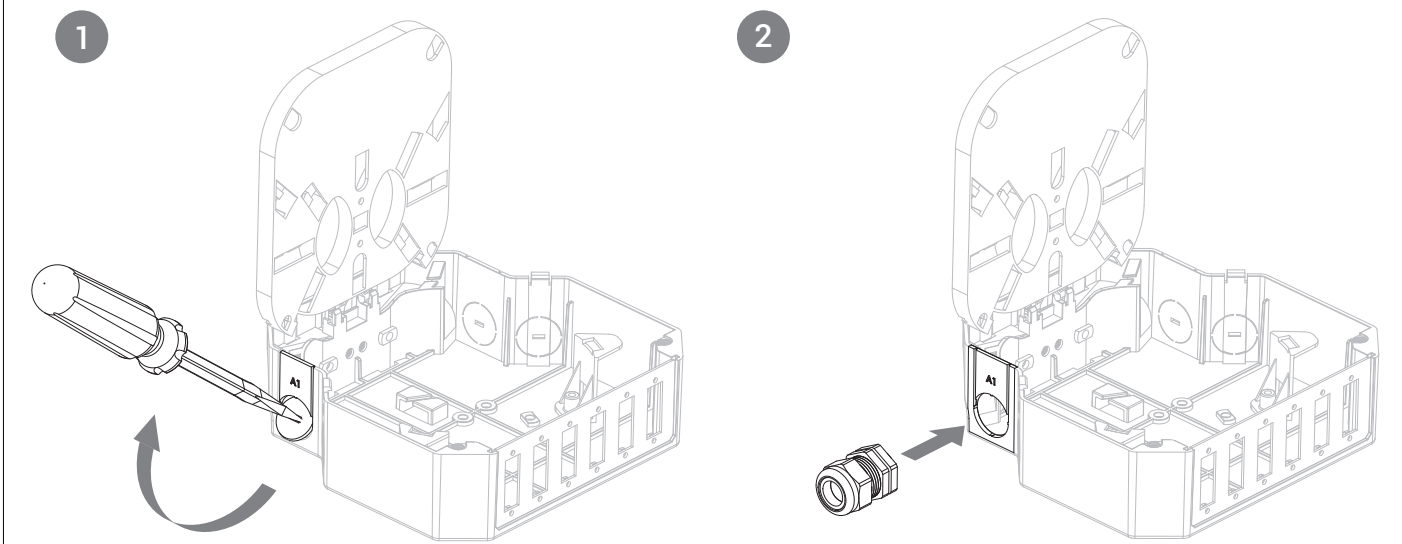
Screw 1	Screw 2	Screw 3	Nut 1	Strength Member Fixture	Cable Tie Up Fixture
A1	A2	A3	B1	C1	C2
					
M4x16mm 2x	M4x10mm 2x	M4x10mm 2x	M4 2x	M4 1x	M4 1x
Plastic Grommet for Cable Entry	DIN Rail Mounting Bracket	Gland for Cable Entry	Cable Tie		
D1	E1	F1	G1		
					
1x	1x	PG11 1x	2,5x100 mm 3x		

Box Key Functions

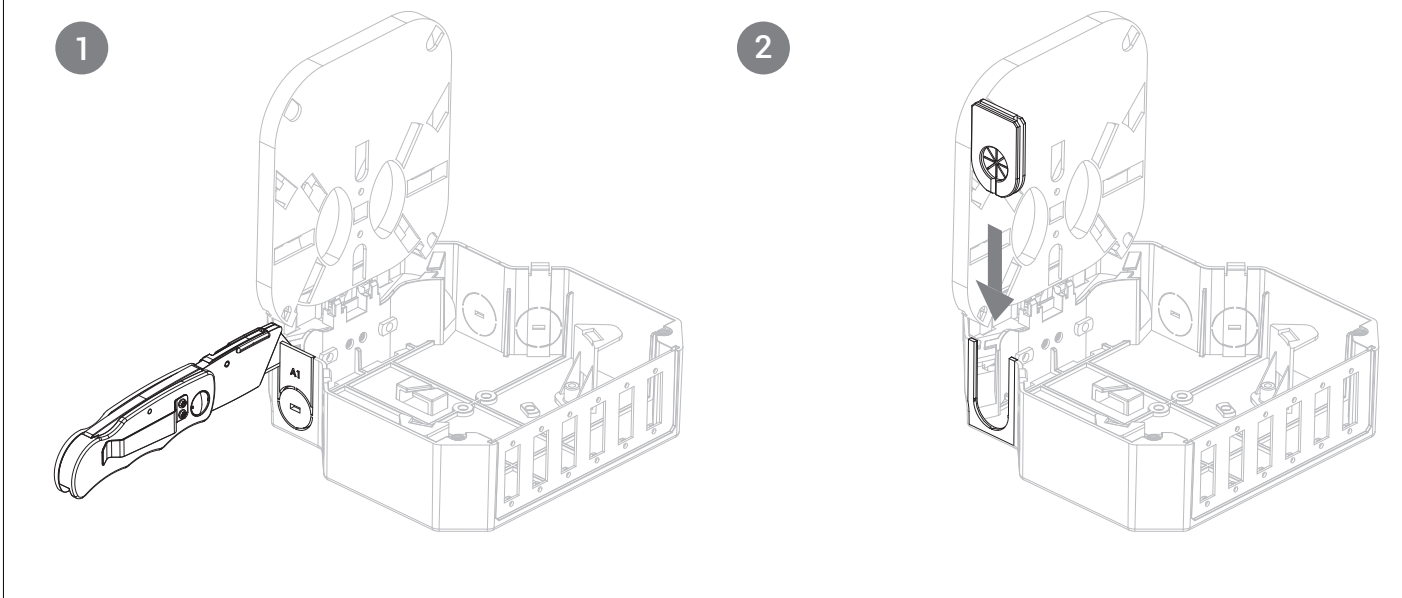


Cable Entry Options

Option 1 - Installing the Cable with a Gland

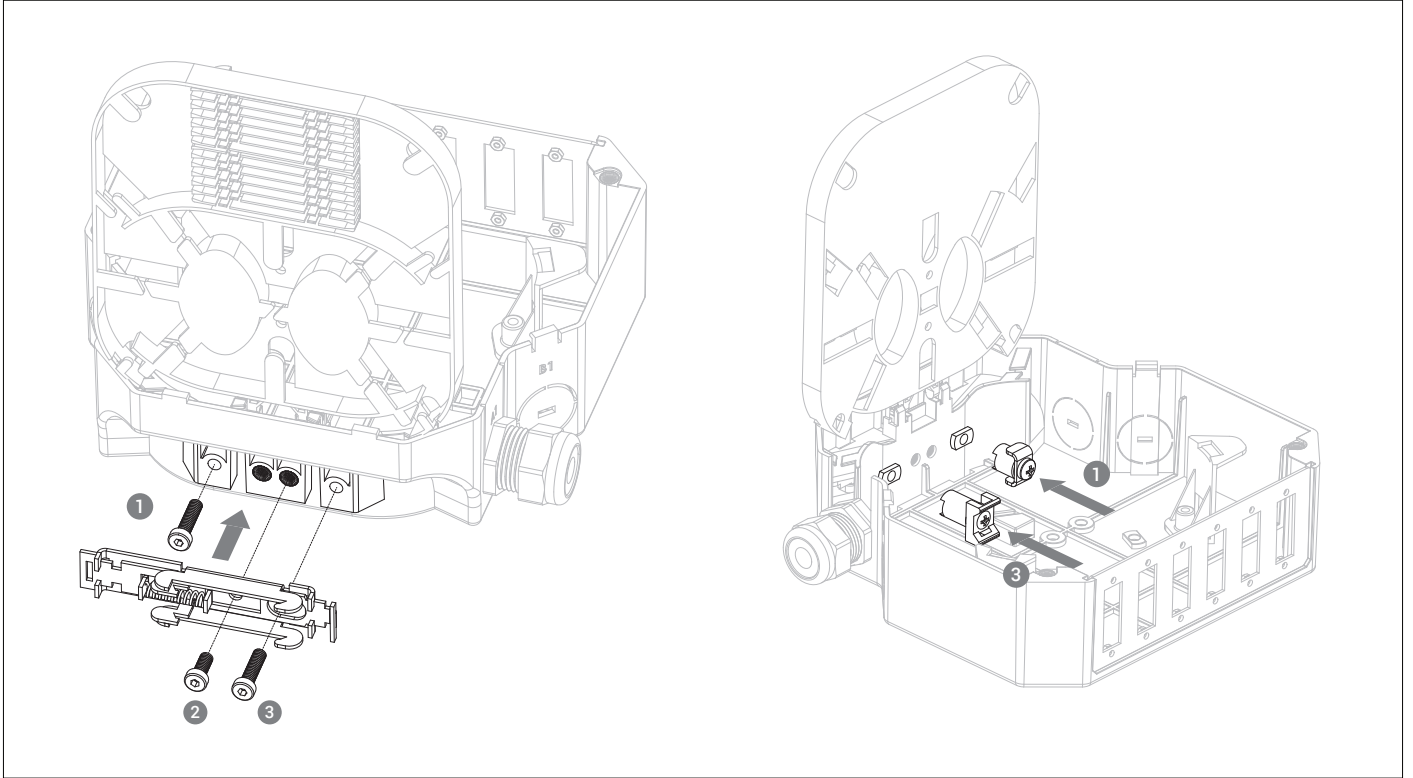


Option 2 - Installing the Cable through a Grommet

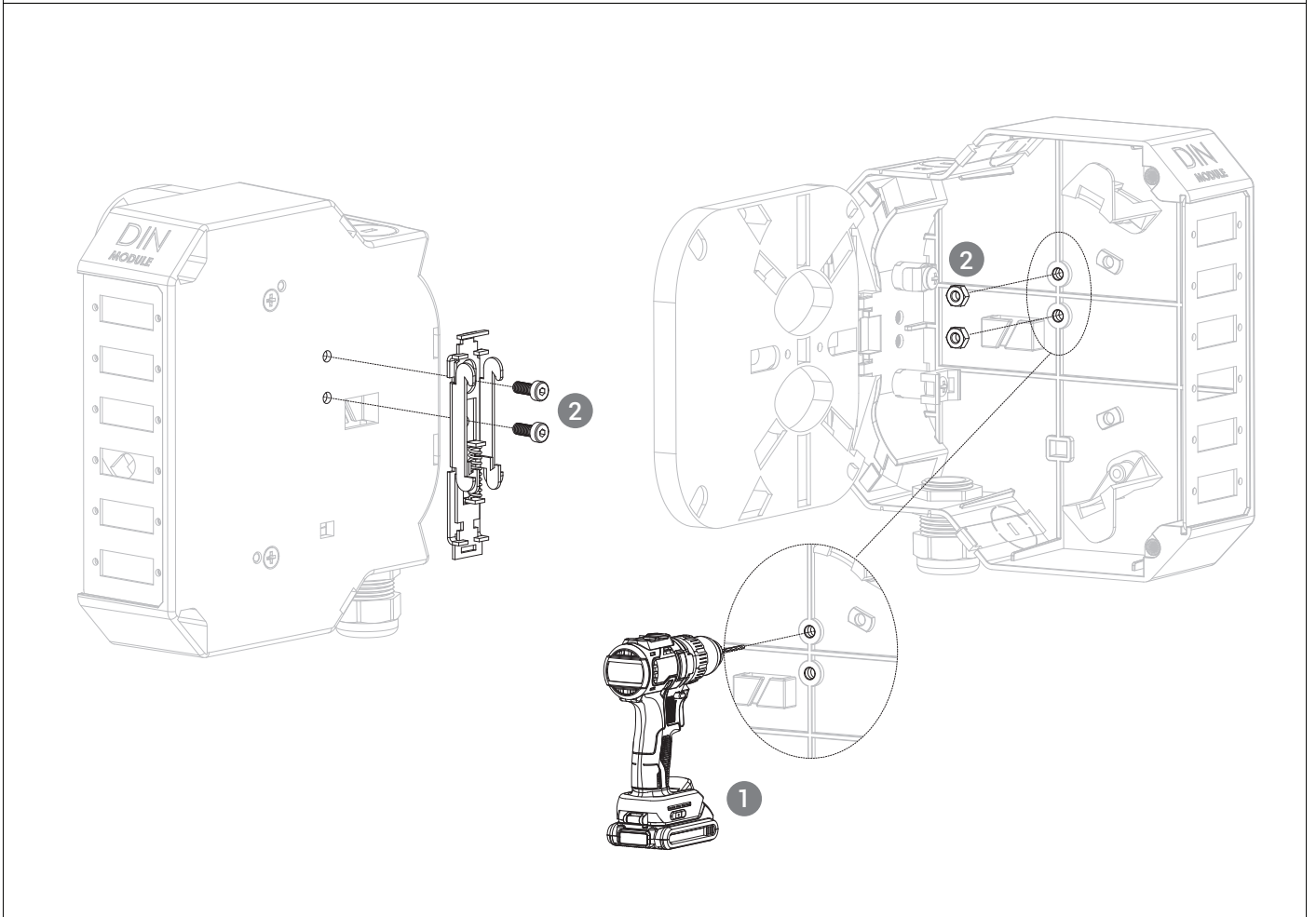


DIN Rail Bracket Installation

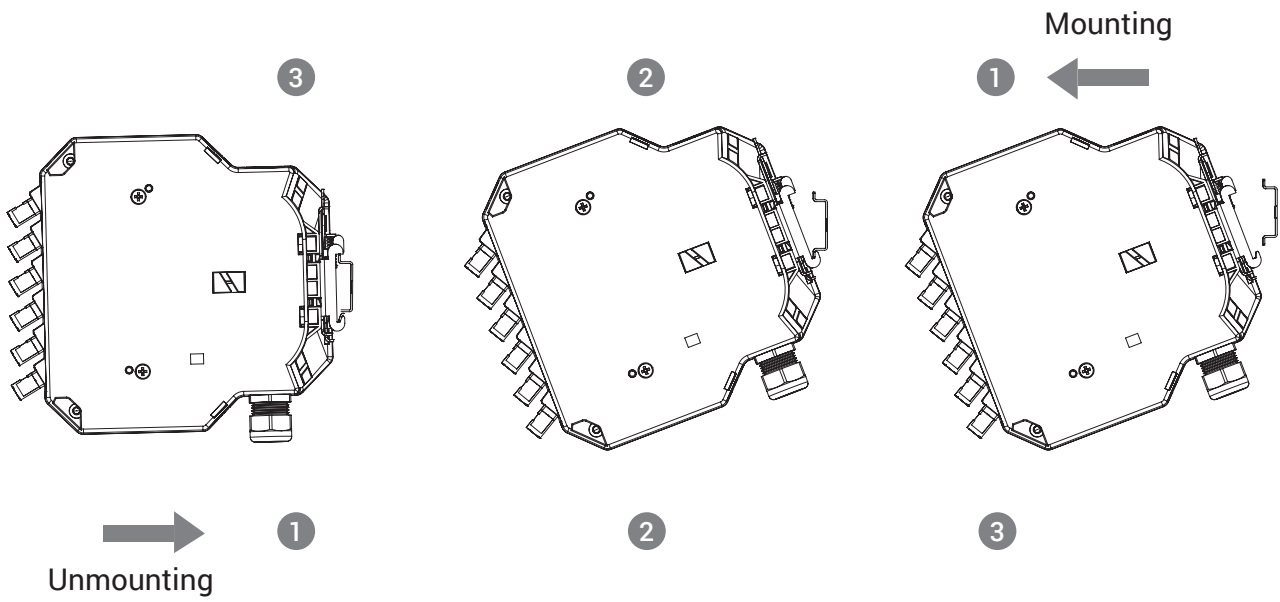
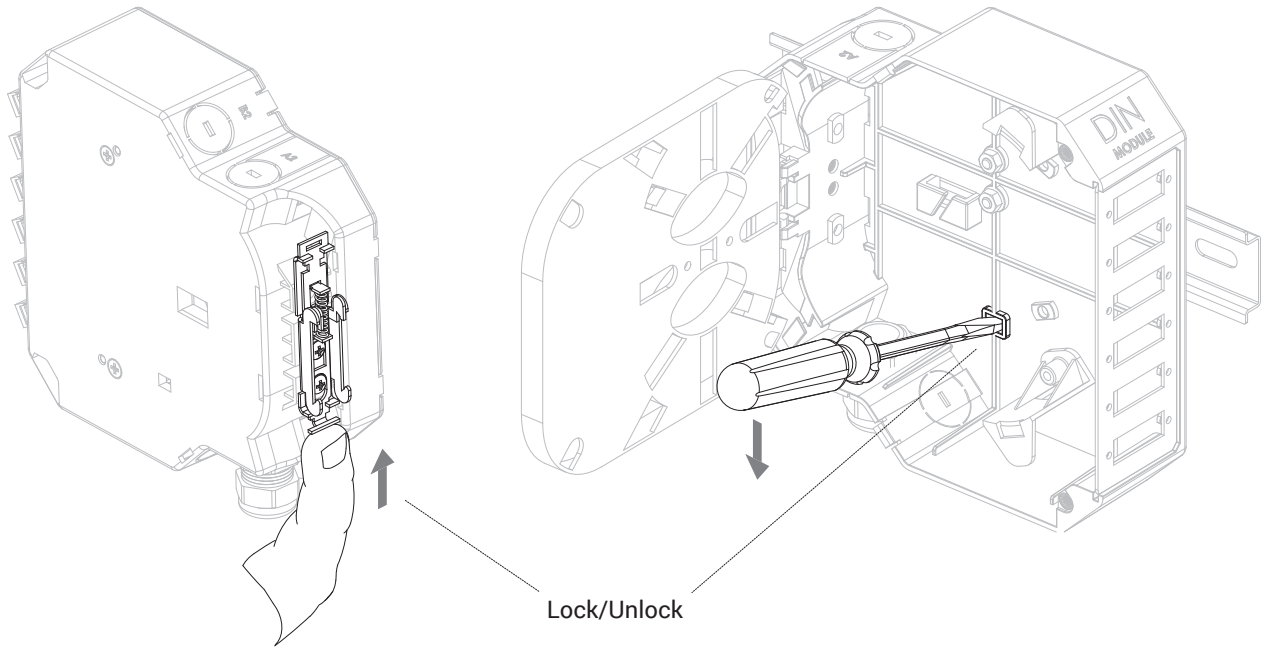
Vertical Mounting (Standard)



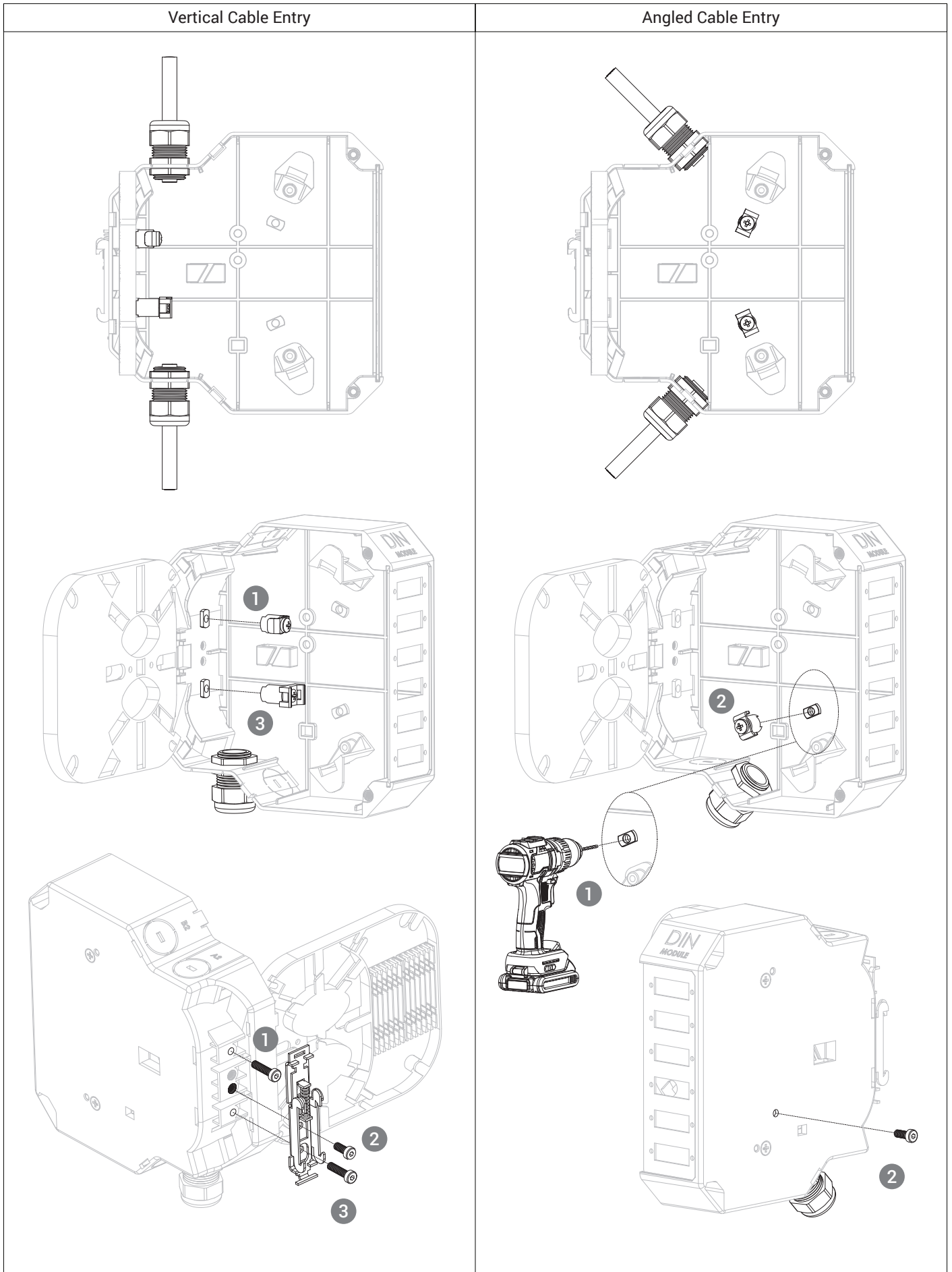
Horizontal Mounting



Box Rail Mounting and Unmounting

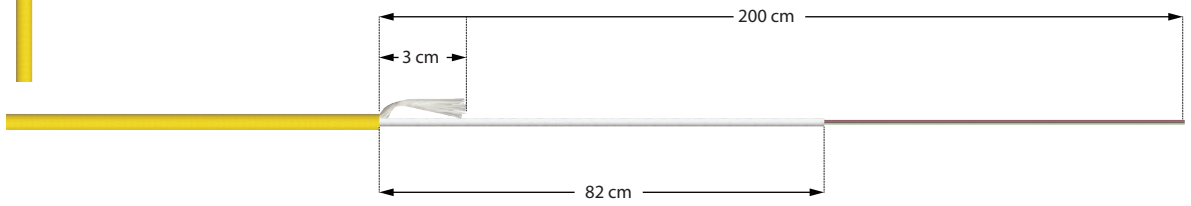


Cable Entry Options

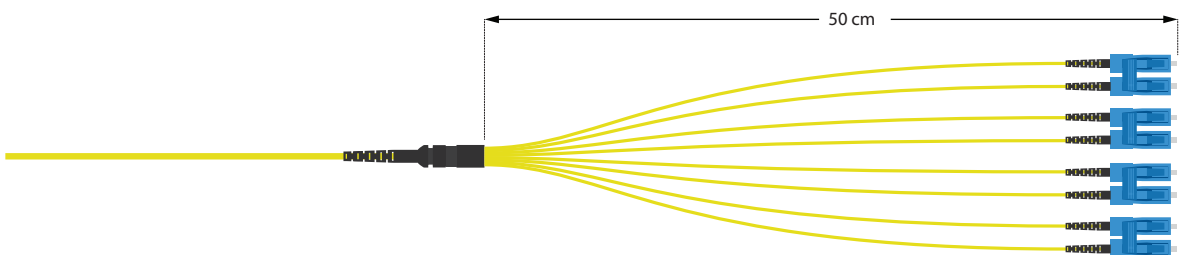
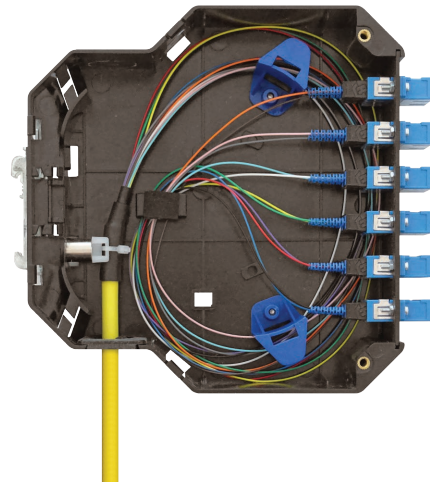


Cable Preparation and Assembly

Splice Termination



Patch Termination



SAMM Teknoloji
İletişim San. ve Tic. A.Ş.

Website: www.samm.com
E-mail: info@samm.com

Tel: +90 444 17 26
Tel: +90 (262) 677 16 80
Fax: +90 (262) 677 16 81

Head Office and Gebze Factory Address:
Gebze Organize Sanayi Bölgesi (GOSB)
İhsandede Cd. 400. Sok No: 402
41400 Gebze - Kocaeli, Türkiye

     /SammTeknoloji