

DIN Module Installation

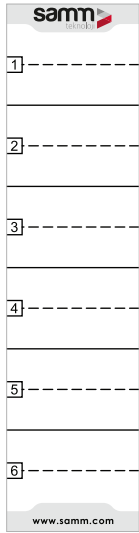
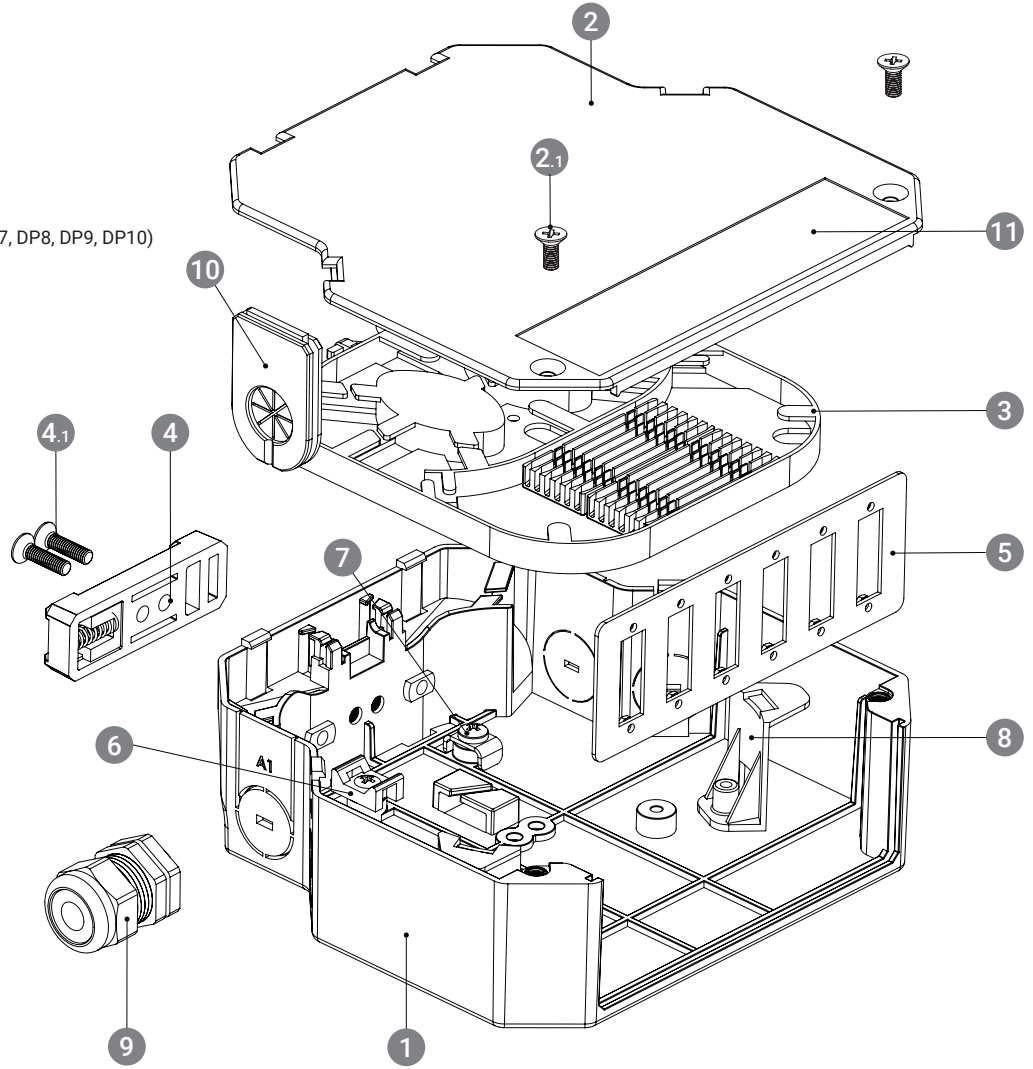
User Guide




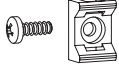
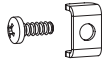
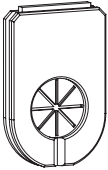
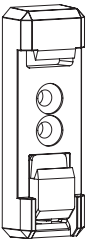
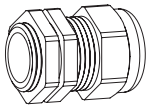



Box Introduction

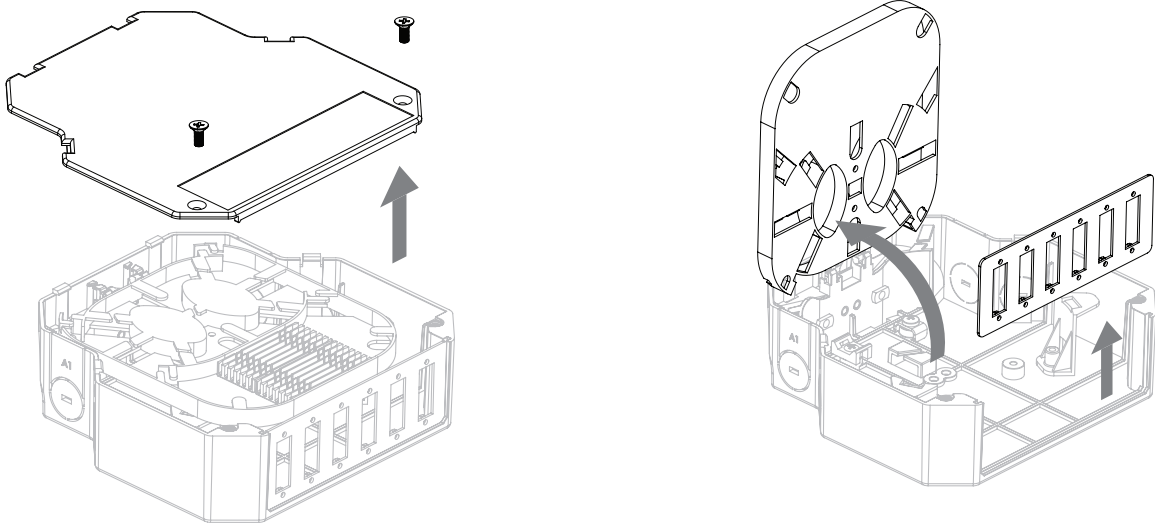
CONTENTS:

- 1- Box Body
- 2- Box Top Cover
- 3- 24FO Splice Cassette
- 4- Din Ray Mounting Bracket
- 5- Front Panel (DP1, DP2, DP3, DP7, DP8, DP9, DP10)
- 6- Cable Tie-up Fixture
- 7- Strength Member Fixture
- 8- Half Round Cable Organizer
- 9- PG11 Cable Gland
- 10- Rubber Grommet
- 11- Port Identification Label



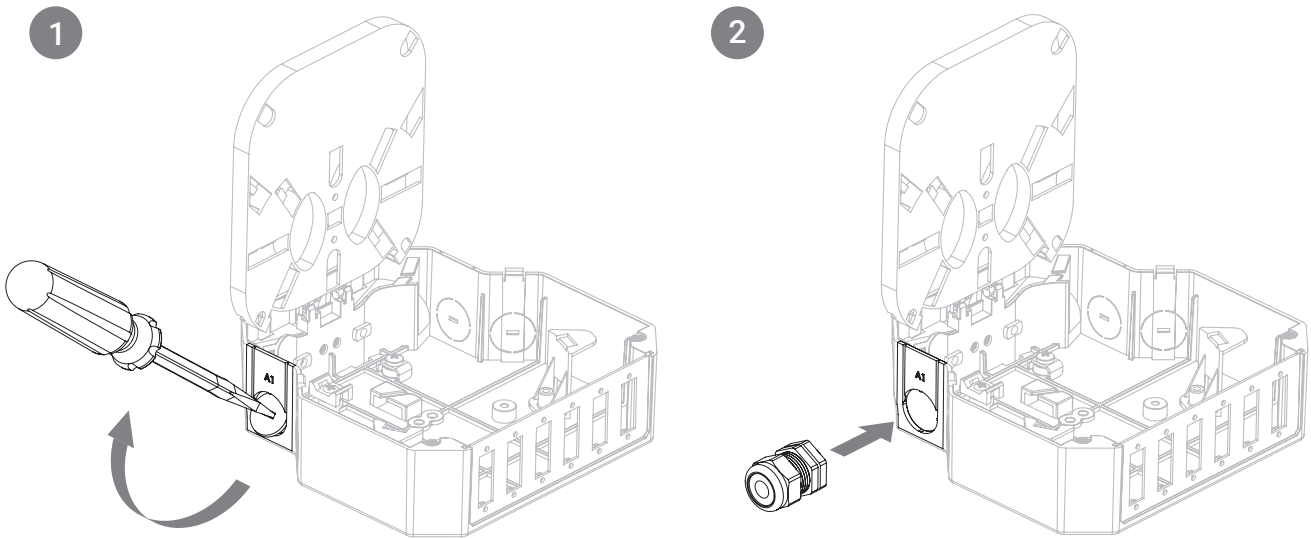
Screw 1	Screw 2	Nut 1	Strength Member Fixture	Cable Tie Up Fixture
 2.1	 4.1	 4.2	 6	 7
M4x12mm 2x	M4x16mm 2x	M4 2x	M 3.5x8 1x	M 3.5x8 1x
Plastic Grommet for Cable Entry	DIN Rail Mounting Bracket	Gland for Cable Entry	Cable Tie	
 10	 4	 9		
1x	1x	PG11 1x	2,5x100 mm 3x	

Box Key Functions

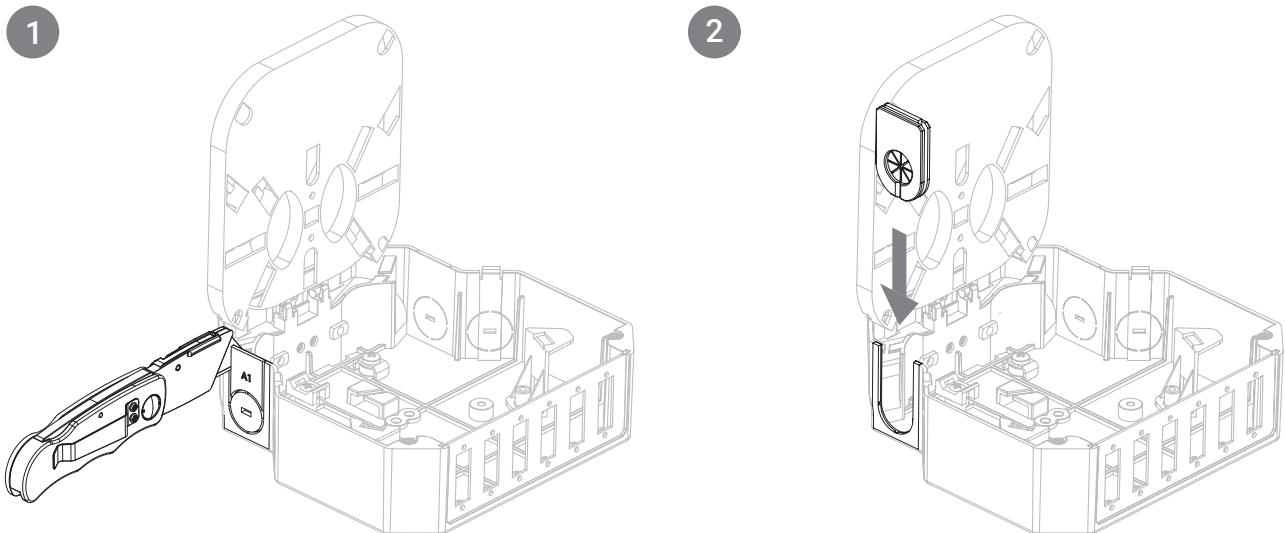


Cable Entry Options

Option 1 - Installing the Cable with a Gland

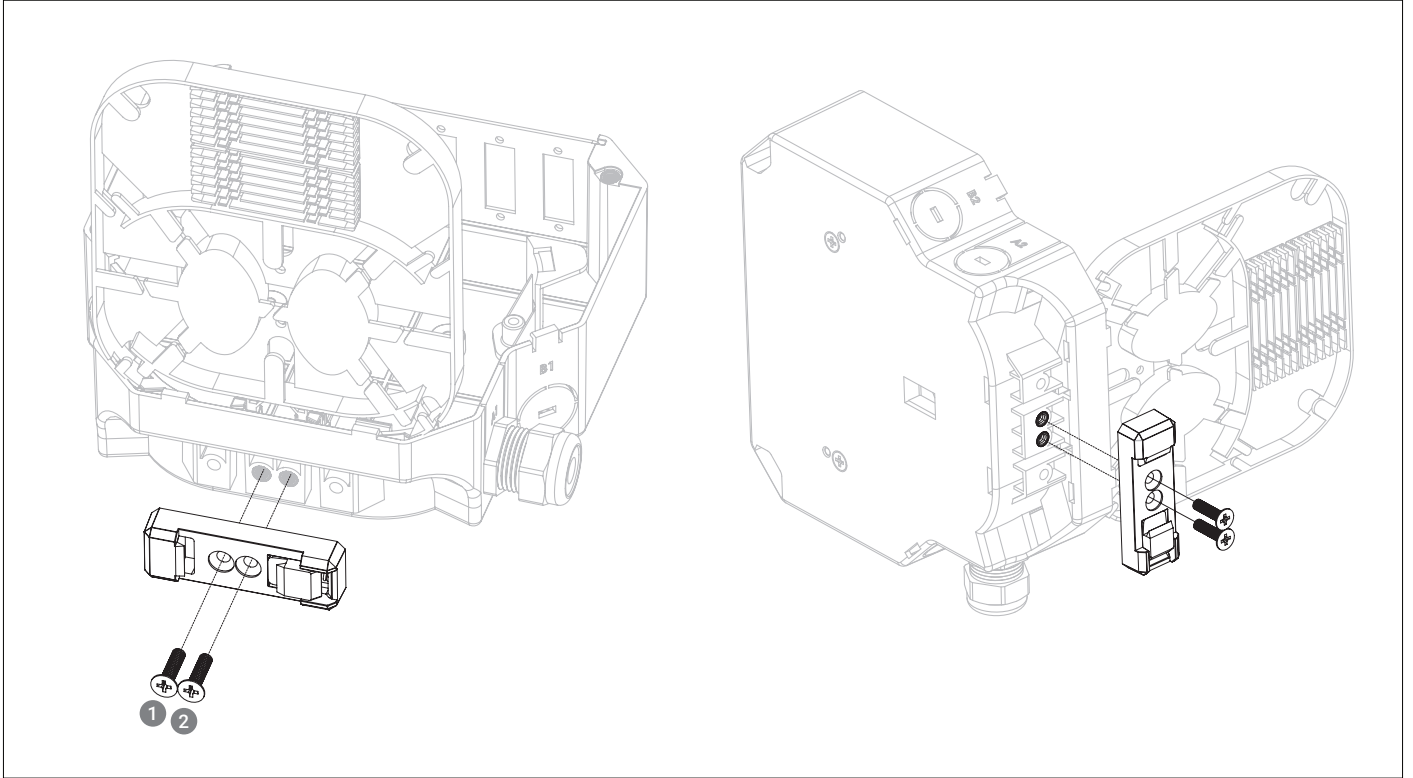


Option 2 - Installing the Cable through a Grommet

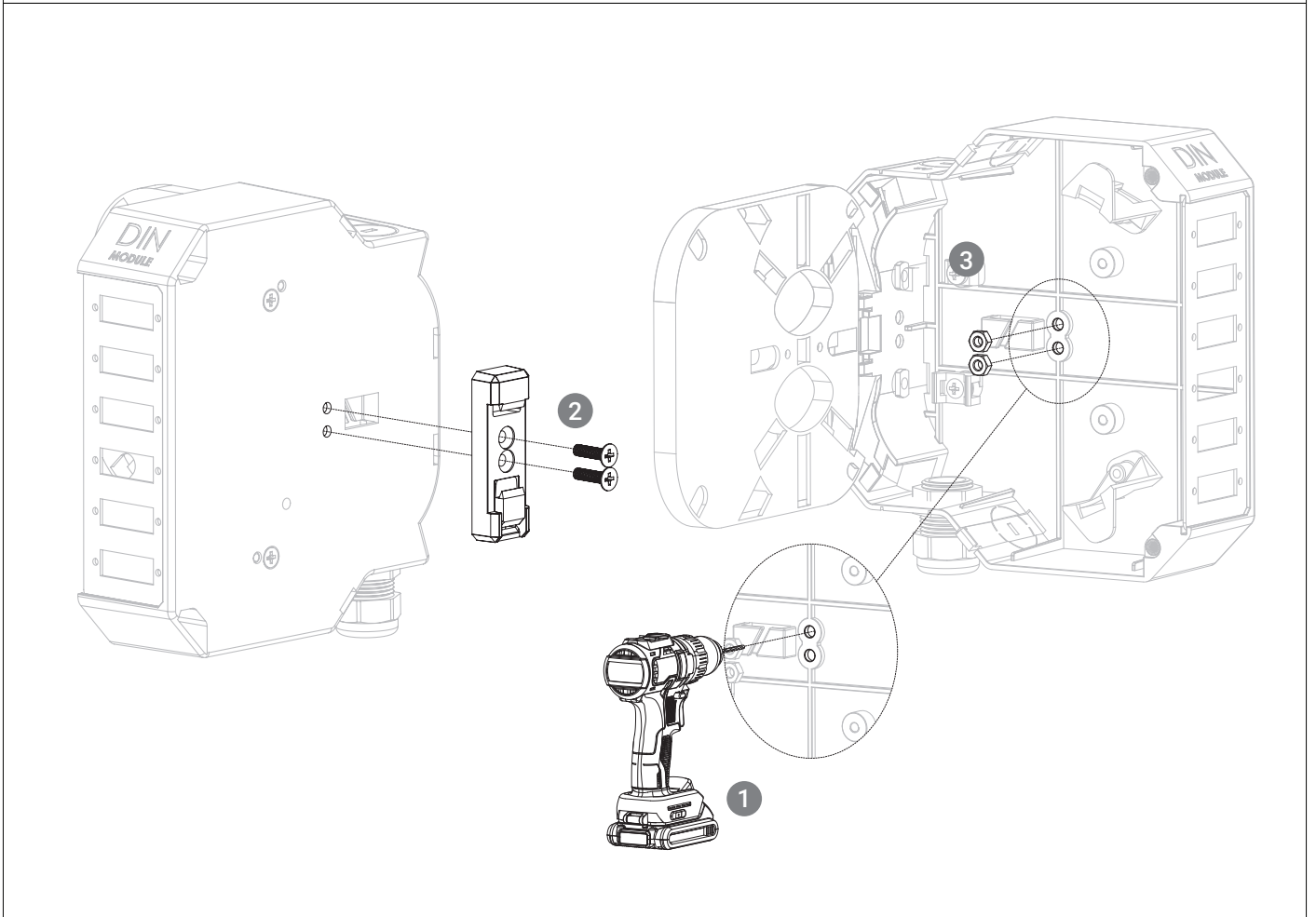


DIN Rail Bracket Installation

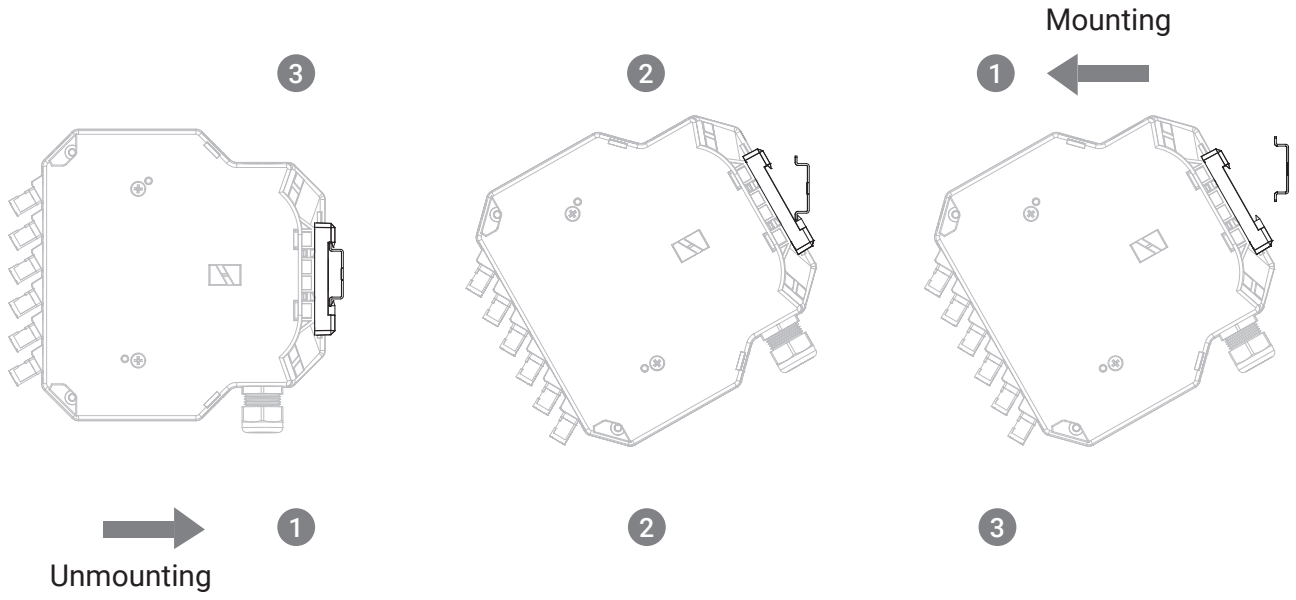
Vertical Mounting (Standard)



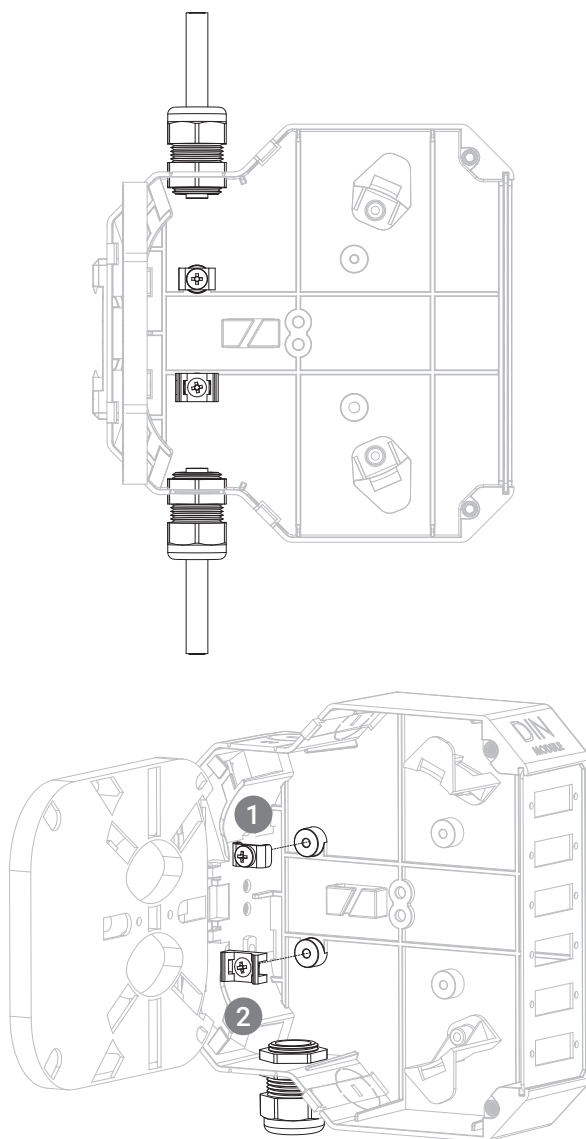
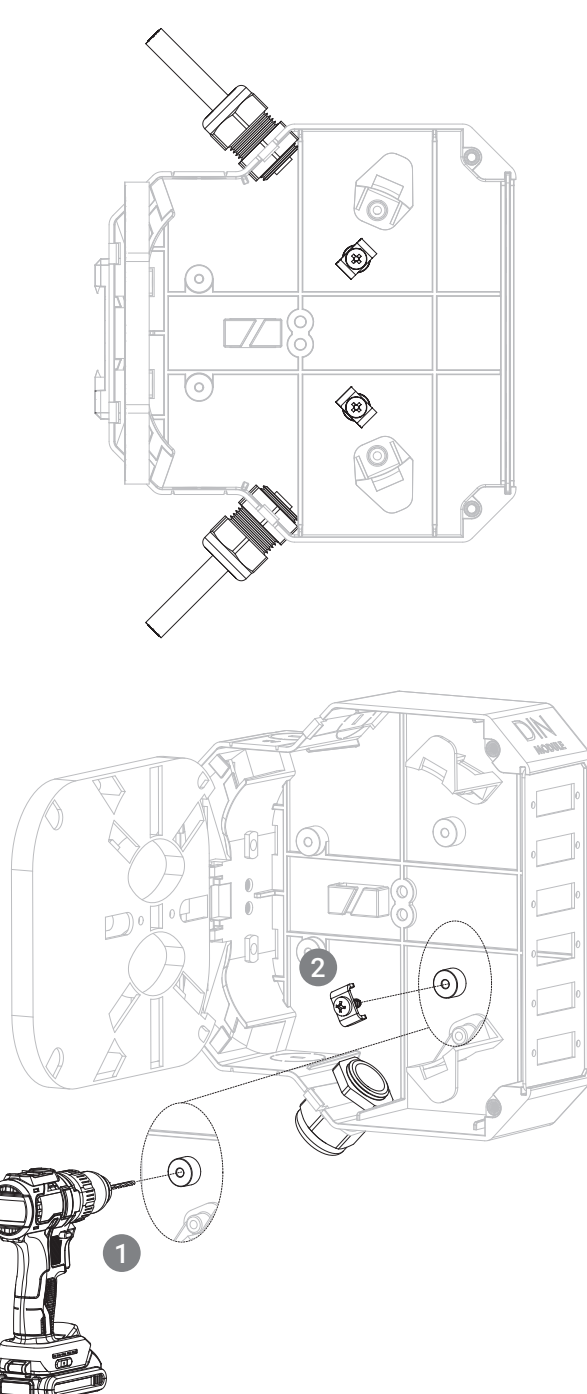
Horizontal Mounting



Box Rail Mounting and Unmounting

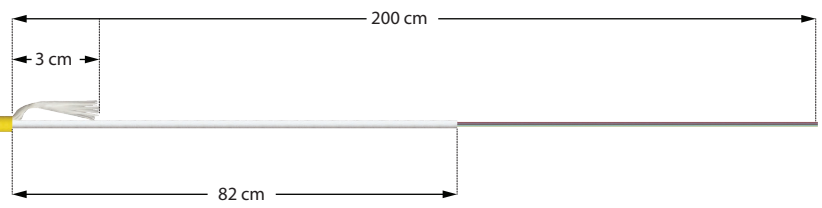


Cable Entry Options

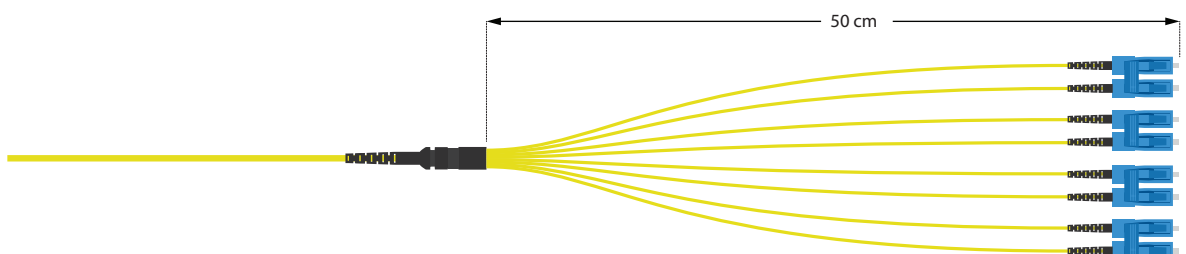
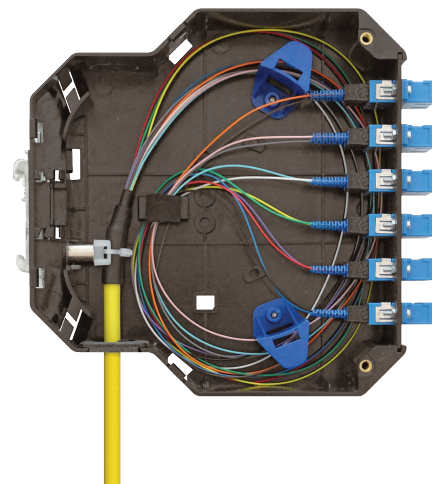
Vertical Cable Entry	Angled Cable Entry
 <p>The top diagram illustrates a cable entering the DIN module vertically through the top and bottom ports. The bottom diagram shows the internal assembly with callouts 1 and 2 pointing to the mounting hardware.</p>	 <p>The top diagram illustrates a cable entering the DIN module at an angle through the top and bottom ports. The bottom diagram shows the internal assembly with callouts 1 and 2. A separate image of a power drill with callout 1 points to a hole in the panel.</p>

Cable Preparation and Assembly

Splice Termination



Patch Termination



SAMM Teknoloji
İletişim San. ve Tic. A.Ş.

Website: www.samm.com
E-mail: info@samm.com

Tel: +90 444 17 26
Tel: +90 (262) 677 16 80
Fax: +90 (262) 677 16 81

Head Office and Gebze Factory Address:
Gebze Organize Sanayi Bölgesi (GOSB)
İhsandede Cd. 400. Sok No: 402
41400 Gebze - Kocaeli, Türkiye

     /SammTeknoloji