

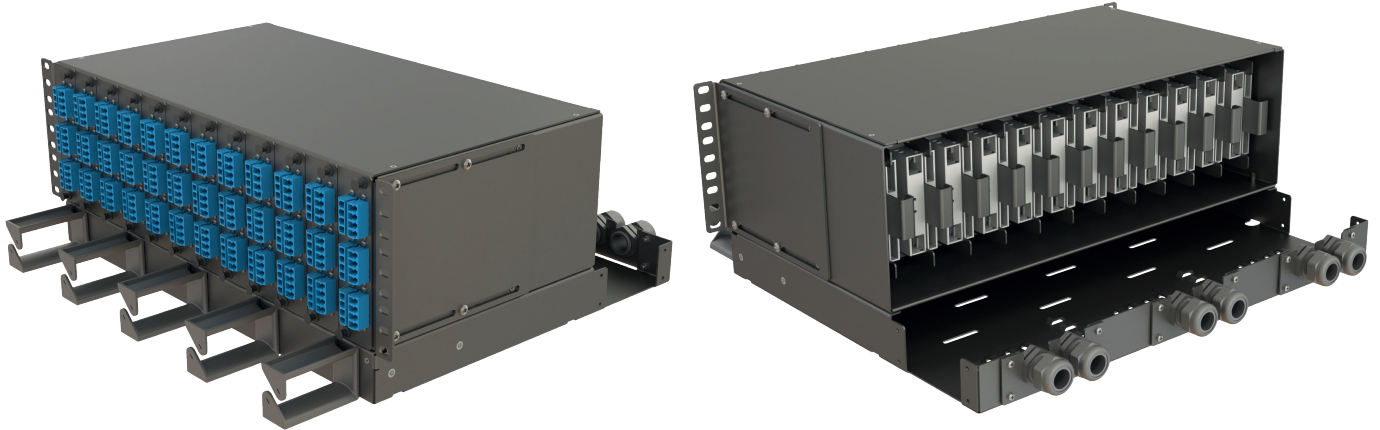
## **Modular Sub-rack Panels Installation**

### User Guide

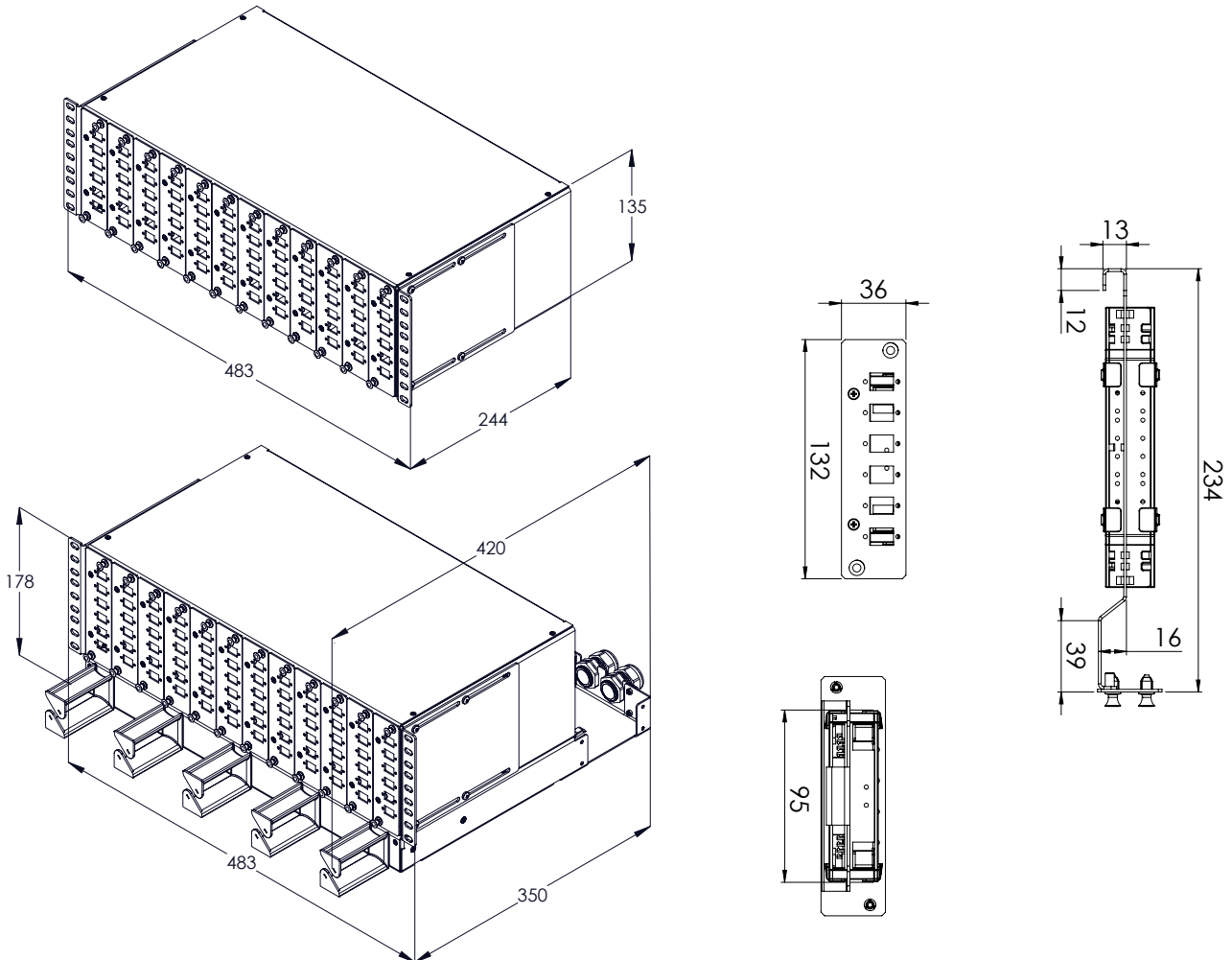


Call Center +90 444 1 726

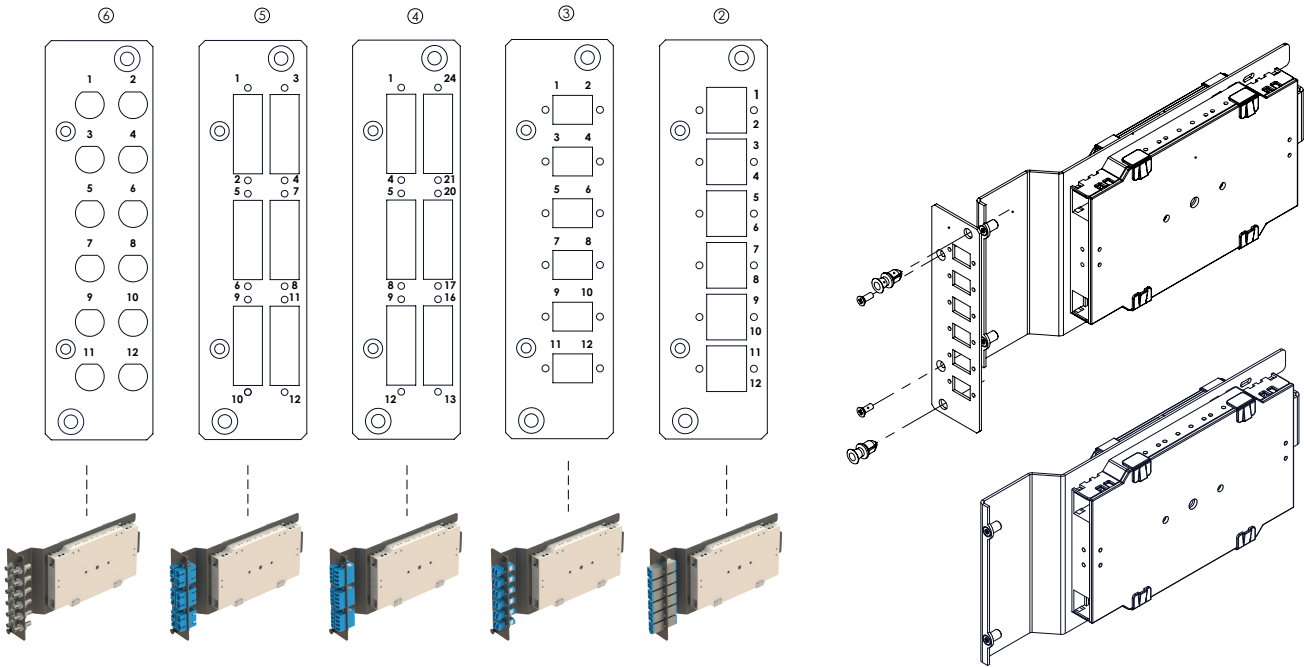
Sub-rack Panels Installation



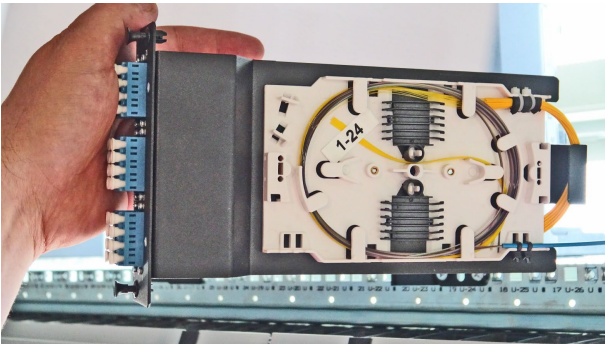
Dimensions of Panels and Modules



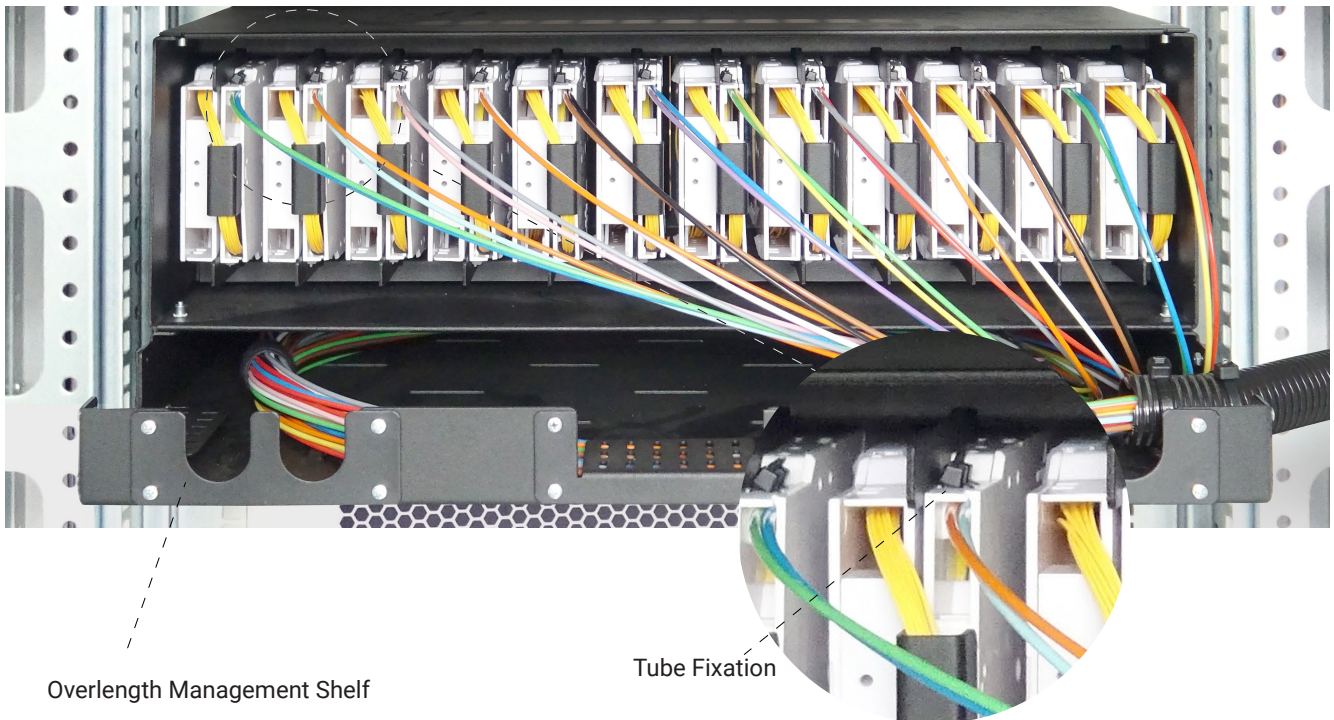
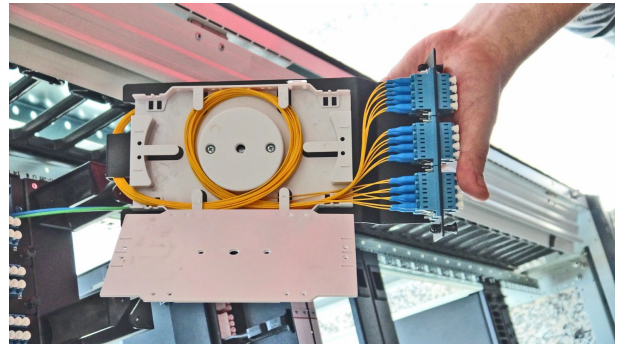
Module Installation with Different Front Panel Options



Pigtail Installation on Splice Tray



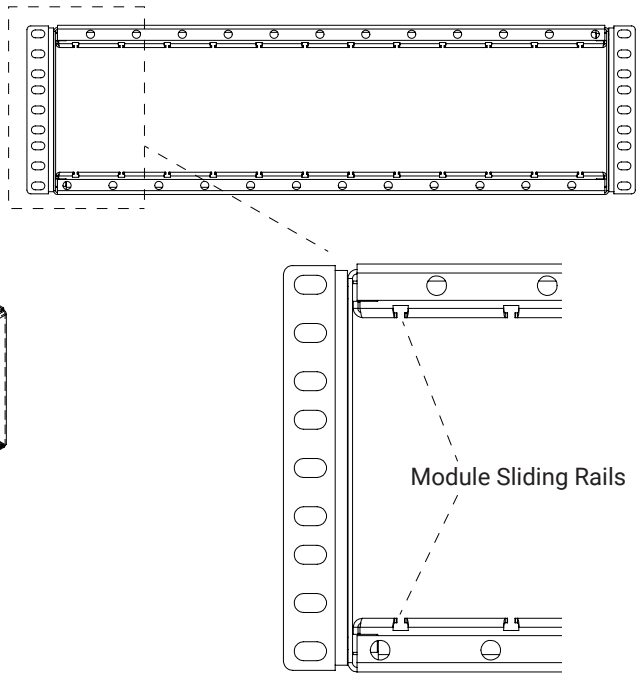
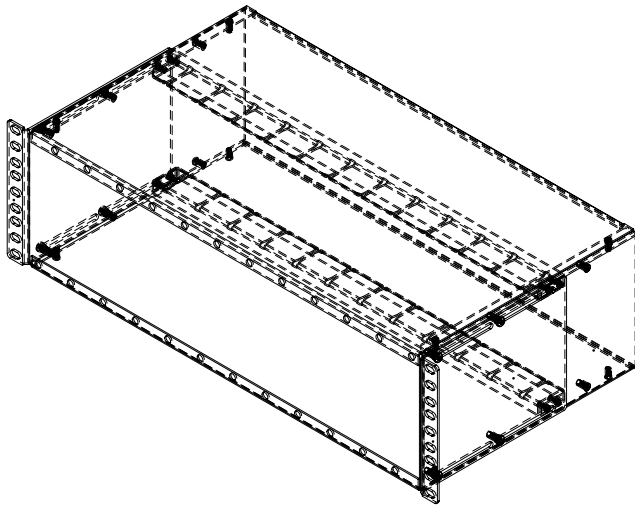
Pigtail Overlength Management on Storage Tray



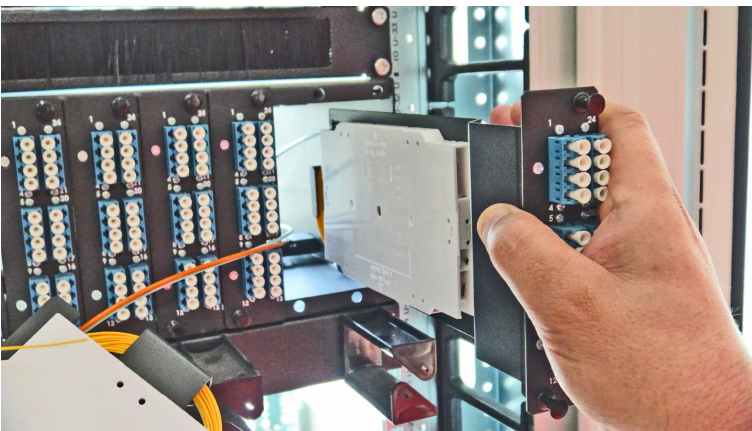
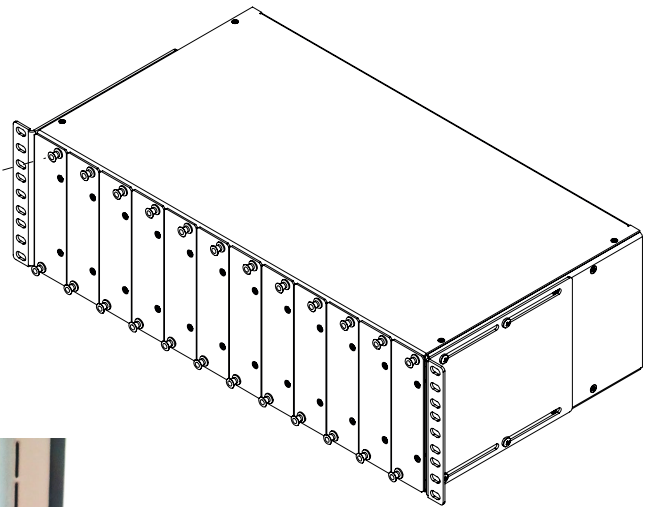
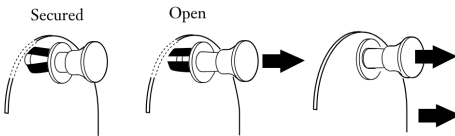
Overlength Management Shelf

Tube Fixation

Module Mounting Sliding Mechanism



Module Mounting with Snap-in Rivet Clips



Optional Cable Installation Accessories For Overlength Management Shelf

Picture	Description	Order Code
	1 PC of 2xPG16 Gland Plate 2 PC of PG16 Gland + Nut	OMS-REP_SET_01
	1 PC of 1xPG16+1xPG13,5 Gland Plate 1 PC of PG16 Gland + Nut 1 PC of PG13,5 Gland + Nut	OMS-REP_SET_02
	1 PC of Cable Tie Up Plate	OMS-REP_SET_03
	1 PC of Fan-out Body Holder Plate	OMS-REP_SET_04
	1 PC of Blind Plate	OMS-REP_SET_05

